



2018 - 2019

Product Catalogue
2018 - 2019



Welcome to the 2018/2019 product catalogue



247Lighting is a leading brand of LED Lighting for the Automotive, Commercial Vehicle and Agricultural Trades. Distributed by Group247, **247Lighting** continues to grow from strength to strength throughout Ireland, the UK and Europe. Our regulated and reputable range is both extensive and diverse, developed to meet industry demand. We place great value on **ECE compliance** and on high **IP ratings**, ensuring our products are continually viewed as the best on the market.



Unit 4,
Lakelands Enterprise Centre,
Ballydangan, Athlone,
Co. Roscommon,
N37 H5Y0, Ireland.

IRELAND: 090 9673232

UK: 0121 6474857

INTL: ++353 90 9673232

sales@247lighting.net

www.247lighting.net





247Lighting est une marque leader de l'éclairage LED pour les automobiles, les véhicules commerciaux et les métiers de l'agriculture. Distribué par Group247, 247Lighting continue à se développer de plus en plus forte à travers l'Irlande, le Royaume Unis et l'Europe. Notre vaste gamme de bonne réputation est diversifié et étudié pour satisfaire la demande industrielle. Nous accordons une grande valeur à les normes CEE et les standards élevées d'IP, en assurant que nos produits sont toujours considérés les meilleurs sur le marché.



247Lighting ist eine führende Marke der LED-Beleuchtung für den Automobil-, Lastkraftwagen- und Agrarhandel. Verteilt durch Group247, 247Lighting entwickelt sich weiterhin prächtig in Irland, Großbritannien und Europa. Unser reguliertes und namhaftes Sortiment ist umfangreich und vielfältig, entwickelt um den strengsten Industriestandards zu entsprechen. Darüber hinaus legen wir auch großen Wert auf die Erfüllung branchenspezifischer ECE-Bedingungen und auf hohen IP-Schutzarten, um sicherzustellen, dass unsere Produkte kontinuierlich als die Besten auf dem Markt angesehen werden.



247Lighting è un insegna leader nel campo dell'illuminazione LED per Auto, Veicoli commerciali e Agricoli. Distribuito dal Gruppo 247, 247Lighting continua a crescere sempre più attraverso Irlanda, Regno Unito ed Europa. La nostra linea di prodotti è vasta e diversificata, studiata per venire incontro a fabbisogni industriali. Noi poniamo grande valore nel rispetto delle normative CEE ed in alti standard IP, assicurandoci che i nostri prodotti siano continuamente visti come i migliori sul mercato.



247Lighting es una marca líder en el sector de la iluminación LED para automóviles, vehículos comerciales y el comercio agrícola. Distribuido por Group247, 247Lighting sigue creciendo con fuerza a través de Irlanda, el Reino Unido y Europa. Nuestra gama de productos, de alta reputación y bien regulada, es extensa, amplia y diversa. Nuestros productos se han desarrollado especialmente para satisfacer los estándares cada vez más exigentes de la industria y para garantizar el cumplimiento de las normas de la industria. Además, damos mucha importancia al cumplimiento de las normas de la Comisión Económica para Europa (CEPE) y los altos grados de protección IP, para asegurar que nuestros productos están considerados como los mejores productos del mercado.



Symbols



European Commission for Europe certifies products in accordance with ECE regulations.



Surface Mount Diode. Mounted light LED chips, consume very little energy & omit bright light.



This product is 180° turnable.



Digital Video Recorder features available with this model.



Electromagnetic compatibility certifies products in accordance with EMC requirements.



Xenon is used in lamps that make intense flashes, such as strobe lights.



Reversing Camera Kit with Audio features included.



Monitor is using Touch Screen Technology



European commission for Europe approved Regulation 65.



Chip On Board brighter LED with 30% more efficiency.



Reversing Camera Kit with Audio features **NOT** included.



This product is fully rechargeable via USB.



Light Emitting Diode UP to 80% more efficient than standard bulbs.



Bulb Technology used.



Reversing Camera Kit can take up to * (2/4) set number of cameras.



This product is rechargeable.



Super bright Light Emitting Diode.



Denotes the number of flash patterns.



Reversing Camera Kit is using wireless technology.



Denotes the number of LEDs present in the product.



The light distribution from this product is 360°.



Remote Control is available with this model of Reversing Camera Kit.

Table of Contents

Merchandisers

| | |
|---|----|
| 247 Lighting Stand (1280mm) | 07 |
| 247 Electrical Stand (1280mm) | 08 |
| 247 Combi Stand (1280mm) | 09 |
| 247 LED Merchandiser (700mm) | 10 |
| 247 Electrical Merchandiser (700mm) | 10 |
| 247 Display Stands | 11 |
| 247 Handy Packs | 12 |

Beacons & Lightbars

| | |
|--|-------|
| Reg 65 LED Beacons | 14-16 |
| Reg 65 SMD Beacons | 17-18 |
| Mini LED / Xenon Beacons | 19-20 |
| LED Beacons | 21-23 |
| Rotating Beacons (Halogen) | 24 |
| Adaptors | 25 |
| Resistors | 25 |
| Extras (Accessories) | 25 |
| LED Lightbar (Mini Master) | 26 |
| Reg 65 LED Lightbar (Mini Master) | 27 |
| Reg 65 LED Lightbar (Eclipse) | 28-29 |
| LED Lightbar w/ Alley Lights (New) | 30 |
| Resistors | 20 |
| Reg 65 Rotating Lightbar | 31 |

Warning Lights

| | |
|--------------------------|-------|
| LED Warning Lights | 32-36 |
|--------------------------|-------|

Work Lamps

| | |
|---------------------------------|-------|
| Mini Work Lamps | 38-39 |
| 4" Work Lamps | 40-43 |
| 5" Work Lamps | 44 |
| 6" Work Lamps | 44-46 |
| Rubber Housing Work Lamps | 47 |
| Adventure Work Lamps | 48-49 |
| Explorer Work Lamps | 50 |

Tail Lamps

| | |
|----------------------------------|-------|
| Multifunctional Tail Lamps | 51-64 |
| Marker Lamps | 65-67 |
| Stalk Lamps | 68-71 |
| Number Plate Lamps | 72 |

Trailer Boards

| | |
|-----------------------------------|----|
| Trailer Boards..... | 73 |
| LED Trailer Boards..... | 73 |
| Magnetic Trailer Lights | 74 |
| LED Magnetic Trailer Lights | 74 |

Interior Lights

| | |
|-----------------------------------|-------|
| Round Interior Lights | 76 |
| Rectangular Interior Lights | 77-78 |
| Swivel Lights | 79 |
| Corner Interior Light | 80 |

LED Lead / Flood Lights

| | |
|------------------------|----|
| LED Lead Lights | 81 |
| LED Flood Lights | 82 |

247 SAFETY 83

Reversing Aids

| | |
|-------------------------------------|-------|
| No Audio Reversing Camera Kit | 84 |
| Wireless Reversing Camera Kit | 85 |
| 5" Colour Monitor | 86 |
| Warning Devices | 86 |
| Mirrors | 87-90 |

247 ELECTRICAL 91

Electrical Components

| | |
|--------------------------------------|---------|
| Plugs & Sockets | 93-96 |
| Automotive / Starter Cable..... | 97-98 |
| Cable Accessories / Cable Ties | 99-100 |
| Wiring Accessories | 101-102 |
| Fuses | 103-104 |
| Fuse Holders | 105 |
| Booster Cable | 106 |
| Battery Connectors | 107-108 |
| Electrical Switches (New) | 109-118 |
| Warning Lights | 118 |

“

Our consideration for branding is what sets us apart from our competitors. We have developed packaging which ensures 247lighting products market themselves.

”

trade packaging

This packaging is suitable for resale into trade customers that can accept larger pack quantities.

blister packaging

Our blister packaging is for the larger electrical items within our range. They are all barcoded and ready for retail display. This packaging is often prefixed by the letters BL. These products are suitable for any of our retail stands.

handy packs

The Handy Packs are for the smaller electrical items within our range. They are all barcoded and ready for retail display. These Products are suitable for our Handy Packs Stand.

display boxes

Many items have their own individual counter display boxes. This maximises the counter display for the retailer, allowing the product to be easily accessible to the customer.



merchandisers

Mechandisers to fit all our customer needs, from small & compact to larger wall displays.

In addition to optimising your shop floor space, these stands display the products effectively, highlighting their benefits and features.

All merchandisers fit together creating an impressive display for any shop unit.

The following pages illustrate the various merchandisers now available including our two working display models.

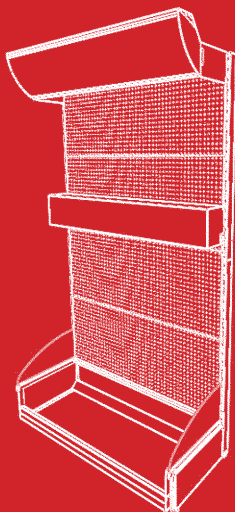
247 MERCHANDISER SPECIFICATIONS

CA 9972

Lighting Stand

W128cm x H233cm x D55cm

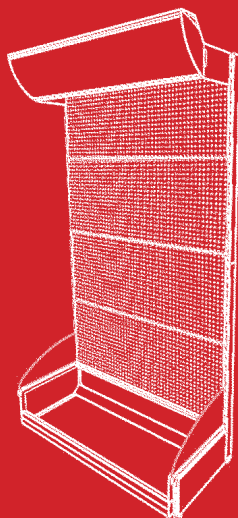
(Includes working Display Unit)



CA 9920

Electrical Stand

W128cm x H233cm x D55cm

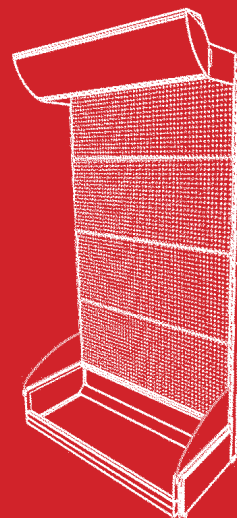


CA 9940

Combi Stand

W128cm x H233cm x D55cm

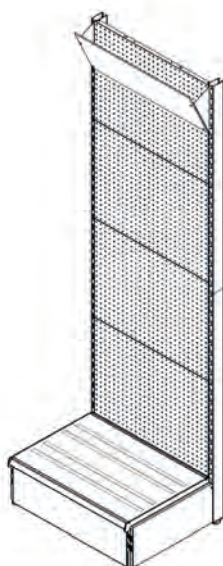
(Includes working Display Unit)



CA 9916 (Mini Display)

247 Electrical Merchandiser

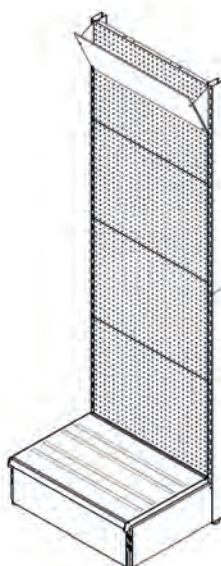
W70cm x H224cm x D55cm



CA 9914 (Mini Display)

247 LED Merchandiser

W70cm x H224cm x D55cm



Allows for optimisation of space.

Presents products in an appealing and attractive display.

Utilizes working display unit for visual demonstration, highlighting their features and benefits.

Educates the customer about products in an effective and creative way.

Related products are easily located, making it easier for customers to self-select.

1280mm Stand

247 LIGHTING STAND
CA 9972

WORKING
DISPLAY UNIT



2330mm

1280mm

247 Merchandisers

1280mm Stand

247 ELECTRICAL STAND
CA 9920



1280mm

1280mm Stand

247 COMBI STAND
CA 9940

Lighting and Electrical Combination



247 Merchandisers

700mm Stand

247 LED
MERCHANDISER
CA 9914

247 ELECTRICAL
MERCHANDISER
CA 9916

(Sold Separately)



700mm



2340mm

700mm

Display Stands

247 MIRROR DISPLAY STAND

CA 9906

REG 65 BEACON DISPLAY

AP 9903

CAMERA DISPLAY STAND

AP 9851

EXPLORER WORKLAMPS

AP 9902



CA 9906

counter display units



AP 9903



AP 9851



AP 9902

247 Handy Packs



Maintenance in the Palm of your Hand...



👍 ELECTRICAL
CONNECTORS



👍 FASTENERS

👍 GREASING



👍 TUBE FITTINGS

👍 HOSE
CONNECTORS

Part No: AP 1000

*A Little Bit of What You Need
When You Need It ...*

** FULL RANGE OF PRODUCT AVAILABLE ON REQUEST



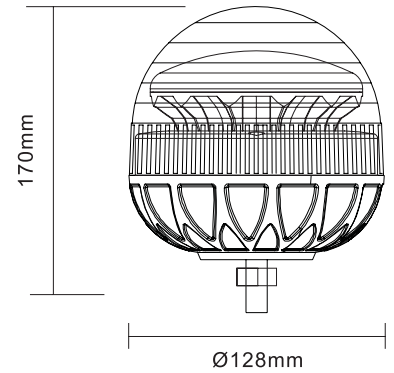
Beacons
Lightbars
Warning Lights

REG 65 LED Beacons

COMPACT

LED SINGLE BOLT BEACON

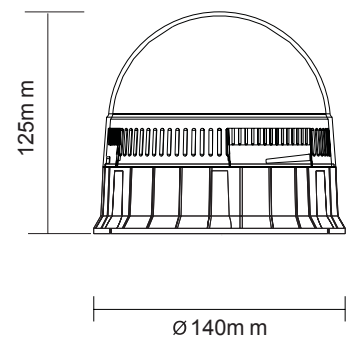
CA 7062



COMPACT

LED THREE BOLT BEACON

CA 7065

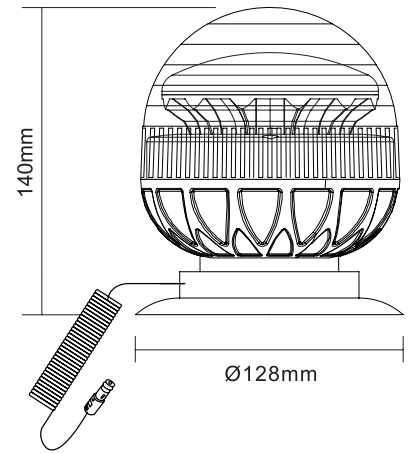


| Product Code | Voltage | ECE Reg | EMC | IP | LED | Flash Patterns | Lens Material | Base Material | Watt | Operation Temperature |
|--------------|---------|---------|-----|------|-----|----------------|---------------|---------------|------|-----------------------|
| CA 7062 | 12-24v | 10 / 65 | ✓ | IP56 | 12 | 3 | Polycarbonate | ABS | 36W | -20°C - +50°C |
| CA 7065 | 12-24v | 10 / 65 | ✓ | IP56 | 12 | 3 | Polycarbonate | ABS | 36W | -20°C - +50°C |

COMPACT

LED MAGNETIC BEACON

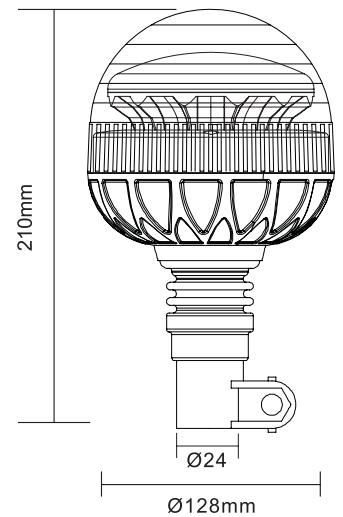
CA 7063



COMPACT

LED POLE MOUNT BEACON

CA 7064



| Product Code | Voltage | ECE Reg | EMC | IP | LED | Flash Patterns | Lens Material | Base Material | Watt | Operation Temperature |
|--------------|---------|---------|-----|------|-----|----------------|---------------|---------------|------|-----------------------|
| CA 7063 | 12-24v | 10 / 65 | ✓ | IP56 | 12 | 3 | Polycarbonate | ABS | 36W | -20°C - +50°C |
| CA 7064 | 12-24v | 10 / 65 | ✓ | IP56 | 12 | 3 | Polycarbonate | ABS | 36W | -20°C - +50°C |

**Magnetic Beacon: Rated To 110-120 KPH / May detach at speeds above those indicated

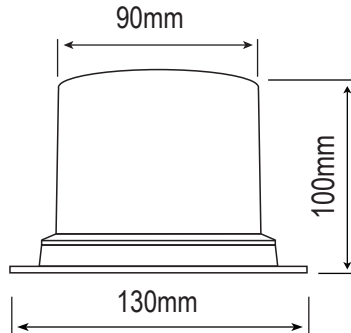
REG 65 LED Beacons

COMPACT

LED THREE BOLT BEACON

SEALED LENS

CA 7045

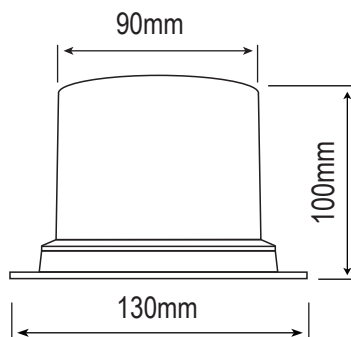


COMPACT

LED MAGNETIC BEACON**

SEALED LENS

CA 7043



| Product Code | Voltage | ECE Reg | EMC | IP | LED | Flash Patterns | Lens Material | Base Material | Watt | Operation Temperature |
|--------------|---------|---------|-----|------|-------|----------------|---------------|---------------|------|-----------------------|
| CA 7045 | 10-30v | 10 / 65 | ✓ | IP67 | Amber | 8 | Polycarbonate | Aluminium | 18W | -40°C - +50°C |
| CA 7043 | 10-30v | 10 / 65 | ✓ | IP67 | Amber | 8 | Polycarbonate | Aluminium | 18W | -40°C - +50°C |

**Magnetic Beacon: Rated To 110-120 KPH / May detach at speeds above those indicated

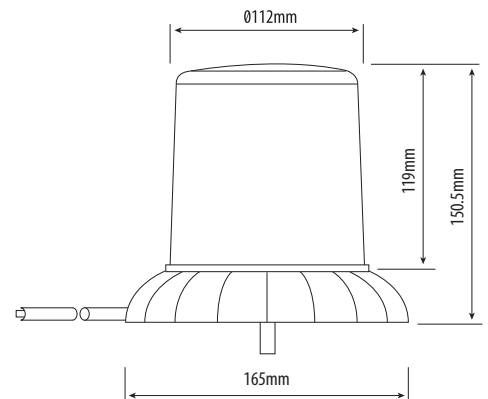
REG 65

SINGLE BOLT BEACON

CA 7052



SEALED LENS



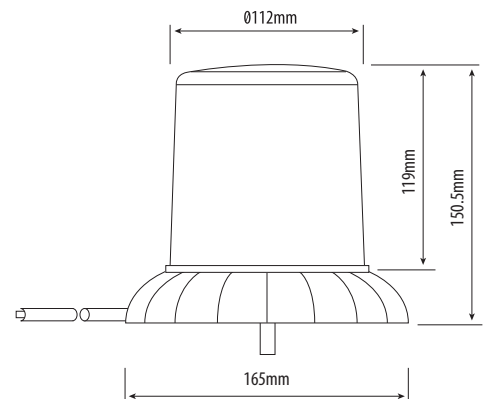
REG 65

THREE BOLT BEACON

CA 7051



SEALED LENS



| Product Code | Voltage | ECE Reg | EMC | IP | LED | Flash Patterns | Lens Material | Base Material | Watt | Operating Temperature |
|--------------|----------|---------|-----|------|----------|----------------|---------------|---------------|---------------------------|-----------------------|
| CA 7052 | 10 / 30v | 10 / 65 | - | IP67 | 32 Amber | 5 | Polycarbonate | ABS | Average: 16w Peak: 28w | -40°C - +65°C |
| CA 7051 | 10 / 30v | 10 / 65 | - | IP67 | 32 Amber | 5 | Polycarbonate | ABS | Average: 16w Peak: 28w | -40°C - +65°C |

REG 65 SMD Beacons

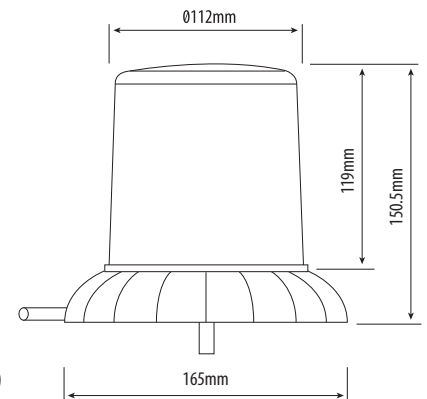
REG 65

MAGNETIC BEACON

CA 7053



SEALED LENS



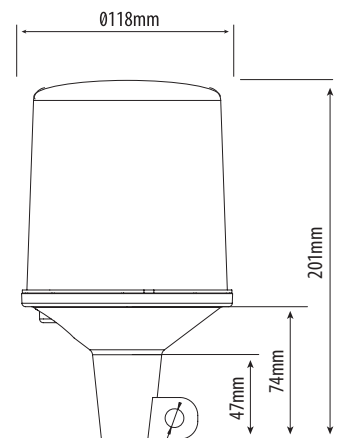
REG 65

POLE BEACON

CA 7054



SEALED LENS



| Product Code | Voltage | ECE Reg | EMC | IP | LED | Flash Patterns | Lens Material | Base Material | Watt | Operating Temperature |
|--------------|----------|---------|-----|------|----------|----------------|---------------|---------------|--------------------------|-----------------------|
| CA 7053 | 10 / 30v | 10 / 65 | - | IP67 | 32 Amber | 5 | Polycarbonate | ABS | Average:16w Peak: 28w | -40°C - +65°C |
| CA 7054 | 10 / 30v | 10 / 65 | - | IP67 | 32 Amber | 1 | Polycarbonate | ABS | Average:16w Peak: 28w | -40°C - +65°C |

**Magnetic Beacon: Rated To 110-120 KPH / May detach at speeds above those indicated

MINI

TWO BOLT BEACONS (LED)

CA 7505LED

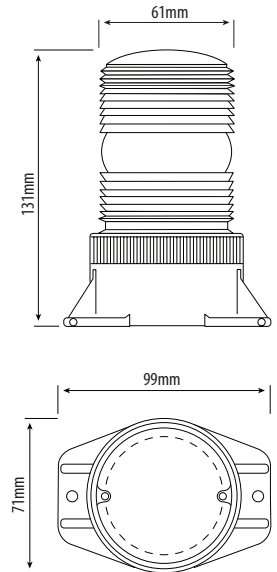


TWO BOLT BEACONS (XENON)

CA 7505



EPOXY RESIN POTTED



MINI

THREE BOLT BEACONS (LED)

CA 7500LED



THREE BOLT BEACONS (XENON)

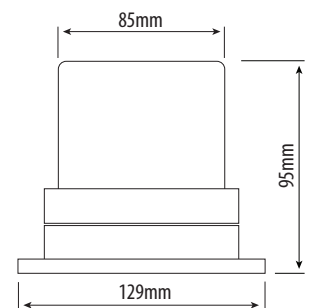
CA 7500

Optional Green Lens

CA 7554GR



EPOXY RESIN POTTED (CA 7500LED ONLY)



| Product Code | Voltage | ECE Reg | EMC | IP | LED | Light Source | Flash Patterns | Lens Material | Base Material | Watt | Operation Temperature |
|--------------|---------|---------|-----|------|-----|--------------|----------------|---------------|---------------|------|-----------------------|
| CA 7505LED | 12-24v | Reg 10 | ✓ | IP56 | 25 | LED | 1 | Polycarbonate | ABS | 5W | -30°C - +50°C |
| CA 7505 | 12-110v | Reg 10 | ✓ | IP56 | - | Xenon | 1 | Polycarbonate | ABS | 2.4W | -30°C - +50°C |
| CA 7500LED | 12-24v | Reg 10 | ✓ | IP56 | 30 | LED | 3 | Polycarbonate | ABS | 9W | -30°C - +50°C |
| CA 7500 | 12-110v | Reg 10 | ✓ | IP56 | - | Xenon | 1 | Polycarbonate | ABS | 2.4W | -30°C - +50°C |

LED / Xenon Beacons

MINI

MAGNETIC BEACONS (LED)

CA 7501LED



MAGNETIC BEACONS (XENON)

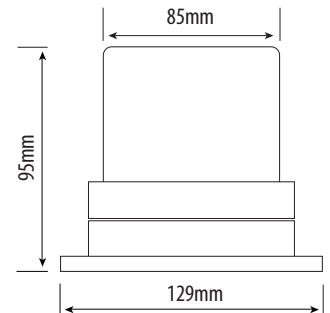
CA 7501



Optional Green Lens

CA 7554GR

EPOXY RESIN POTTED (CA 7501LED ONLY)



| Product Code | Voltage Reg | ECE | EMC | IP | LED | Light Source | Flash Patterns | Lens Material | Base Material | Watt | Operation Temperature |
|--------------|-------------|--------|-----|------|-----|--------------|----------------|---------------|---------------|------|-----------------------|
| CA 7501LED | 12-24v | Reg 10 | ✓ | IP56 | 25 | LED | 3 | Polycarbonate | ABS | 9W | -30°C - +50°C |
| CA 7501 | 12-24 v | Reg 10 | ✓ | IP56 | - | Xenon | 1 | Polycarbonate | ABS | 2.4W | -30°C - +50°C |

**Magnetic Beacon: Rated To 110-120 KPH / May detach at speeds above those indicated



COMPACT

LED MAGNETIC BEACON

CA 6053C



Optional Green Lens

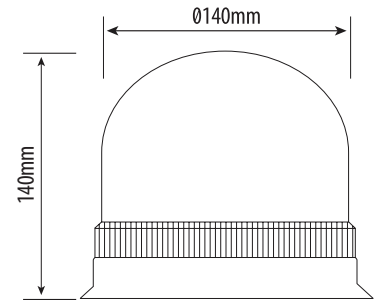
CA 7556GR

Optional Red Lens

CA 7556RD



EPOXY RESIN POTTED



COMPACT

LED POLE MOUNT BEACON

CA 6054C



Optional Green Lens

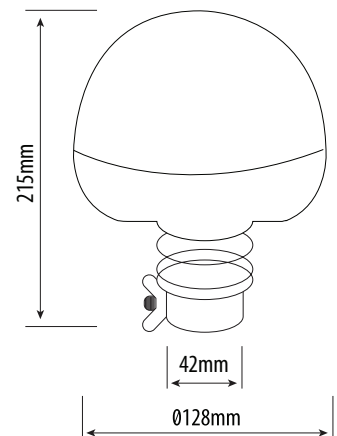
CA 7556GR

Optional Red Lens

CA 7556RD



EPOXY RESIN POTTED



| Product Code | Voltage | ECE Reg | EMC | IP | LED | Flash Patterns | Lens Material | Base Material | Watt | Operation Temperature |
|--------------|---------|---------|-----|------|-----|----------------|---------------|---------------|------|-----------------------|
| CA 6053C | 12-24v | Reg 10 | ✓ | IP56 | 40 | 3 | Polycarbonate | ABS | 8W | -30°C - +50°C |
| CA 6054C | 12-24v | Reg 10 | ✓ | IP56 | 40 | 3 | Polycarbonate | ABS | 8W | -30°C - +50°C |

**Magnetic Beacon: Rated To 110-120 KPH / May detach at speeds above those indicated

LED Beacons

COMPACT

LED SINGLE BOLT BEACON

CA 6052C



Optional Green Lens

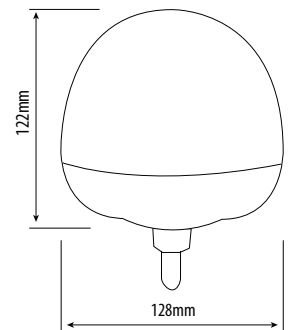
CA 7556GR

Optional Red Lens

CA 7556RD



EPOXY RESIN POTTED



STANDARD

LED SINGLE BOLT BEACON

CA 6056C

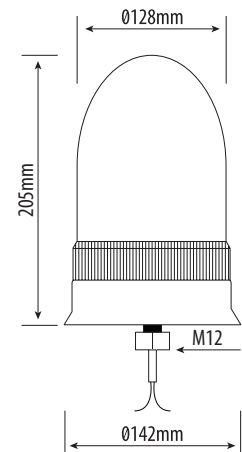


Optional Green Lens

CA 7552GR



EPOXY RESIN POTTED



| Product Code | Voltage | ECE Reg | EMC | IP | LED | Flash Patterns | Lens Material | Base Material | Watt | Operation Temperature |
|--------------|----------|---------|-----|------|-----|----------------|---------------|---------------|------|-----------------------|
| CA 6052C | 12-24 v | Reg 10 | ✓ | IP56 | 40 | 3 | Polycarbonate | ABS | 8W | -30°C - +50°C |
| CA 6056C | 12 - 24v | Reg 10 | ✓ | IP56 | 80 | 3 | Polycarbonate | ABS | 18W | -30°C - +50°C |

STANDARD

LED THREE BOLT BEACON

CA 6055C

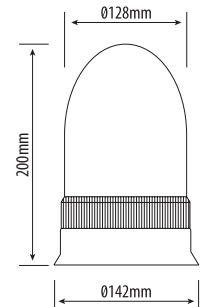


Optional Green Lens

CA 7552GR



EPOXY RESIN POTTED



STANDARD

LED MAGNETIC BEACON**

CA 6057C

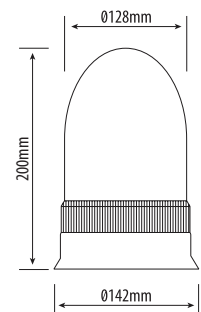


Optional Green Lens

CA 7552GR



EPOXY RESIN POTTED



STANDARD

LED POLE MOUNT BEACON

CA 6058C

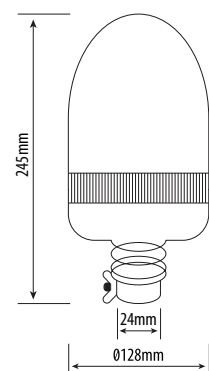


Optional Green Lens

CA 7553GR



EPOXY RESIN POTTED



| Product Code | Voltage | ECE Reg | EMC | IP | LED | Flash Patterns | Lens Material | Base Material | Watt | Operating Temperature |
|--------------|----------|---------|-----|------|-----|----------------|---------------|---------------|------|-----------------------|
| CA 6055C | 12 - 24v | Reg 10 | ✓ | IP56 | 80 | 3 | Polycarbonate | ABS | 18W | -30°C - +50°C |
| CA 6057C | 12 - 24v | Reg 10 | ✓ | IP56 | 80 | 3 | Polycarbonate | ABS | 18W | -30°C - +50°C |
| CA 6058C | 12 - 24v | Reg 10 | ✓ | IP56 | 40 | 3 | Polycarbonate | ABS | 8W | -30°C - +50°C |

**Magnetic Beacon: Rated To 110-120 KPH / May detach at speeds above those indicated

Rotating Beacons (Halogen)

STANDARD

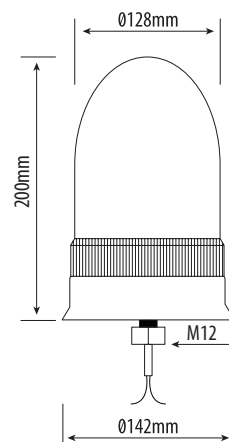
SINGLE BOLT ROTATING

CA 2040C



Optional Green Lens

CA 7552GR



STANDARD

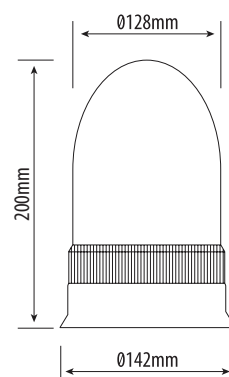
MAGNETIC ROTATING**

CA 2045C



Optional Green Lens

CA 7552GR



STANDARD

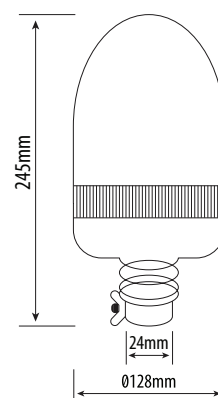
POLE MOUNT ROTATING

CA 2050C



Optional Green Lens

CA 7553GR

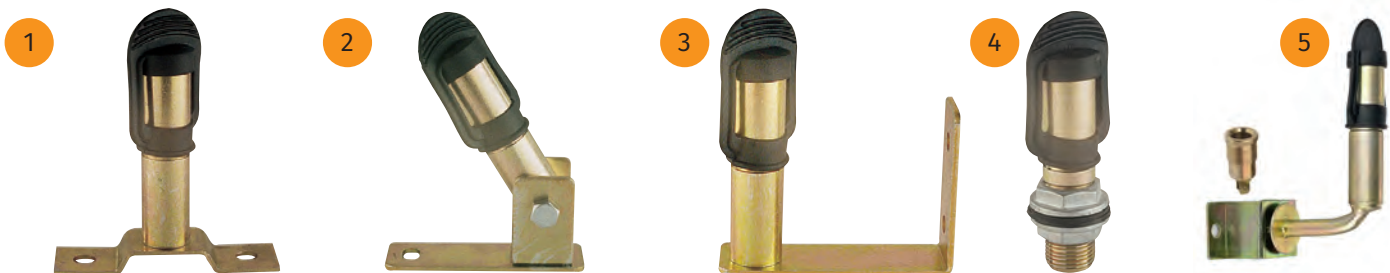


| Product Code | Voltage | ECE Reg | EMC | IP | Light Source | Lens Material | Base Material | Motor | Watt | Operating Temperature |
|--------------|----------|---------|-----|------|--------------|---------------|---------------|-------------|--------|-----------------------|
| CA 2040C | 12 - 24v | 10 / 65 | ✓ | IP56 | H1 Halogen | Polycarbonate | ABS | Belt Driven | 55/70W | -30°C - +50°C |
| CA 2045C | 12 - 24v | 10 / 65 | ✓ | IP56 | H1 Halogen | Polycarbonate | ABS | Belt Driven | 55/70W | -30°C - +50°C |
| CA 2050C | 12 - 24v | 10 / 65 | ✓ | IP56 | H1 Halogen | Polycarbonate | ABS | Gear Driven | 55/70W | -30°C - +50°C |

**Magnetic Beacon: Rated To 110-120 KPH / May detach at speeds above those indicated

ADAPTORS

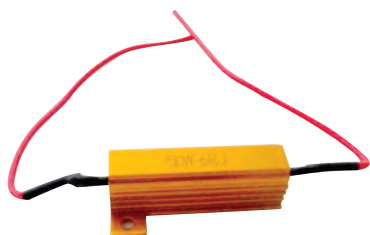
BEACON POLE MOUNT ADAPTORS



| Product Code | Fixing | Profile | Type |
|--------------|--------|----------|-------------|
| 1 CA 6600A | 2 Bolt | 'T' Type | Fixed |
| 2 CA 6601A | 1 Bolt | 'L' Type | Collapsible |

| Product Code | Fixing | Profile | Type |
|--------------|---------------|----------|----------------|
| 3 CA 6602A | 2 Bolt | 'L' Type | Fixed |
| 4 CA 6603A | Screw-In | 'L' Type | Fixed w/Thread |
| 5 CA 6604A | Spring Loaded | 'L' Type | Fixed w/Thread |

RESISTORS



| Product Code | Voltage | Watt | Size |
|--------------|---------|------|---------|
| CA 6061 | 12V | 50W | 20*50mm |
| CA 6062 | 24V | 50W | 20*50mm |



Low Power Consumption Resistor

| Product Code | Voltage | Watt | Size | Base Material | Operational Temperature |
|--------------|---------|--------|------------|---------------|-------------------------|
| CA 7055 | 12V | 15.96W | 87*45*30mm | Alum. Alloy | 68°C |
| CA 7056 | 24V | 16.08W | 87*45*30mm | Alum. Alloy | 68°C |

EXTRAS



| Code | Description |
|-------------|---|
| 1 CA 317 | Cigarette Plug c/w Switch - Multiple Flash Patterns |
| 2 BLCA 319* | Cigarette Plug / no switch - Single Flash Patterns |

| Code | Description |
|----------|---|
| 3 CA 770 | Illuminated Cigarette Plug & Socket (Fits: 28mm) |
| 4 CA 313 | Cigar Plug c/w 2.5mtr Cable & Switch - Multiple Flash |

*This item is Blister Packed & barcoded ready for resale. To purchase this item in bulk without packaging please use the same part no. without the "BL" prefix.

LED Lightbars

STANDARD

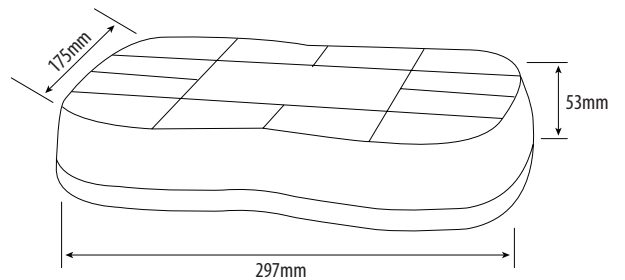
LED MINI MASTER (BOLT - ON)

CA 7626C



LED MINI MASTER (MAGNETIC)

CA 7627C



** SEE EXTRAS / REPLACEMENTS AVAILABLE FOR THESE PRODUCTS on page 25

| Product Code | Voltage | ECE Reg | EMC | IP | LED | Flash Patterns | Lens Material | Base Material | Base Fixing | Watt | Operation Temperature |
|--------------|----------|---------|-----|------|-----|----------------|---------------|---------------|-------------|----------|-----------------------|
| CA 7626C | 12 - 24v | Reg 10 | ✓ | IP65 | 20 | 10 | Polycarbonate | ABS | Bolt-On | 20W Peak | -30°C - +50°C |
| CA 7627C | 12 - 24v | Reg 10 | ✓ | IP65 | 20 | 10 | Polycarbonate | ABS | Magnetic | 20W Peak | -30°C - +50°C |

**Magnetic Beacon: Rated To 110-120 KPH / May detach at speeds above those indicated

REG 65

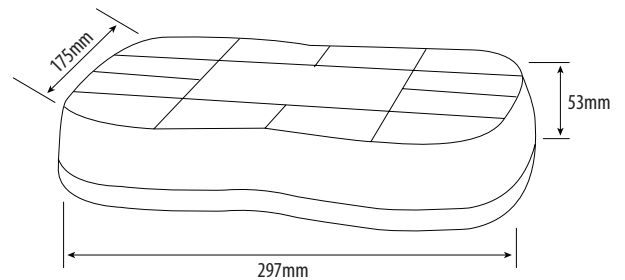
LED MINI MASTER (BOLT - ON)

CA 7634



LED MINI MASTER (MAGNETIC)

CA 7635



** SEE EXTRAS / REPLACEMENTS AVAILABLE FOR THESE PRODUCTS on page 25

| Product Code | Voltage | ECE Reg | EMC | IP | LED | Flash Patterns | Lens Material | Base Material | Base Fixing | Watt | Operation Temperature |
|--------------|---------|----------------------|-----|------|-----|----------------|---------------|---------------|-------------|----------|-----------------------|
| CA 7634 | 12-24v | 10/65 (Single Flash) | ✓ | IP65 | 20 | 10 | Polycarbonate | ABS | Bolt-On | 60W Peak | -30°C - +50°C |
| CA 7635 | 12-24v | 10/65 (Single Flash) | ✓ | IP65 | 20 | 10 | Polycarbonate | ABS | Magnetic | 60W Peak | -30°C - +50°C |

**Magnetic Beacon: Rated To 110-120 KPH / May detach at speeds above those indicated

REG 65 LED Lightbars

REG 65

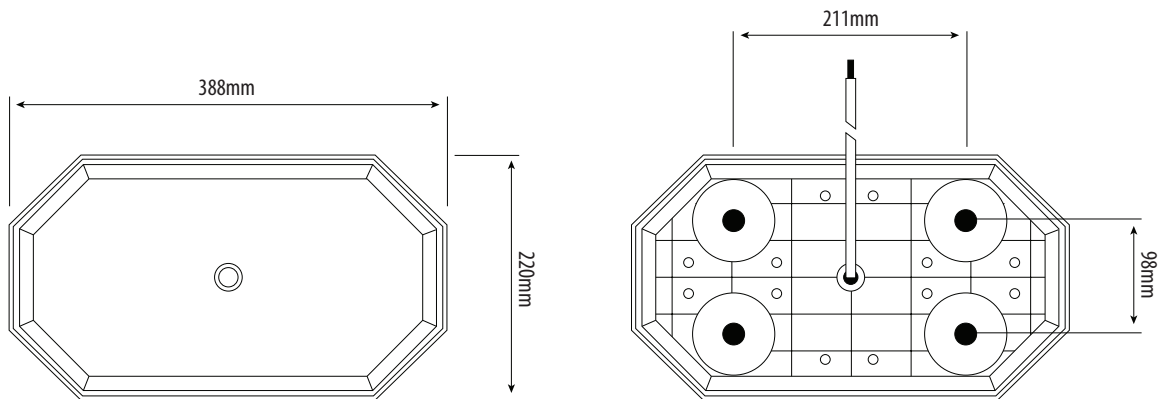
16" LED ECLIPSE

CA 7632B

Bolt Fixing Only
Magnetic Kit Available



(This picture indicates the Lightbar is switched on.)



| Product Code | Voltage | ECE Reg | EMC | IP | LED | Flash Patterns | Lens Material | Base Material | Base Fixing | Watt | Operation Temperature |
|--------------|----------|---------|-----|------|-----|----------------|---------------|---------------|-------------|---------------------------|-----------------------|
| CA 7632B | 12 - 24v | 10/65 | ✓ | IP67 | 56 | 10 | Polycarbonate | ABS | Bolt - On | Average: 13w Peak: 50w | -20°C - +50°C |

CA 7632MAG 4 Pod Magnetic Kit for CA 7632B / 95MPH

CA 313 Replacement cigarette lighter plug comes with 2.5 metre cable

REG 65

27" LED ECLIPSE

CA 7630

STANDING LEGS

CA 7629



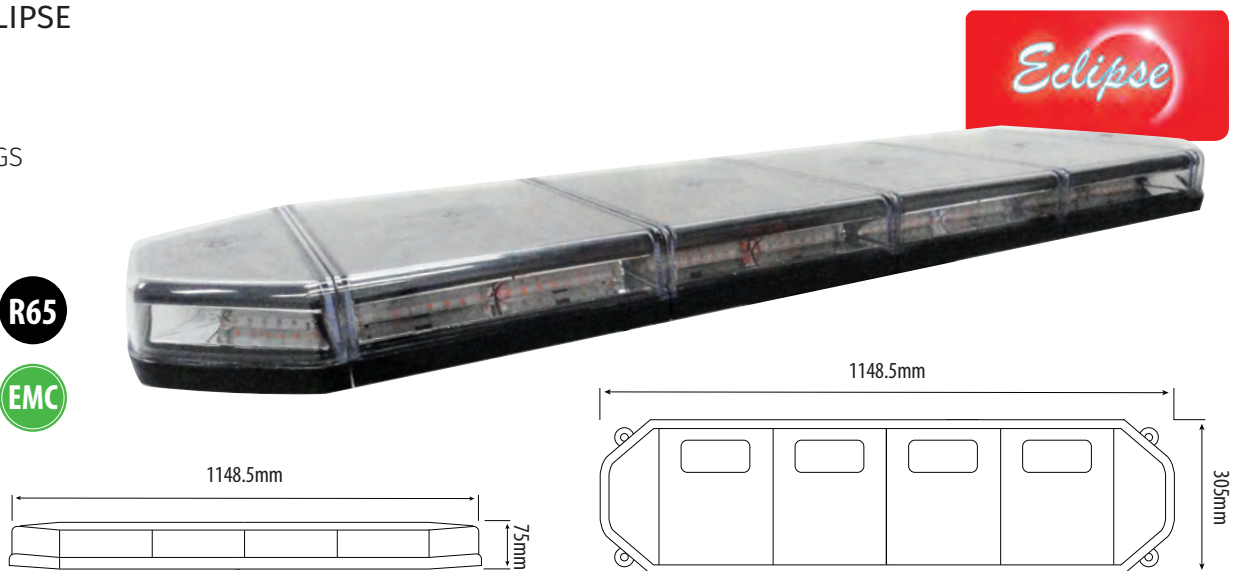
REG 65

46" LED ECLIPSE

CA 7628

STANDING LEGS

CA 7629



| Product Code | Voltage | ECE Reg | EMC | IP | LED | Flash Patterns | Lens Material | Base Material | Base Fixing | Watt | Operation Temperature |
|--------------|---|---------|-----|------|-------|----------------|---------------|---------------|-------------|------|-----------------------|
| CA 7630 | 12 - 24v | 10/65 | ✓ | IP67 | 100 | 10 | Polycarbonate | ABS | Bolt | 79w | -20°C - +50°C |
| | | | | | Amber | | Clear | | Bracket | | |
| CA 7628 | 12 - 24v | 10/65 | ✓ | IP67 | 164 | 10 | Polycarbonate | ABS | Bolt | 127w | -20°C - +50°C |
| | | | | | Amber | | Clear | | Bracket | | |
| CA 7629 | Extra standing legs / set of two | | | | | | | | | | |
| CA 313 | Replacement cigarette lighter plug comes with 2.5 metre cable | | | | | | | | | | |

LED Lightbars

REG 65

LED LIGHT BAR AMBER 30"

CA 7646

LED LIGHT BAR AMBER 40"

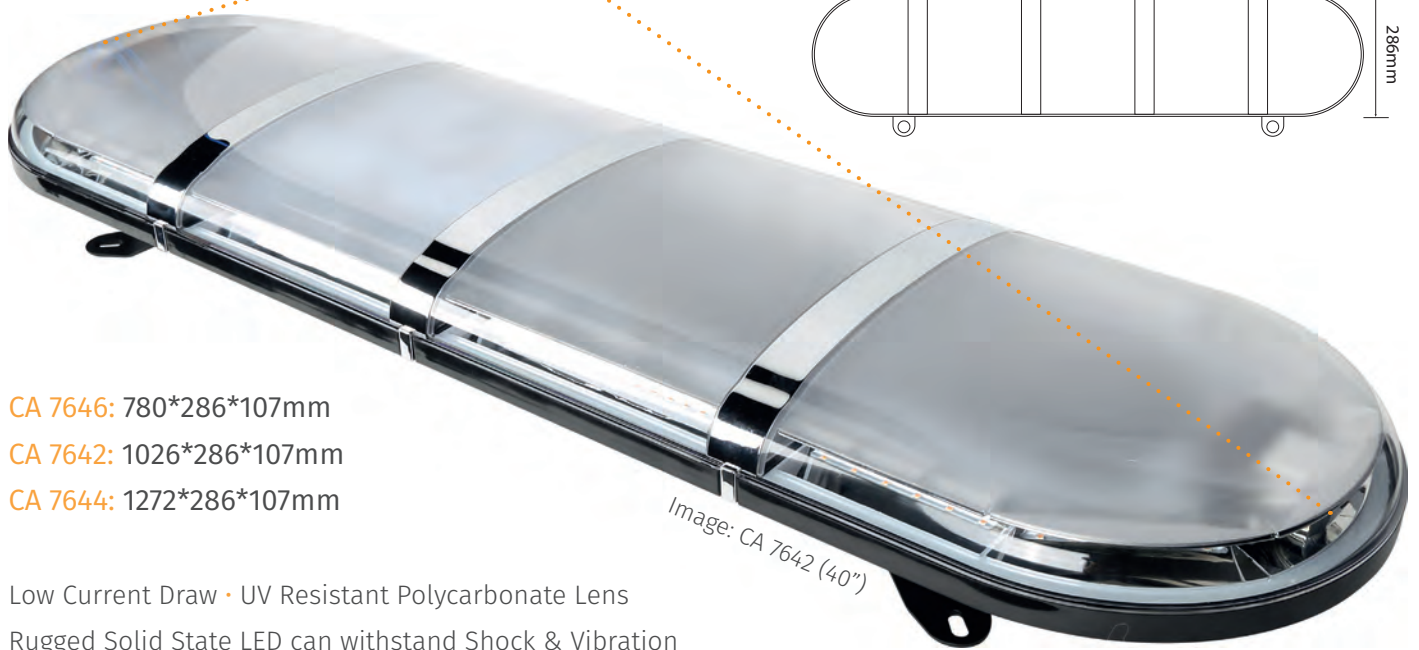
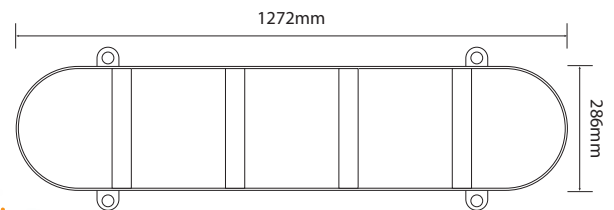
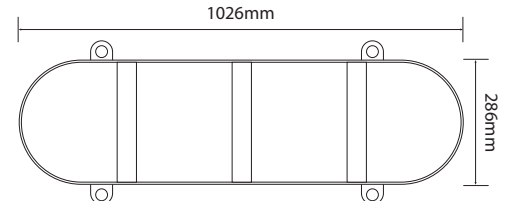
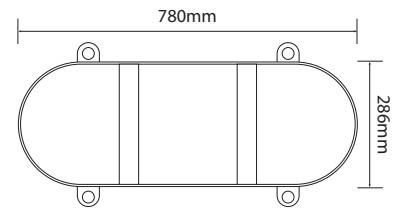
CA 7642

LED LIGHT BAR AMBER 50"

CA 7644



ALLEY LIGHTS
FITTED AT
EACH END



CA 7646: 780*286*107mm

CA 7642: 1026*286*107mm

CA 7644: 1272*286*107mm

Image: CA 7642 (40")

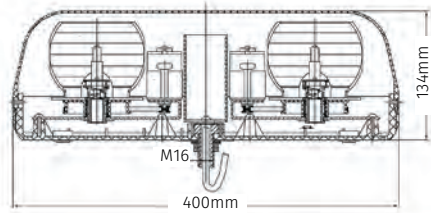
Low Current Draw · UV Resistant Polycarbonate Lens
Rugged Solid State LED can withstand Shock & Vibration

| Product Code | Voltage | ECE Reg | EMC | IP | LED | Flash Patterns | Lens Material | Housing Material | Base Fixing | Watt | Operation Temperature |
|--------------|----------|---------|-----|------|-----|----------------|-------------------------------|-----------------------|-------------|------|-----------------------|
| CA 7646 | 12 - 24v | 10 | - | IP56 | 94 | 9 | UV Resistant Polycarbonate | Die Cast Aluminium | Bolt Mount | 61 | -20°C - +80°C |
| CA 7642 | 12 - 24v | 10 | - | IP56 | 126 | 9 | UV Resistant Polycarbonate | Die Cast Aluminium | Bolt Mount | 76 | -20°C - +80°C |
| CA 7644 | 12 - 24v | 10 | - | IP56 | 158 | 9 | UV Resistant Polycarbonate | Die Cast Aluminium | Bolt Mount | 91 | -20°C - +80°C |

REG 65

16" COMPACT ROTATING LIGHTBAR

CA 6005



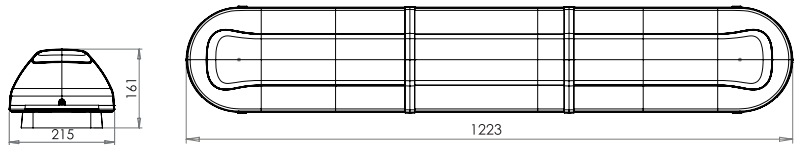
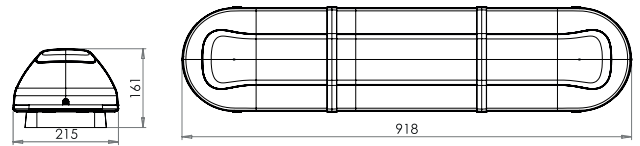
REG 65

36" ROTATING LIGHTBAR

CA 6008

48" ROTATING LIGHTBAR

CA 6012



CA 6008: 918*211*125mm

CA 6012: 1220*211*125mm

2 Rotating Heads · Illuminated Centre

2.5 Metre Multicore Cable

Reverse Polarity Protection



| Product Code | Voltage | ECE Reg | EMC | IP | Bulb | Flash Rate p/m | Lens Material | Base Material | Base Fixing | Operation Temperature |
|--------------|----------|---------|-----|------|-------|----------------|---------------------|---------------|-------------|-----------------------|
| CA 6005 | 12 - 24v | 65 | - | IP56 | White | 180 | Amber Polycarbonate | - | Bolt - On | -30°C - +50°C |
| CA 6008 | 12 - 24v | 10/65 | ✓ | - | White | 180 | Amber Polycarbonate | Alum | Bolt - On | -30°C - +50°C |
| CA 6012 | 12 - 24v | 10/65 | ✓ | - | White | 180 | Amber Polycarbonate | Alum | Bolt - On | -30°C - +50°C |

Warning Lights

REG 65

LED DIRECTIONAL LIGHT (AMBER / REG 65)

CA 6082A

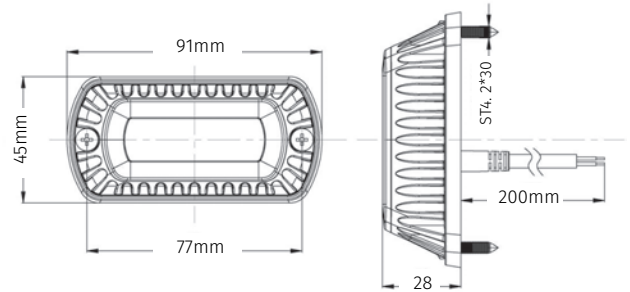


LED DIRECTIONAL LIGHT (RED / REG 10)

CA 6082R

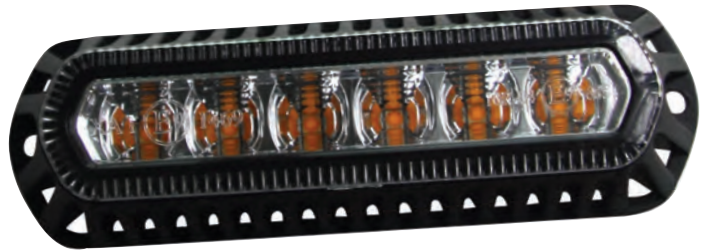
LED DIRECTIONAL LIGHT (WHITE / REG 10)

CA 6082W



LED DIRECTIONAL LIGHT (AMBER / REG 65)

CA 6084

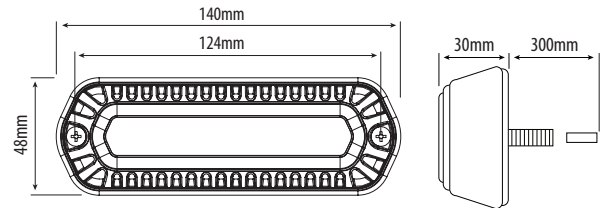


LED DIRECTIONAL LIGHT (RED / REG 10)

CA 6084R

LED DIRECTIONAL LIGHT (WHITE / REG 10)

CA 6084W

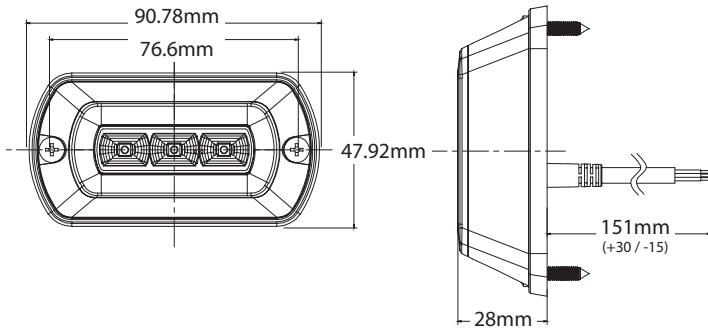


| Product Code | Voltage | ECE Reg | EMC | IP | LED | Flash Patterns | Lens Material | Base Material | Base Fixing | Watt | Operation Temperature |
|--------------|----------|---------|-----|------|---------|----------------|---------------|---------------|---------------|------|-----------------------|
| CA 6082A | 10 - 30v | 10 / 65 | ✓ | IP67 | 3 Amber | 9 | Polycarbonate | Polycarbonate | Surface Mount | 9W | -45°C - +65°C |
| CA 6082R | 10 - 30v | 10 | ✓ | IP67 | 3 Red | 9 | Polycarbonate | Polycarbonate | Surface Mount | 9W | -45°C - +65°C |
| CA 6082W | 10 - 30v | 10 | ✓ | IP67 | 3 White | 9 | Polycarbonate | Polycarbonate | Surface Mount | 9W | -45°C - +65°C |
| CA 6084 | 10-30v | 10 / 65 | ✓ | IP67 | 6 Amber | 10 | Polycarbonate | Die Cast Alum | Bolt-On | 18w | -40°C - +65°C |
| CA 6084R | 10-30v | 10 | ✓ | IP67 | 6 Red | 10 | Polycarbonate | Die Cast Alum | Bolt-On | 18w | -40°C - +65°C |
| CA 6084W | 10-30v | 10 | ✓ | IP67 | 6 White | 10 | Polycarbonate | Die Cast Alum | Bolt-On | 18w | -40°C - +65°C |

REG 65

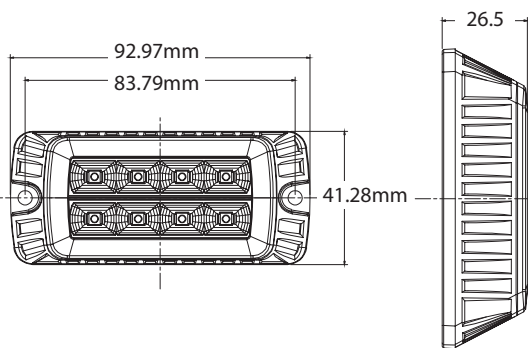
3 LED WARNING LIGHT (AMBER / REG 65)

CA 6082



8 LED WARNING LIGHT

CA 7083A



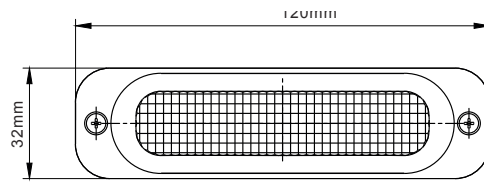
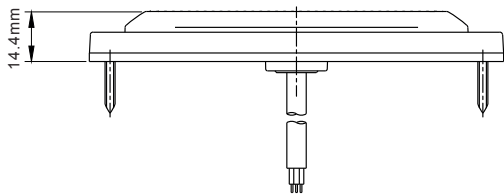
| Product Code | Voltage | ECE Reg | EMC | IP | LED | Flash Patterns | Lens Material | Base Material | Base Fixing | Watt | Operation Temperature |
|--------------|----------|---------|-----|--------|---------|----------------|---------------|---------------|---------------|------|-----------------------|
| CA 6082 | 10 - 30v | 10 / 65 | ✓ | IP6K9K | 3 Amber | 9 | Polycarbonate | Polycarbonate | Surface Mount | 9W | -45°C - +65°C |
| CA 7083A | 10 - 30v | 10 / 65 | ✓ | IP67 | 8 Amber | 9 | Polycarbonate | Polycarbonate | Surface Mount | 24W | -35°C - +65°C |

Warning Lights

REG 65

LED WARNING LIGHT

CA 7084



| Product Code | Voltage | ECE Reg | EMC | IP | LED | Flash Patterns | Lens Material | Base Material | Base Fixing | Watt | Operation Temperature |
|--------------|----------|---------|-----|------|---------|----------------|---------------|---------------|---------------|------|-----------------------|
| CA 7084 | 10 - 30v | 10 / 65 | ✓ | IP67 | 6 Amber | 10 | Polycarbonate | Aluminium | Surface Mount | 18W | -40°C - +60°C |

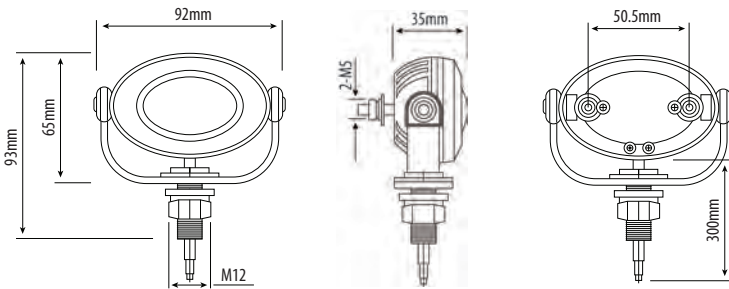


REG 65

OVAL DIRECTIONAL LAMP (AMBER / REG 65)

CA 5711

Bracket Fixing



SMD LED

LED DIRECTIONAL LIGHT (AMBER)

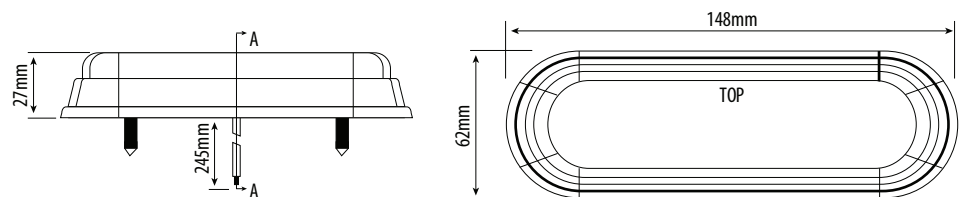
CA 6079

LED DIRECTIONAL LIGHT (RED)

CA 6079R

LED DIRECTIONAL LIGHT (WHITE)

CA 6079W



| Product Code | Voltage | ECE Reg | EMC | IP | LED | Flash Patterns | Lens Material | Base Material | Base Fixing | Watt | Operation Temperature |
|--------------|----------|---------|-----|------|-----|----------------|---------------|----------------|---------------|------|-----------------------|
| CA 5711 | 12 - 24v | 10 / 65 | ✓ | IP67 | 3 | 6 | Polycarbonate | Die Cast Alum. | Bracket Mount | 9w | -40°C - +65°C |
| CA 6079 | 12 - 24v | 10 | ✓ | IP67 | 12 | 18 | Polycarbonate | ABS | Bolt-On | 6W | -30°C - +65°C |
| CA 6079R | 12 - 24v | 10 | ✓ | IP67 | 12 | 18 | Polycarbonate | ABS | Bolt-On | 6W | -30°C - +65°C |
| CA 6079W | 12 - 24v | 10 | ✓ | IP67 | 12 | 18 | Polycarbonate | ABS | Bolt-On | 6W | -30°C - +65°C |

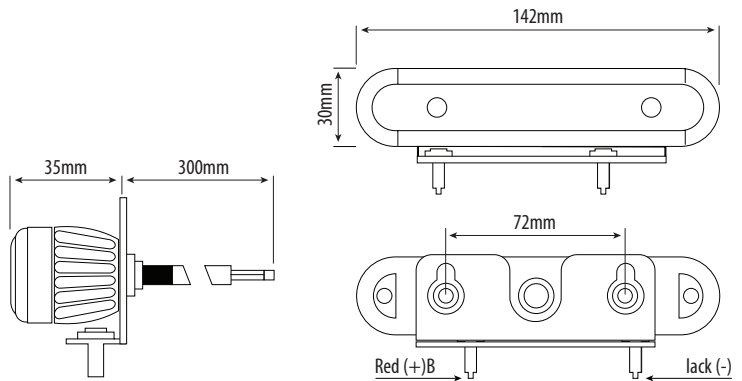
Warning Lights

REG 65

LED DIRECTIONAL LAMP (AMBER / REG 65)

CA 6083

Bracket Fixing



SMD LED

SMD DAYTIME RUNNING LAMP

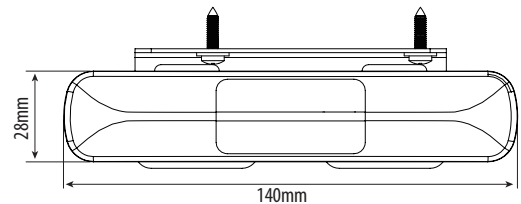
CA 5713

Single Blister Pack

SMD DAYTIME RUNNING LAMP

CA 5713-2

Twin Blister Pack



| Product Code | Voltage | ECE Reg | EMC | IP | LED | Flash Patterns | Lens Material | Base Material | Base Fixing | Watt | Operation Temperature |
|--------------|----------|---------|-----|------|---------|----------------|---------------|---------------|---------------|------|-----------------------|
| CA 6083 | 12 - 24v | 10 / 65 | ✓ | IP67 | 6 Amber | 10 | Polycarbonate | Die Cast Alum | Bracket | 18 | -40°C - +65°C |
| CA 5713 | 10 -30v | 87 | - | IP67 | 8 White | - | Polycarbonate | Polycarbonate | Bracket Mount | 4 | -40°C - +65°C |



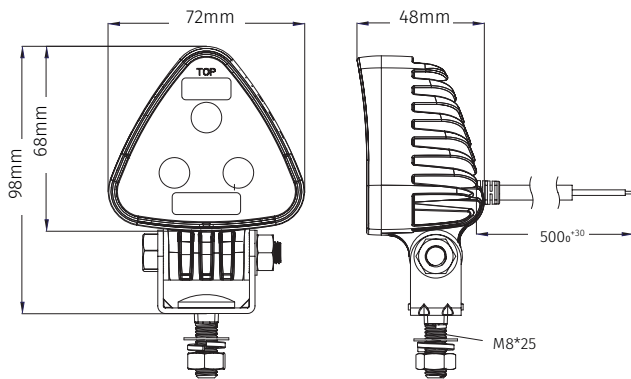
Work Lamps

LED Work Lamps

LED

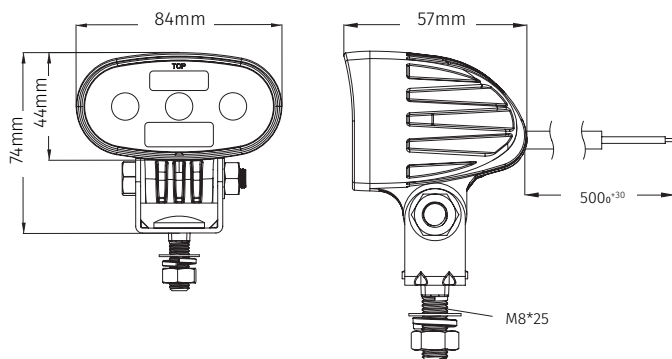
MINI TRI WORKLAMP

CA 5730



OVAL MINI WORKLAMP

CA 5732

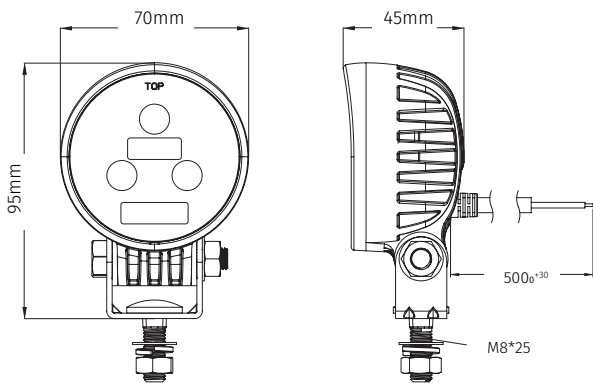


| Product Code | Voltage | ECE Reg | EMC | IP | Lumens | LED | Lens Material | Lamp Housing | Fixing | Watt | Operation Temperature |
|--------------|---------|---------|-----|------|--------|-----|---------------|--------------|---------------|------|-----------------------|
| CA 5730 | 10-30v | Reg 10 | ✓ | IP67 | 750 | 3 | Polycarbonate | Aluminium | Bracket Mount | 9W | -40°C - +60°C |
| CA 5732 | 10-30v | Reg 10 | ✓ | IP67 | 750 | 3 | Polycarbonate | Aluminium | Bracket Mount | 9W | -40°C - +60°C |

LED

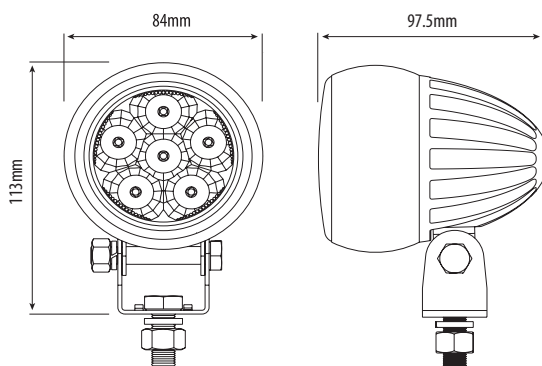
ROUND MINI WORKLAMP

CA 5734



3" ROUND WORKLAMP

CA 5703



| Product Code | Voltage | ECE Reg | EMC | IP | Lumens | LED | Lens Material | Lamp Housing | Fixing | Watt | Operation Temperature |
|--------------|----------|---------|-----|------|--------|-----|---------------|--------------|-----------------------|------|-----------------------|
| CA 5734 | 10 - 30v | 10 | ✓ | IP67 | 750 | 3 | Polycarbonate | Aluminium | Bracket Mount | 9W | -40°C - +60°C |
| CA 5703 | 12 - 24v | 10 | ✓ | IP67 | 1350 | 6 | Acrylic | Aluminium | S/Steel Bracket Mount | 18W | -40°C - +50°C |

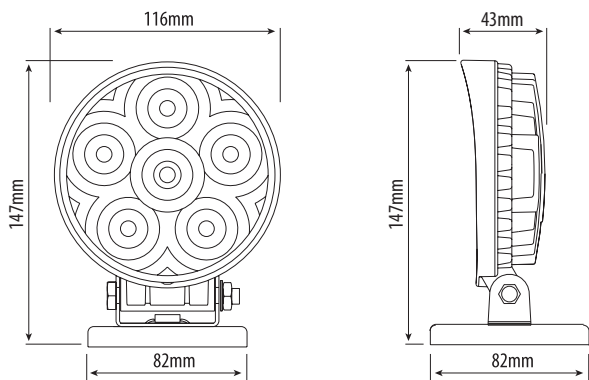
LED Work Lamps

LED

4" MAGNETIC WORKLAMP

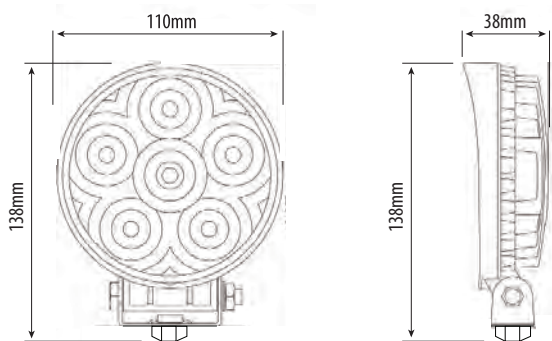
CA 5707

9 Metre Cable



4" ROUND WORKLAMP

CA 5706



| Product Code | Voltage | ECE Reg | EMC | IP | Lumens | LED | Lens Material | Lamp Housing | Fixing | Watt | Operation Temperature |
|--------------|----------|---------|-----|------|--------|-----|---------------|--------------|-----------------------|------|-----------------------|
| CA 5707 | 12 - 28v | Reg 10 | ✓ | IP67 | 1350 | 6 | Acrylic | Aluminium | S/Steel Bracket Mount | 18W | -40°C - +50°C |
| CA 5706 | 12 - 28v | Reg 10 | ✓ | IP67 | 1350 | 6 | Acrylic | Aluminium | S/Steel Bracket Mount | 18W | -40°C - +50°C |

LED

4" HIGH POWER WORKLAMP

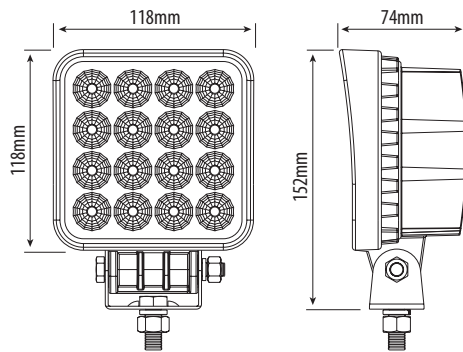
CA 5714

3200 Lumens / 12 - 28v

4" HIGH POWER WORKLAMP

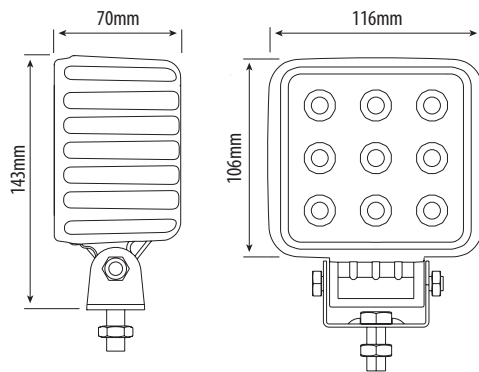
CA 5710

3080 Lumens / 12 - 48v



4" WORKLAMP

CA 5709



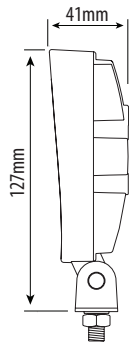
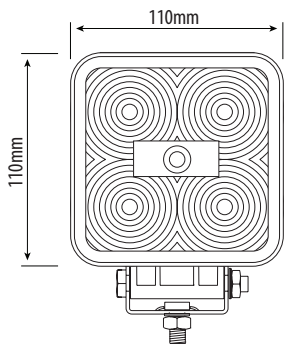
| Product Code | Voltage | ECE Reg | EMC | IP | Lumens | LED | Lens Material | Lamp Housing | Fixing | Watt | Operation Temperature |
|--------------|----------|---------|-----|------|--------|-----|---------------|--------------|-----------------------|------|-----------------------|
| CA 5714 | 12 - 28v | Reg 10 | ✓ | IP67 | 3200 | 16 | Acrylic | Aluminium | S/Steel Bracket Mount | 48W | -40°C - +40°C |
| CA 5710 | 12 - 48v | - | ✓ | IP67 | 3080 | 16 | Acrylic | Aluminium | S/Steel Bracket Mount | 48W | -40°C - +40°C |
| CA 5709 | 12 - 28v | - | ✓ | IP67 | 2025 | 9 | Polycarbonate | Aluminium | S/Steel Bracket Mount | 27W | -40°C - +50°C |

LED Work Lamps

LED

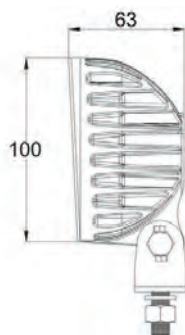
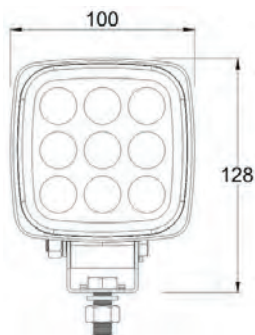
4" SQUARE WORKLAMP

CA 5702



4" SQUARE WORKLAMP

CA 5770

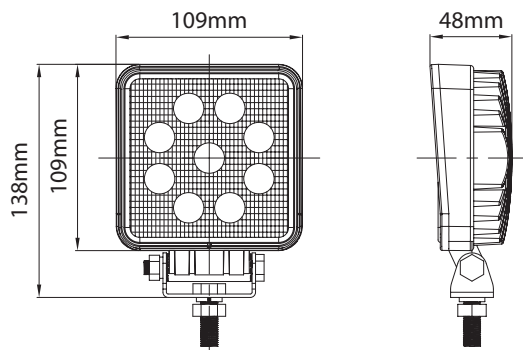


| Product Code | Voltage | ECE Reg | EMC | IP | Lumens | LED | Lens Material | Lamp Housing | Fixing | Watt | Operation Temperature |
|--------------|----------|---------|-----|------|--------|-----|---------------|--------------|-----------------------|------|-----------------------|
| CA 5702 | 12 - 28v | 10 | ✓ | IP67 | 1050 | 5 | Acrylic | Aluminium | S/Steel Bracket Mount | 15W | -40°C - +50°C |
| CA 5770 | 12 - 28v | - | ✓ | IP67 | 1200 | 9 | Acrylic | Aluminium | S/Steel Bracket Mount | 15W | -40°C - +50°C |

LED

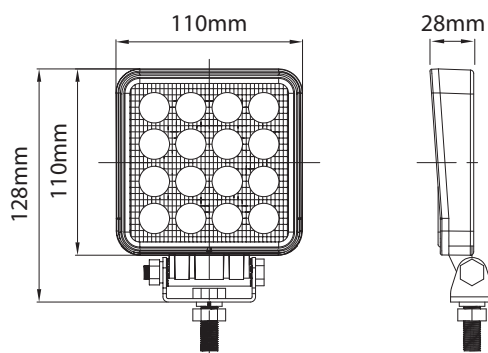
4" LED SQUARE WORKLAMP

CA 5740



4" LED SQUARE WORKLAMP

CA 5745



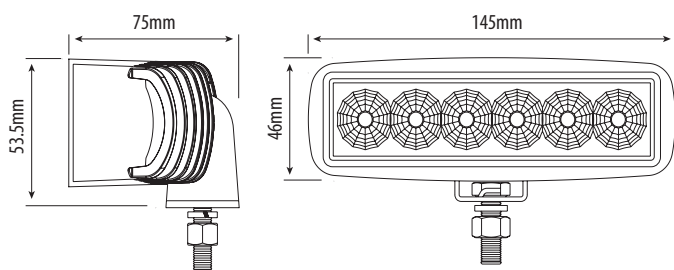
| Product Code | Voltage | ECE Reg | EMC | IP | Lumens | LED | Lens Material | Lamp Housing | Fixing | Watt | Operation Temperature |
|--------------|------------|---------|-----|--------|--------|--------|---------------|--------------|------------------------|------|-----------------------|
| CA 5740 | 9 - 32v | - | ✓ | IP67 | 1950 | 9 | PMMA | Aluminium | S/Steel Bracket Mount | 27W | -40°C - +50°C |
| CA 5745 | 10 - 30vDC | 10 | ✓ | IP6K9K | 2017 | 16 SMD | PC | Graphene | Single Bolt Mount / M8 | 48W | -40°C - +50°C |

LED Work Lamps

LED

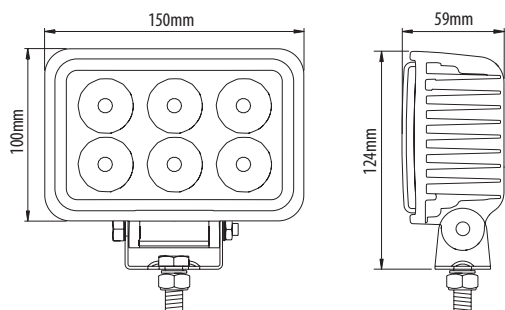
5" RECTANGULAR WORKLAMP

CA 5708



6" RECTANGULAR WORKLAMP

CA 5705



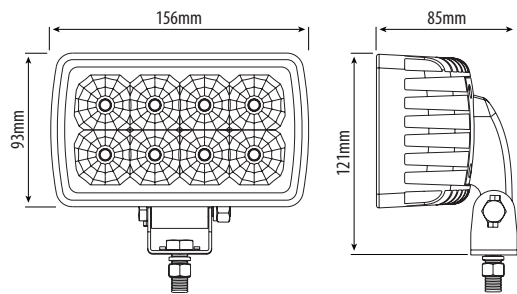
| Product Code | Voltage | ECE Reg | EMC | IP | Lumens | LED | Lens Material | Lamp Housing | Fixing | Watt | Operation Temperature |
|--------------|----------|---------|-----|------|--------|-----|---------------|--------------|-----------------------|------|-----------------------|
| CA 5708 | 12 - 28v | 10 | ✓ | IP67 | 1350 | 6 | Polycarbonate | Aluminium | S/Steel Bracket Mount | 18W | -40°C - +50°C |
| CA 5705 | 12 - 28v | 10 | ✓ | IP67 | 1680 | 8 | Polycarbonate | Aluminium | S/Steel Bracket Mount | 24W | -40°C - +50°C |

LED

6" ADJUSTABLE WORKLAMP

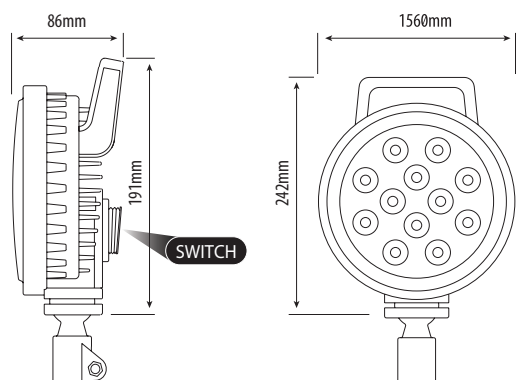
CA 5716

Standard & side Mount Options / Swivel Function



6" WORKLAMP WITH SWITCH

CA 5712



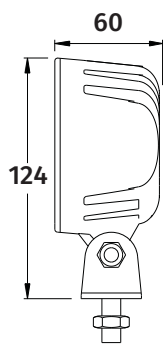
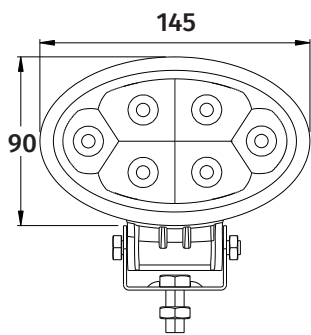
| Product Code | Voltage | ECE Reg | EMC | IP | Lumens | LED | Lens Material | Lamp Housing | Fixing | Watt | Operation Temperature |
|--------------|----------|---------|-----|------|--------|-----|---------------|--------------|-----------------------|------|-----------------------|
| CA 5716 | 12 - 28v | - | ✓ | IP67 | 1350 | 6 | Polycarbonate | Aluminium | S/Steel Bracket Mount | 18W | -40°C - +50°C |
| CA 5712 | 12 - 28v | - | ✓ | IP67 | 1350 | 12 | Polycarbonate | Aluminium | S/Steel Bracket Mount | 12W | -40°C - +50°C |

LED Work Lamps

LED

6" OVAL WORKLAMP

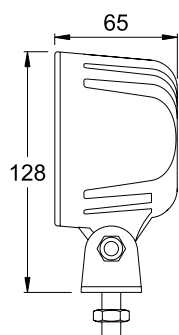
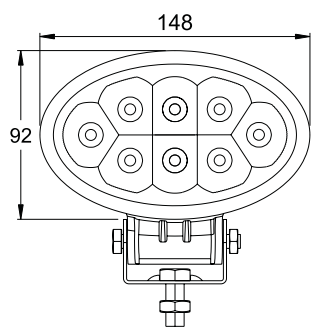
CA 5704



LED

6" OVAL WORKLAMP

CA 5722

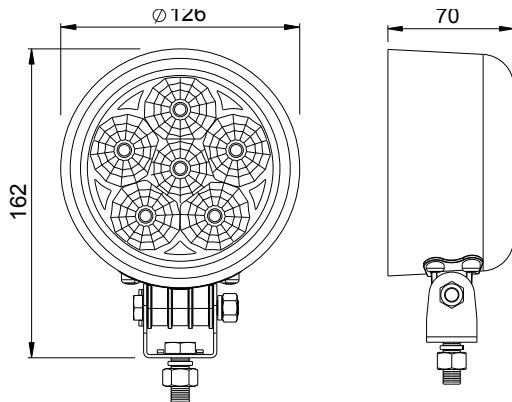


| Product Code | Voltage | ECE Reg | EMC | IP | Lumens | LED | Lens Material | Lamp Housing | Fixing | Watt | Operation Temperature |
|--------------|----------|---------|-----|------|--------|-----|---------------|--------------|-----------------------|------|-----------------------|
| CA 5704 | 12 - 28v | 10 | ✓ | IP67 | 1350 | 6 | Polycarbonate | Aluminium | S/Steel Bracket Mount | 18W | -40°C - +50°C |
| CA 5722 | 12 - 28v | - | ✓ | IP67 | 1800 | 8 | Polycarbonate | Aluminium | S/Steel Bracket Mount | 24W | -40°C - +50°C |

LED

LED ROUND WORKLAMP (WITH RUBBER HOUSING)

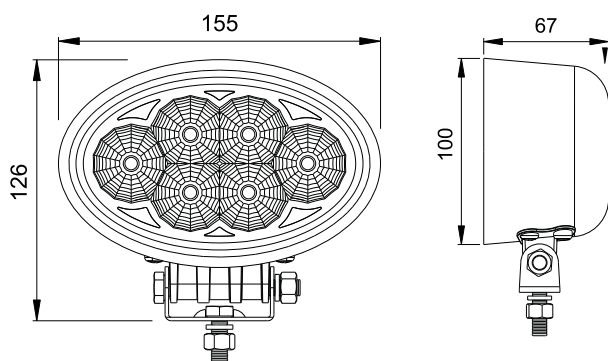
CA 5723



LED

LED OVAL WORKLAMP (WITH RUBBER HOUSING)

CA 5726



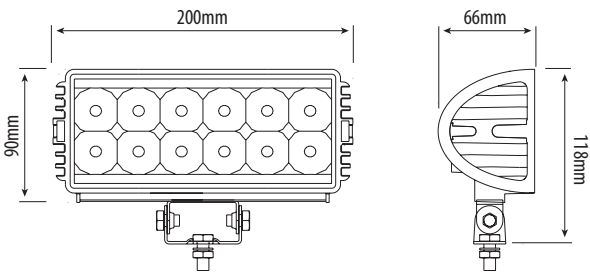
| Product Code | Voltage | ECE Reg | EMC | IP | Lumens | LED | Lens Material | Lamp Housing | Fixing | Watt | Operation Temperature |
|--------------|----------|---------|-----|------|--------|-----|---------------|--------------|-----------------------|------|-----------------------|
| CA 5723 | 12 - 28v | - | ✓ | IP67 | 1350 | 6 | Polycarbonate | Rubber | S/Steel Bracket Mount | 18W | -40°C - +50°C |
| CA 5726 | 12 - 28v | - | ✓ | IP67 | 1350 | 6 | Polycarbonate | Rubber | S/Steel Bracket Mount | 18W | -40°C - +50°C |

LED Work Lamp Bars

LED

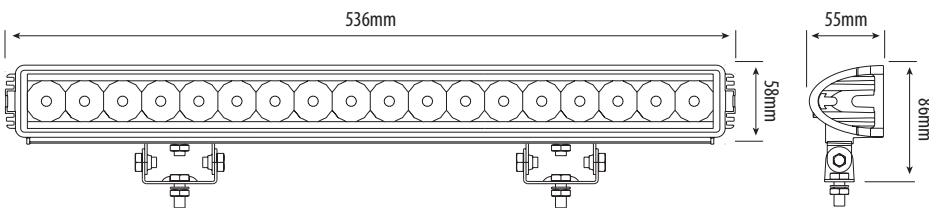
ADVENTURE WORKLAMP BAR

CA 6114



ADVENTURE WORKLAMP BAR

CA 6123

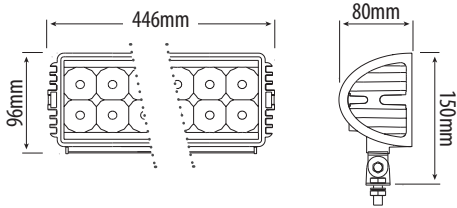


| Product Code | Voltage | ECE Reg | EMC | IP | Lumens | LED | Lens Material | Lamp Housing | Fixing | Watt | Operation Temperature |
|--------------|----------|---------|-----|------|--------|-----|---------------|--------------|-----------------------|------|-----------------------|
| CA 6114 | 12 - 24v | - | ✓ | IP67 | 2700 | 12 | Polycarbonate | Aluminium | S/Steel Bracket Mount | 36W | -20°C - +40°C |
| CA 6123 | 12 - 24v | - | ✓ | IP67 | 4050 | 18 | Polycarbonate | Aluminium | S/Steel Bracket Mount | 54W | -20°C - +40°C |

LED

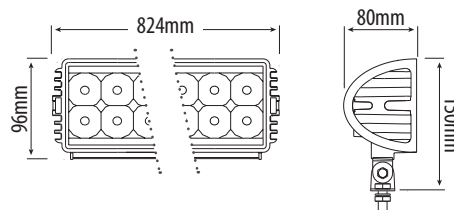
ADVENTURE WORKLAMP BAR

CA 6115



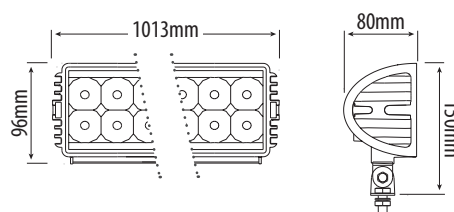
ADVENTURE WORKLAMP BAR

CA 6117



ADVENTURE WORKLAMP BAR

CA 6119



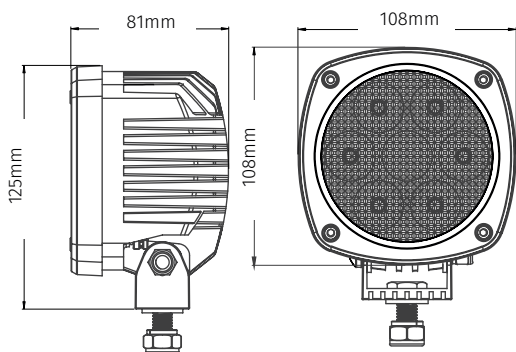
| Product Code | Voltage | ECE Reg | EMC | IP | Lumens | LED | Lens | Lamp Material | Fixing Housing | Watt | Operation Temperature |
|--------------|----------|---------|-----|------|--------|----------|------|---------------|-----------------------|------|-----------------------|
| CA 6115 | 12 - 24v | - | ✓ | IP67 | 5400 | 24 White | PC | Aluminium | S/Steel Bracket Mount | 72W | -20°C - +40°C |
| CA 6117 | 12 - 24v | - | ✓ | IP67 | 10800 | 49 White | PC | Aluminium | S/Steel Bracket Mount | 144W | -20°C - +40°C |
| CA 6119 | 12 - 24v | - | ✓ | IP67 | 13500 | 60 White | PC | Aluminium | S/Steel Bracket Mount | 180W | -20°C - +40°C |

LED Work Lamps

CREE LED

4" EXPLORER WORKLAMP

CA 6160

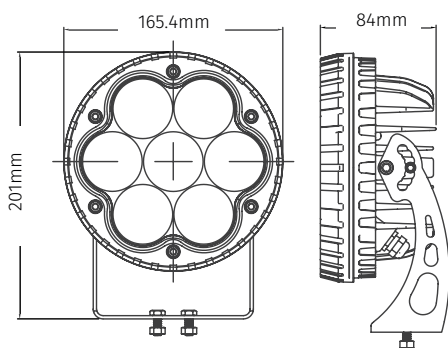


CREE TECHNOLOGY



6" EXPLORER WORKLAMP

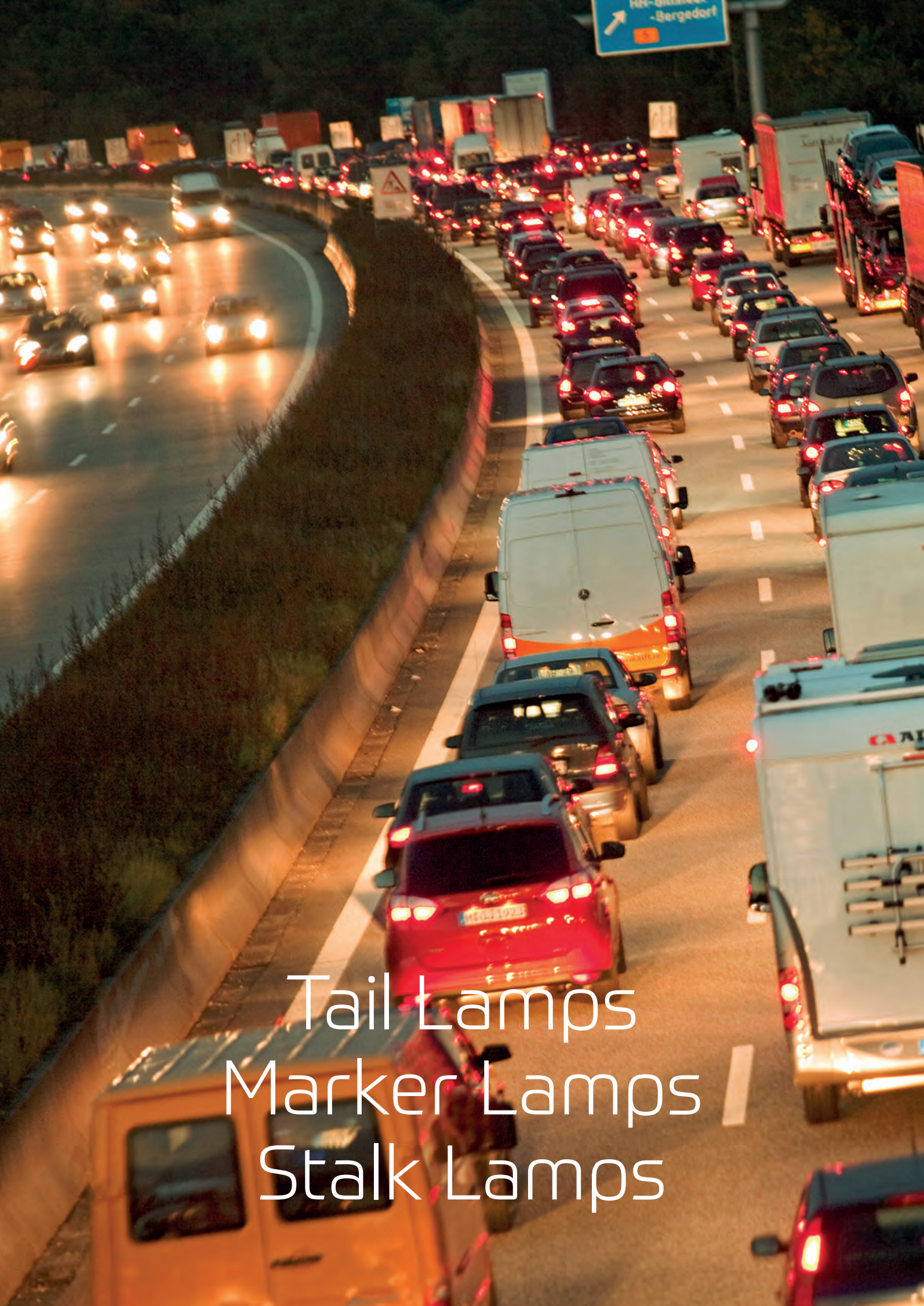
CA 6170



CREE TECHNOLOGY



| Product Code | Voltage | ECE Reg | EMC | IP | Lumens | LED | Lens Material | Lamp Housing | Fixing | Watt | Operation Temperature |
|--------------|---------|---------|-----|------|--------|--------|---------------|--------------|-----------------------|------|-----------------------|
| CA 6160 | 9 - 32v | - | ✓ | IP68 | 5000 | 7 CREE | Polycarbonate | Aluminium | S/Steel Bracket Mount | 35W | -40°C - +50°C |
| CA 6170 | 9 - 32v | - | ✓ | IP68 | 11000 | 7 CREE | Polycarbonate | Aluminium | S/Steel Bracket Mount | 70W | -40°C - +50°C |



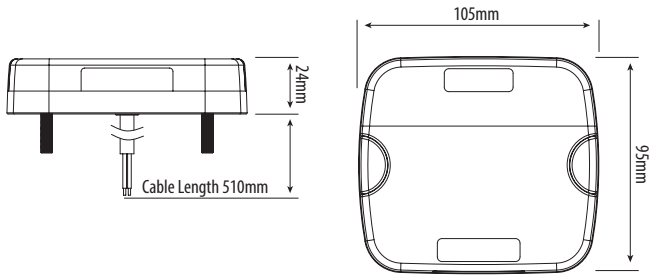
Tail Lamps
Marker Lamps
Stalk Lamps

LED Tail Lamps

LED

4" MULTIFUNCTIONAL TAIL LAMP

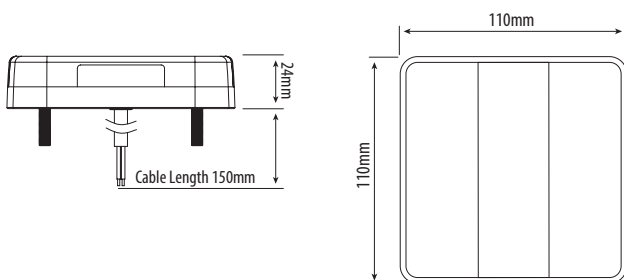
CA 7093



| STOP | TAIL | D.I. | REVERSE | FOG | REFLECTOR | NO. PLATE |
|------|------|------|---------|-----|-----------|-----------|
| ✓ | ✓ | ✓ | - | - | ✓ | ✓ |

4.5" MULTIFUNCTIONAL TAIL LAMP

CA 7058



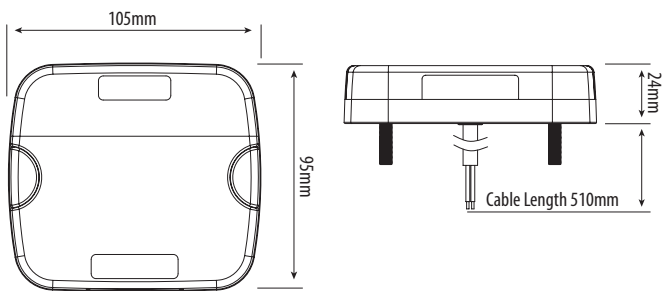
| STOP | TAIL | D.I. | REVERSE | FOG | REFLECTOR | NO. PLATE |
|------|------|------|---------|-----|-----------|-----------|
| ✓ | ✓ | ✓ | - | - | ✓ | - |

| Product Code | Voltage | ECE Reg | IP | Lens | Lamp Material | Fixing Housing | Operation Temperature |
|--------------|---------|-------------------|------|---------------|---------------|------------------------|-----------------------|
| CA 7093 | 12-24v | Reg 3 / 4 / 6 / 7 | IP67 | Polycarbonate | ABS | Bolt or Screw Mounting | -40°C - +65°C |
| CA 7058 | 12v | Reg 3 / 6 / 7 | IP65 | Acrylic | ABS | Bolt Mounting | -40°C - +65°C |

LED

4" FRONT POSITION / INDICATOR LAMP

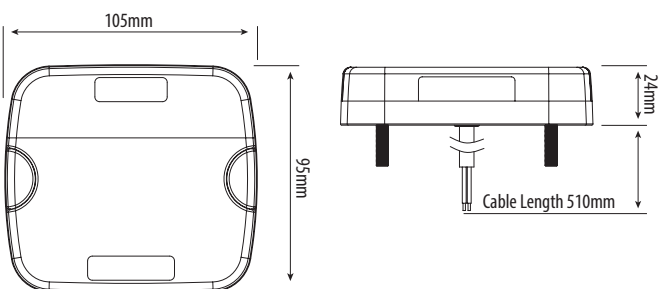
CA 7094



| STOP | TAIL | D.I. | REVERSE | FOG | REFLECTOR | NO. PLATE |
|------|------|------|---------|-----|-----------|-----------|
| - | - | ✓ | - | - | ✓ | ✓ |

4" FOG / REVERSE LAMP

CA 7095



| STOP | TAIL | D.I. | REVERSE | FOG | REFLECTOR | NO. PLATE |
|------|------|------|---------|-----|-----------|-----------|
| - | - | - | ✓ | ✓ | ✓ | - |

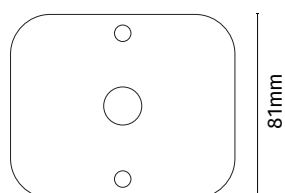
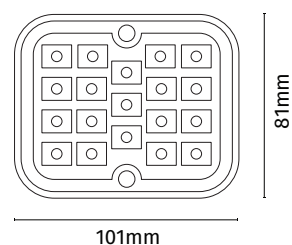
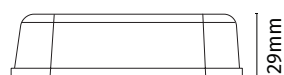
| Product Code | Voltage | ECE Reg | IP | Lens | Lamp Material | Fixing Housing | Operation Temperature |
|--------------|---------|----------------------|------|---------------|---------------|------------------------|-----------------------|
| CA 7094 | 12-24v | Reg 3 / 6 / 7 / 10 | IP67 | Polycarbonate | ABS | Bolt or Screw Mounting | -40°C - +65°C |
| CA 7055 | 12-24v | Reg 3 / 10 / 23 / 38 | IP65 | Polycarbonate | ABS | Bolt or Screw Mounting | -40°C - +65°C |

LED Tail Lamps

LED

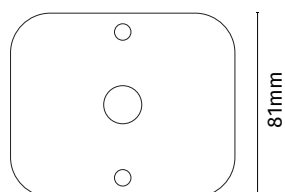
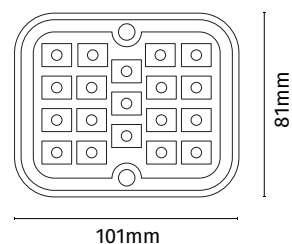
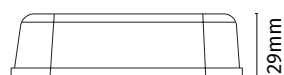
FOG LAMP

CA 7103



REVERSE LAMP

CA 7102



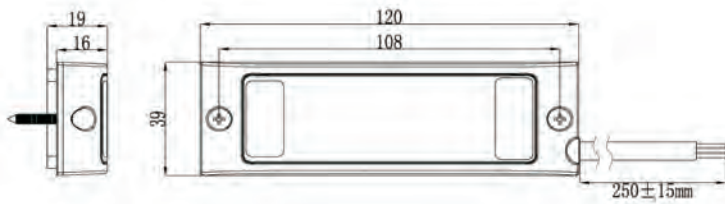
| Product Code | Voltage | ECE Reg | IP | Lens Material | Base Material | Fixing | Operation Temperature |
|--------------|---------|---------|------|---------------|---------------|---------------|-----------------------|
| CA 7103 | 12v | 38 | IP67 | PMMA | ABS Housing | Bolt Mounting | -45°C - +70°C |
| CA 7102 | 12v | 23 | IP67 | PMMA | ABS Housing | Bolt Mounting | -45°C - +70°C |

LED Tail Lamps (Miniature)

LED

MULTIFUNCTIONAL TAIL LAMP

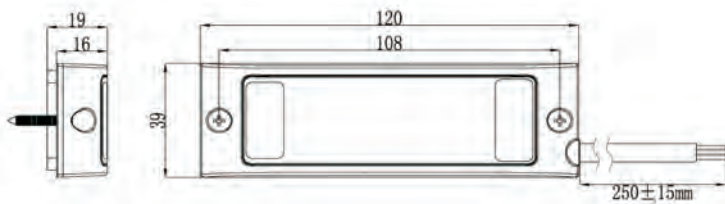
CA 7092



| STOP | TAIL | D.I. | REVERSE | FOG | REFLECTOR | NO. PLATE |
|------|------|------|---------|-----|-----------|-----------|
| ✓ | ✓ | ✓ | - | - | - | - |

FOG / REVERSE LAMP

CA 7096



| STOP | TAIL | D.I. | REVERSE | FOG | REFLECTOR | NO. PLATE |
|------|------|------|---------|-----|-----------|-----------|
| - | - | - | ✓ | ✓ | - | - |

| Product Code | Voltage | ECE Reg | IP | Lens Material | Lamp Housing | Fixing Temperature | Operation |
|--------------|---------|--------------|------|---------------|---------------|--------------------|---------------|
| CA 7092 | 10-30v | 6 / 7 / 10 | IP67 | PMMA | ABS | Bolt Mounting | -40°C - +65°C |
| CA 7096 | 10-30v | 10 / 23 / 38 | IP67 | Polycarbonate | Polycarbonate | Bolt Mounting | -40°C - +65°C |

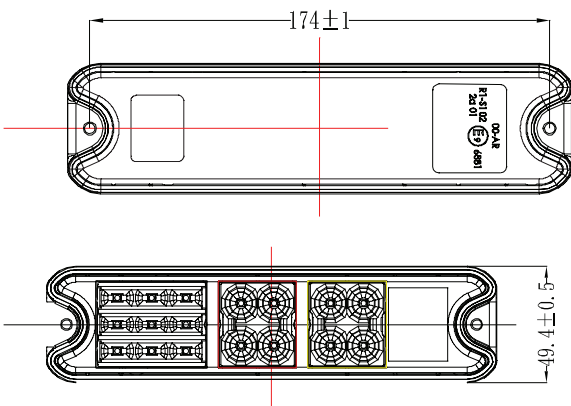
LED Tail Lamps (Multifunction)



LED

MULTIFUNCTIONAL TAIL LAMP

CA 7070



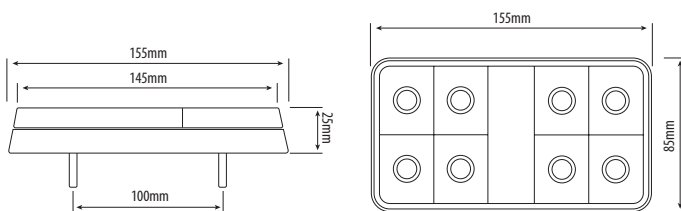
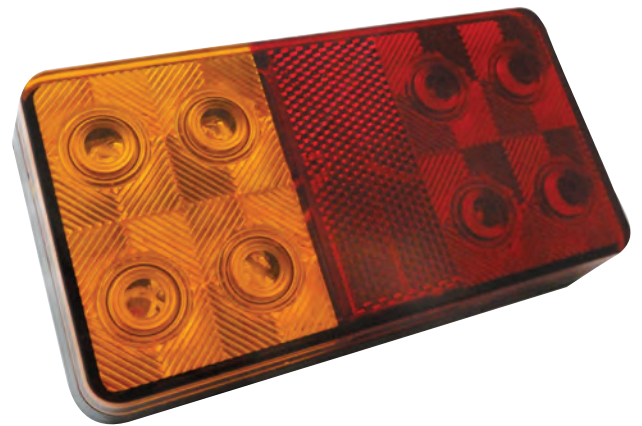
| STOP | TAIL | D.I. | REVERSE | FOG | FRONT POSITION | NO. PLATE |
|------|------|------|---------|-----|----------------|-----------|
| ✓ | ✓ | ✓ | ✓ | - | - | - |

| Product Code | Voltage | ECE Reg | IP | Lens Material | Base Material | Fixing | Operation Temperature |
|--------------|---------|------------|------|---------------|---------------|---------------|-----------------------|
| CA 7070 | 10-30v | 3 / 7 / 23 | IP67 | Polycarbonate | ABS Housing | Bolt Mounting | -40°C - +65°C |

LED

MULTIFUNCTIONAL TAIL LAMP (TWIN PACK)

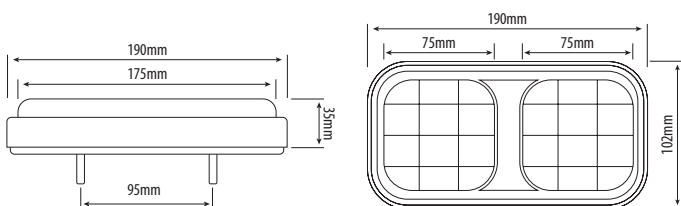
CA 7060



| STOP | TAIL | D.I. | REVERSE | FOG | REFLECTOR | NO. PLATE |
|------|------|------|---------|-----|-----------|-----------|
| ✓ | ✓ | ✓ | - | - | ✓ | - |

MULTIFUNCTIONAL TAIL LAMP

CA 7069



| STOP | TAIL | D.I. | REVERSE | FOG | REFLECTOR | NO. PLATE |
|------|------|------|---------|-----|-----------|-----------|
| ✓ | ✓ | ✓ | - | - | ✓ | - |

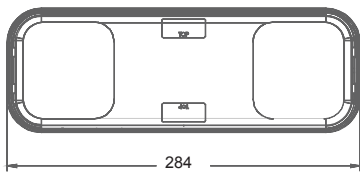
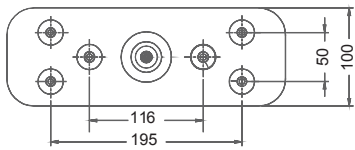
| Product Code | Voltage | ECE Reg | IP | Lens | Lamp Material | Fixing Housing | Operation Temperature |
|--------------|---------|---------------|------|---------------|---------------|----------------|-----------------------|
| CA 7060 | 12v | Reg 3 / 6 / 7 | IP66 | Acrylic | ABS | Bolt Mounting | -40°C - +65°C |
| CA 7069 | 12v-24v | Reg 3 / 6 / 7 | IP67 | Polycarbonate | ABS | Bolt Mounting | -40°C - +65°C |

LED Tail Lamps

LED

MULTIFUNCTIONAL TAIL LAMP

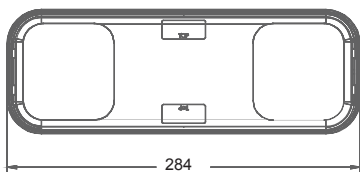
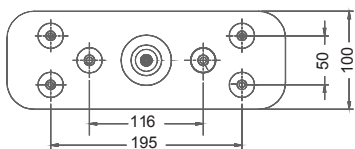
CA 7099



| STOP | TAIL | D.I. | REVERSE | FOG | REFLECTOR | NO. PLATE |
|------|------|------|---------|-----|-----------|-----------|
| ✓ | ✓ | ✓ | ✓ | - | ✓ | - |

MULTIFUNCTIONAL TAIL LAMP

CA 7098



| STOP | TAIL | D.I. | REVERSE | FOG | REFLECTOR | NO. PLATE |
|------|------|------|---------|-----|-----------|-----------|
| ✓ | ✓ | ✓ | ✓ | ✓ | ✓ | - |

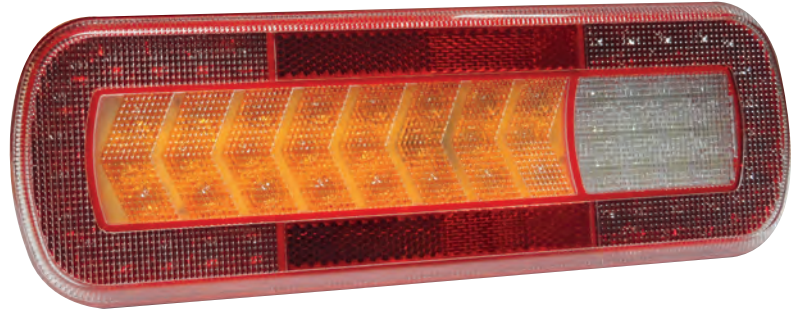
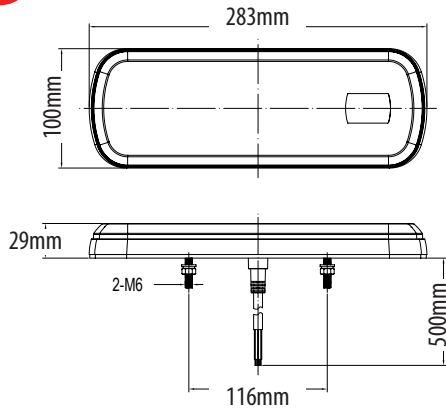
| Product Code | Voltage | ECE Reg | IP | Lens Material | Lamp Housing | Fixing | Operation Temperature |
|--------------|---------|---------------------|------|---------------|--------------|---------------|-----------------------|
| CA 7099 | 12-24v | 3 / 6 / 7 / 23 | IP67 | Polycarbonate | ABS | Bolt Mounting | -40°C - +65°C |
| CA 7098 | 12-24v | 3 / 6 / 7 / 23 / 38 | IP67 | Polycarbonate | ABS | Bolt Mounting | -40°C - +65°C |

LED Tail Lamps (Combination)

LED

COMBINATION TAIL LAMP

CA 7048



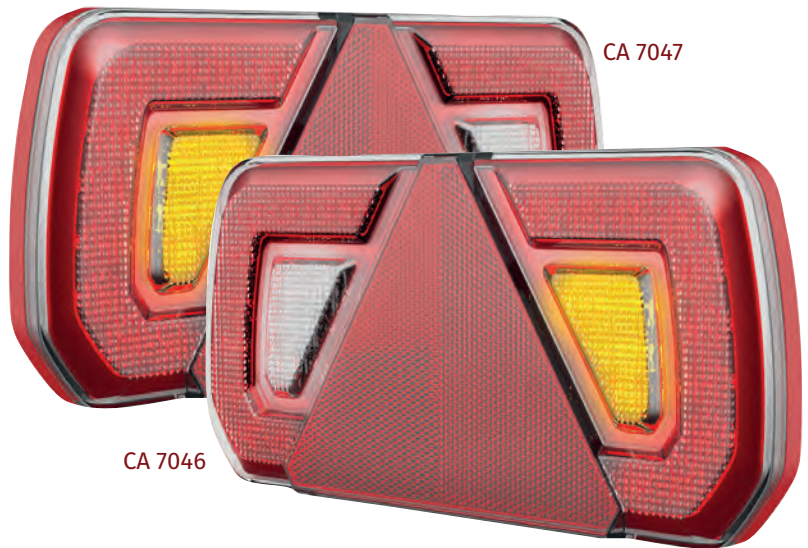
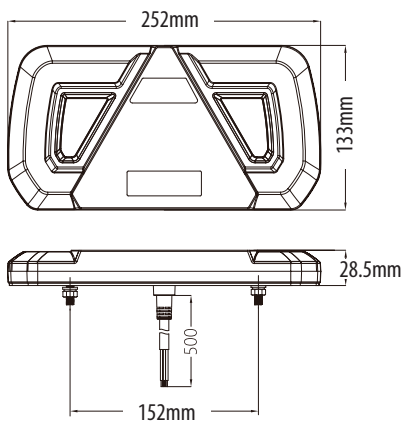
| STOP | TAIL | D.I. | REVERSE | FOG | REFLECTOR | NO. PLATE |
|------|------|------|---------|-----|-----------|-----------|
| ✓ | ✓ | ✓ | ✓ | ✓ | ✓ | - |

COMBINATION TAIL LAMP (LEFT)

CA 7046

COMBINATION TAIL LAMP (RIGHT)

CA 7047



| STOP | TAIL | D.I. | REVERSE | FOG | REFLECTOR | NO. PLATE |
|------|------|------|---------|-----|-----------|-----------|
| ✓ | ✓ | ✓ | ✓ | ✓ | ✓ | - |

| Product Code | Voltage | ECE Reg | IP | Lens | Lamp Material | Fixing Housing | Watt | Operation Temperature |
|--------------|---------|---------------------|------|---------------|---------------|-----------------|------|-----------------------|
| CA 7048 | 12-24v | 7 / 23 / 6 / 38 / 3 | IP67 | Polycarbonate | Polycarbonate | Bolt Mount | 13 | -40°C - +65°C |
| CA 7046 | 12v-24v | 7 / 23 / 6 / 38 / 3 | IP67 | PMMA | Polycarbonate | Bolt Mount / M6 | 11 | -40°C - +65°C |
| CA 7047 | 12v-24v | 7 / 23 / 6 / 38 / 3 | IP67 | PMMA | Polycarbonate | Bolt Mount / M6 | 11 | -40°C - +65°C |

LED Tail Lamps (Multifunction)

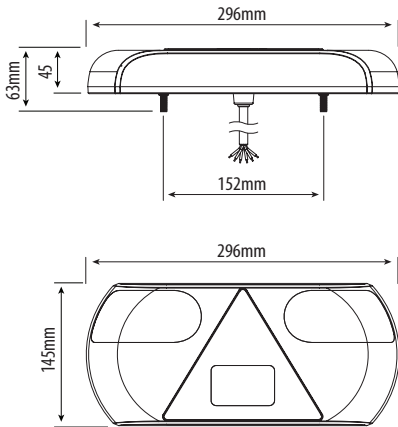
LED

MULTIFUNCTIONAL TAIL LAMP (LEFT)

CA 7035

MULTIFUNCTIONAL TAIL LAMP (RIGHT)

CA 7036



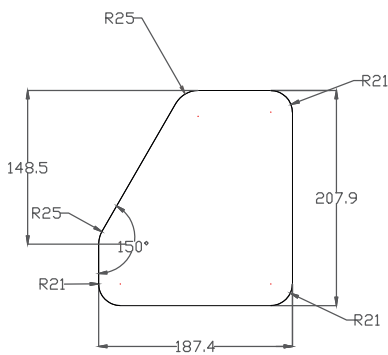
| CODE | STOP | TAIL | D.I. | REVERSE | FOG | REFLECTOR | NO. PLATE |
|---------|------|------|------|---------|-----|-----------|-----------|
| CA 7035 | ✓ | ✓ | ✓ | ✓ | ✓ | ✓ | - |
| CA 7036 | ✓ | ✓ | ✓ | ✓ | - | ✓ | - |

MULTIFUNCTIONAL TAIL LAMP (LEFT)

CA 7105L

MULTIFUNCTIONAL TAIL LAMP (RIGHT)

CA 7105R



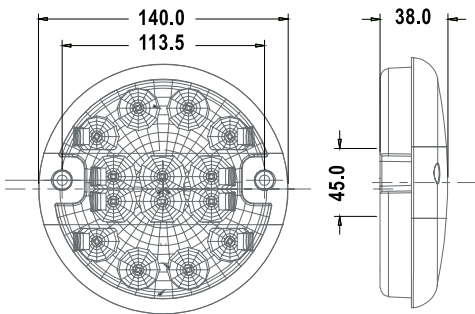
| CODE | STOP | TAIL | D.I. | REVERSE | FOG | REFLECTOR | NO. PLATE |
|----------|------|------|------|---------|-----|-----------|-----------|
| CA 7105L | ✓ | ✓ | ✓ | ✓ | - | ✓ | - |
| CA 7105R | ✓ | ✓ | ✓ | - | ✓ | ✓ | - |

| Product Code | Voltage | ECE Reg | IP | Lens Material | Base Material | Fixing | Operation Temperature |
|--------------|---------|---------------------|------|---------------|---------------|------------------------|-----------------------|
| CA 7035 | 12-24v | 3 / 6 / 7 / 38 / 23 | IP67 | Polycarbonate | ABS Housing | Bolt or Screw Mounting | -40°C - +65°C |
| CA 7036 | 12-24v | 3 / 6 / 7 / 23 / 38 | IP67 | Polycarbonate | ABS Housing | Bolt or Screw Mounting | -40°C - +65°C |
| CA 7105L | 12-30v | 3 / 6 / 7 / 23 | IP67 | PMMA | ABS Housing | Bolt Mounting | -45°C - +70°C |
| CA 7105R | 12-30v | 3 / 6 / 7 / 23 | IP67 | PMMA | ABS Housing | Bolt Mounting | -45°C - +70°C |

LED

ROUND LED LIGHT (FOG)

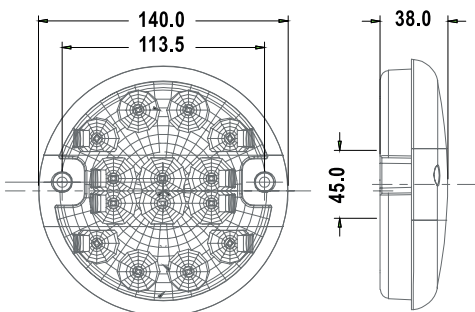
CA 9013



| STOP | TAIL | D.I. | REVERSE | FOG | FRONT POSITION | NO. PLATE |
|------|------|------|---------|-----|----------------|-----------|
| - | - | - | - | ✓ | - | - |

ROUND LED LIGHT (REVERSE)

CA 9014



| STOP | TAIL | D.I. | REVERSE | FOG | FRONT POSITION | NO. PLATE |
|------|------|------|---------|-----|----------------|-----------|
| - | - | - | ✓ | - | - | - |

| Product Code | Voltage | ECE Reg | IP | Lens Material | Housing Material | Fixing | Watt | Operation Temperature |
|--------------|---------|---------|------|---------------|------------------|------------|------|-----------------------|
| CA 9013 | 12-24v | 38 | IP67 | PMMA (Red) | ABS (No Bowl) | Bolt Mount | 4w | -40°C - +65°C |
| CA 9014 | 12-24v | 23 | IP67 | PMMA (Clear) | ABS (No Bowl) | Bolt Mount | 1.5w | -40°C - +65°C |

LED Tail Lamps (Multifunction)

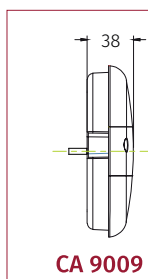
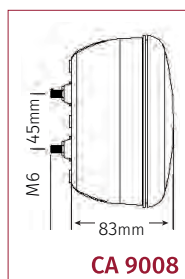
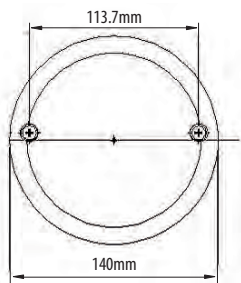
LED

MULTIFUNCTIONAL TAIL LAMP

CA 9008

MULTIFUNCTIONAL TAIL LAMP (NO BASE)

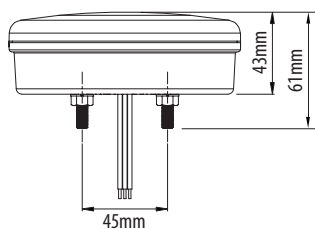
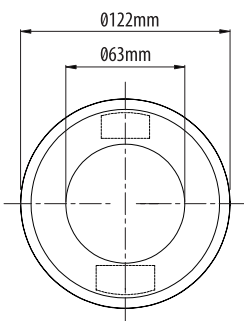
CA 9009



| STOP | TAIL | D.I. | REVERSE | FOG | REFLECTOR | NO. PLATE |
|------|------|------|---------|-----|-----------|-----------|
| ✓ | ✓ | ✓ | - | - | - | - |

MULTIFUNCTIONAL TAIL LAMP

CA 7008



| STOP | TAIL | D.I. | REVERSE | FOG | REFLECTOR | NO. PLATE |
|------|------|------|---------|-----|-----------|-----------|
| ✓ | ✓ | ✓ | - | - | - | - |

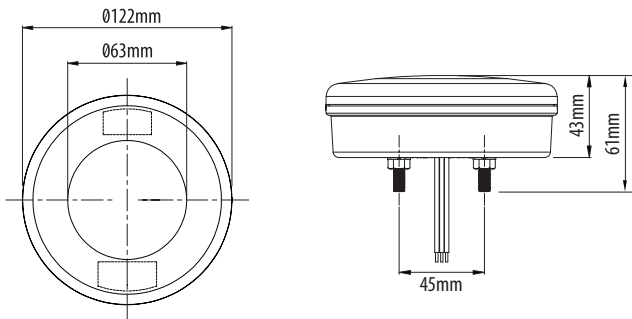
| Product Code | Voltage | ECE Reg | IP | Lens Material | Base Material | Fixing | Watt | Operation Temperature |
|--------------|---------|---------|------|---------------|---------------|--------------------|------|-----------------------|
| CA 9008 | 6-30v | 6 / 7 | IP67 | Polycarbonate | ABS | Bolt Mounting | 4.5 | -40°C - +65°C |
| CA 9009 | 6-30v | 6 / 7 | IP67 | Polycarbonate | ABS | Bolt Mounting | 4.5 | -45°C - +65°C |
| CA 7008 | 10-30v | 6 / 7 | IP67 | Polycarbonate | ABS | Solid Steel Screws | 4.0 | -40°C - +65°C |

LED Tail Lamps (Multifunction)

LED

MULTIFUNCTIONAL FOG / REVERSE

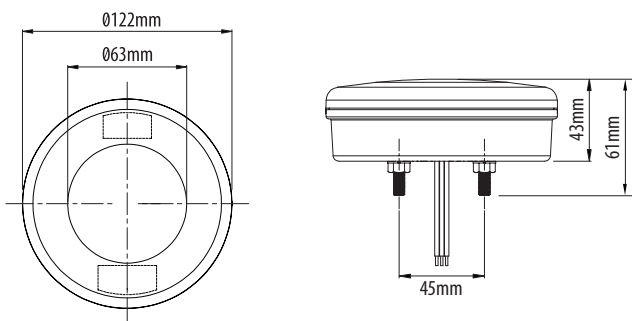
CA 7009



| STOP | TAIL | D.I. | REVERSE | FOG | FRONT POSITION | NO. PLATE |
|------|------|------|---------|-----|----------------|-----------|
| - | - | - | ✓ | ✓ | - | - |

5.5" MULTIFUNCTIONAL FRONT POSITION / INDICATOR

CA 7010



| STOP | TAIL | D.I. | REVERSE | FOG | FRONT POSITION | NO. PLATE |
|------|------|------|---------|-----|----------------|-----------|
| - | - | ✓ | - | - | ✓ | - |

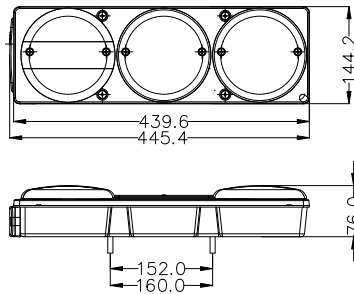
| Product Code | Voltage | ECE Reg | IP | Lens Material | Base Material | Fixing | Operation Temperature |
|--------------|---------|---------|------|---------------|---------------|---------------|-----------------------|
| CA 7009 | 12-24v | 23 / 38 | IP67 | Polycarbonate | ABS Housing | Bolt Mounting | -40°C - +65°C |
| CA 7010 | 12-24v | 6 / 7 | IP67 | Polycarbonate | ABS Housing | Bolt Mounting | -40°C - +65°C |

LED Tail Lamps (Multifunction)

LED

MULTIFUNCTIONAL TAIL LAMP
CA 7040

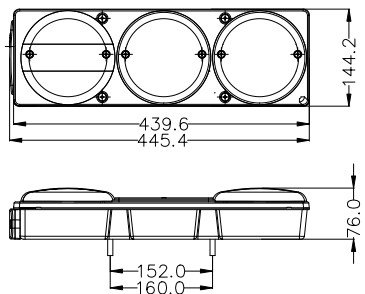
MULTIFUNCTIONAL TAIL LAMP
CA 7041



| CODE | STOP | TAIL | D.I. | REVERSE | FOG | REFLECTOR | SIDE MARKER |
|---------|------|------|------|---------|-----|-----------|-------------|
| CA 7040 | ✓ | ✓ | ✓ | ✓ | - | ✓ | - |
| CA 7041 | ✓ | ✓ | ✓ | - | ✓ | ✓ | - |

MULTIFUNCTIONAL TAIL LAMP
CA 7042

MULTIFUNCTIONAL TAIL LAMP
CA 7044



Amber Side Marker

| CODE | STOP | TAIL | D.I. | REVERSE | FOG | REFLECTOR | SIDE MARKER |
|---------|------|------|------|---------|-----|-----------|-------------|
| CA 7042 | ✓ | ✓ | ✓ | - | - | ✓ | ✓ Left |
| CA 7044 | ✓ | ✓ | ✓ | - | - | ✓ | ✓ Right |

| Product Code | Voltage | ECE Reg | IP | Lens Material | Base Material | Fixing | Watt | Operation Temperature |
|--------------|----------|----------------|------|---------------|---------------|------------|------|-----------------------|
| CA 7040 | 12 - 24v | 7 / 6 / 3 / 23 | IP67 | PMMA | ABS Housing | Bolt Mount | 10.5 | -40°C - +60°C |
| CA 7041 | 12 - 24v | 7 / 6 / 3 / 38 | IP67 | PMMA | ABS Housing | Bolt Mount | 12.5 | -40°C - +60°C |
| CA 7042 | 12 - 24v | 6 / 7 / 3 / 91 | IP67 | PMMA | ABS Housing | Bolt Mount | 13.5 | -40°C - +60°C |
| CA 7044 | 12 - 24v | 6 / 7 / 3 / 91 | IP67 | PMMA | ABS Housing | Bolt Mount | 13.5 | -40°C - +60°C |

LED

MARKER LAMPS (AMBER)

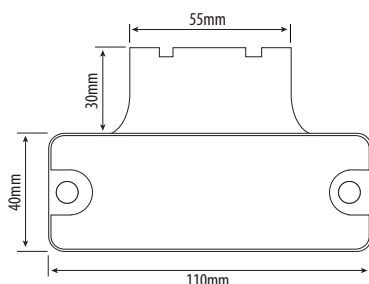
CA 6090A

MARKER LAMPS (RED)

CA 6090R

MARKER LAMPS (WHITE)

CA 6090W



MARKER LAMPS (AMBER)

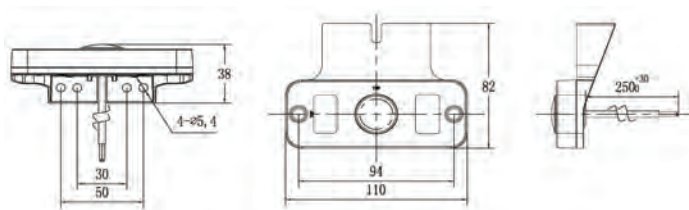
CA 7090A

MARKER LAMPS (RED)

CA 7090R

MARKER LAMPS (WHITE)

CA 7090W



| Product Code | Voltage | ECE Reg | LED | IP | Lens Material | Base Material | Fixing | Operation Temperature |
|--------------|---------|-------------|-----|------|---------------|---------------|---------------------|-----------------------|
| CA 6090A | 10-30v | 91 | 3 | IP65 | PMMA | ABS | Flush/Bracket Mount | -40°C - +85°C |
| CA 6090R | 10-30v | 7 | 3 | IP65 | PMMA | ABS | Flush/Bracket Mount | -40°C - +85°C |
| CA 6090W | 10-30v | 7 | 3 | IP65 | PMMA | ABS | Flush/Bracket Mount | -40°C - +85°C |
| CA 7090A | 12-24v | 3 / 10 / 91 | 5 | IP67 | PMMA | ABS | Surface Mount | -30°C - +50°C |
| CA 7090R | 12-24v | 3 / 7 / 10 | 5 | IP67 | PMMA | ABS | Surface Mount | -30°C - +50°C |
| CA 7090W | 12-24v | 3 / 7 / 10 | 5 | IP67 | PMMA | ABS | Surface Mount | -30°C - +50°C |

LED Marker Lamps

LED

MARKER LAMPS (AMBER)

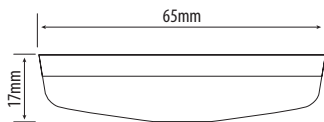
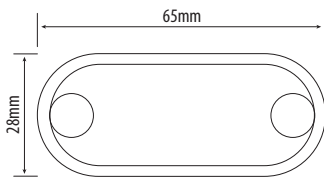
CA 6095A

MARKER LAMPS (RED)

CA 6095R

MARKER LAMPS (WHITE)

CA 6095W



SMD

MARKER LAMPS (AMBER)

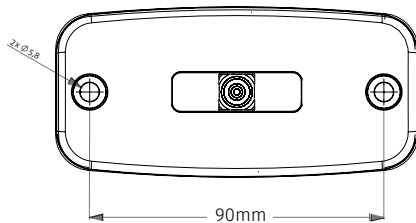
CA 9300A

MARKER LAMPS (RED)

CA 9300R

MARKER LAMPS (WHITE)

CA 9300W



| Product Code | Voltage | ECE Reg | LED | IP | Lens Material | Base Material | Fixing | Operation Temperature |
|--------------|---------|---------|-----|------|---------------|---------------|---------------|-----------------------|
| CA 6095A | 12-30v | 91 | 2 | IP66 | Polycarbonate | ABS Housing | Surface Mount | -40°C - +65°C |
| CA 6095R | 12-30v | 7 | 2 | IP66 | Polycarbonate | ABS Housing | Surface Mount | -40°C - +65°C |
| CA 6095W | 12-30v | 7 | 2 | IP66 | Polycarbonate | ABS Housing | Surface Mount | -40°C - +65°C |
| CA 9300A | 12-24v | 3 / 91 | 3 | IP68 | PMMA | ABS | Surface Mount | -30°C - +50°C |
| CA 9300R | 12-24v | 3 / 7 | 3 | IP68 | PMMA | ABS | Surface Mount | -30°C - +50°C |
| CA 9300W | 12-24v | 3 / 7 | 3 | IP68 | PMMA | ABS | Surface Mount | -30°C - +50°C |

LED

MARKER LAMPS (AMBER)

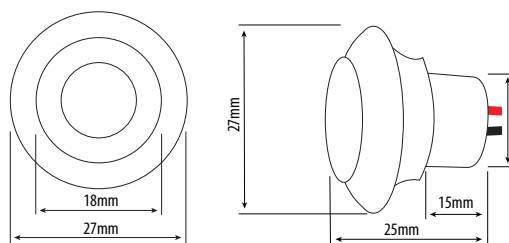
CA 6091A

MARKER LAMPS (RED)

CA 6091R

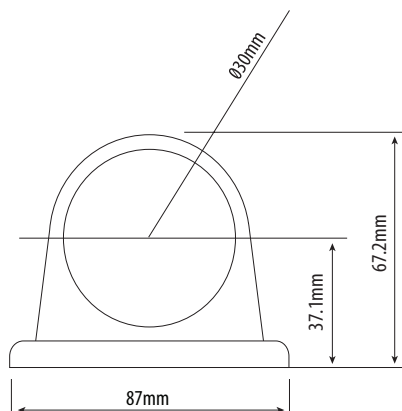
MARKER LAMPS (WHITE)

CA 6091W



RUBBER MARKER LAMP

CA 9711



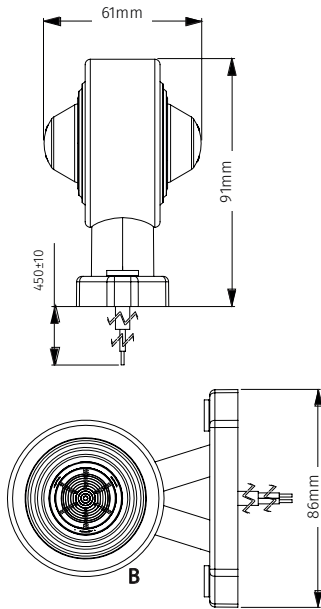
| Product Code | Voltage | ECE Reg | IP | Lens Material | Housing Material | Fixing | Operation Temperature |
|--------------|---------|---------------------|------|---------------|------------------|---------------|-----------------------|
| CA 6091A | 10-30v | 91 | IP67 | PMMA | - | Surface Mount | -40°C - +65°C |
| CA 6091R | 10-30v | 7 | IP67 | PMMA | - | Surface Mount | -40°C - +65°C |
| CA 6091W | 10-30v | 7 | IP67 | PMMA | - | Surface Mount | -40°C - +65°C |
| CA 9711 | 12-24v | 7 (Red) / 7 (Clear) | IP67 | PMMA | EPDM | Surface Mount | -40°C - +65°C |

LED Stalk Lamps

LED

STALK LAMP

CA 9713



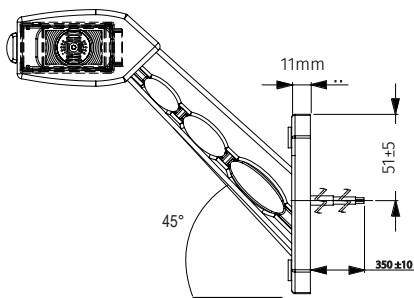
| CODE | FRONT (White) | REAR (Red) | SIDE (Amber) | POSITION | ANGLE |
|---------|---------------|------------|--------------|----------|-------|
| CA 9713 | ✓ | ✓ | - | - | - |

STALK LAMP (LEFT 45°)

CA 6198V

STALK LAMP (RIGHT 45°)

CA 6199V



| CODE | FRONT (White) | REAR (Red) | SIDE (Amber) | POSITION | ANGLE |
|----------|---------------|------------|--------------|----------|-------|
| CA 6198V | ✓ | ✓ | ✓ | Left | 45° |
| CA 6199V | ✓ | ✓ | ✓ | Right | 45° |

| Product Code | Voltage | ECE Reg | IP | Lens Material | Base Material | Fixing | Operation Temperature |
|--------------|---------|---------------------|------|---------------|---------------|-------------------|-----------------------|
| CA 9713 | 12-24v | 7 (Red) / 7 (Clear) | IP68 | PMMA | PVC | Surface Mounting | -30°C - +50°C |
| CA 9198V | 12-24v | 7 / 91 | IP68 | Polycarbonate | PVC | Vertical Mounting | -30°C - +50°C |
| CA 9199V | 12-24v | 7 / 91 | IP68 | Polycarbonate | PVC | Vertical Mounting | -30°C - +50°C |

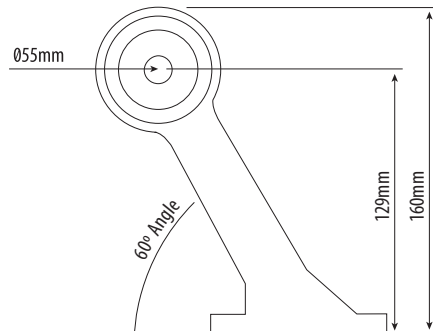
LED

STALK LAMP (LEFT 60°)

CA 6296

STALK LAMP (RIGHT 60°)

CA 6297

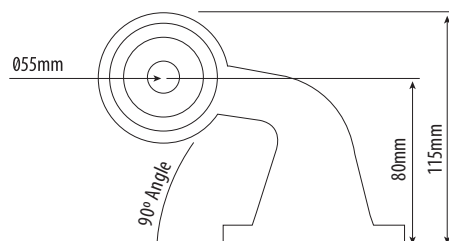


STALK LAMP (LEFT 90°)

CA 6298

STALK LAMP (RIGHT 90°)

CA 6299



| Product Code | Voltage | ECE Reg | IP | Lens Material | Base Material | Fixing | Operation Temperature |
|--------------|---------|---------------------|------|---------------|---------------|---------------|-----------------------|
| CA 6296 | 12-24v | 7 (Red) / 7 (Clear) | IP66 | Polycarbonate | ABS Housing | Surface Mount | -40°C - +65°C |
| CA 6297 | 12-24v | 7 (Red) / 7 (Clear) | IP66 | Polycarbonate | ABS Housing | Surface Mount | -40°C - +65°C |
| CA 6298 | 12-24v | 7 (Red) / 7 (Clear) | IP66 | Polycarbonate | ABS Housing | Surface Mount | -40°C - +65°C |
| CA 6299 | 12-24v | 7 (Red) / 7 (Clear) | IP66 | Polycarbonate | ABS Housing | Surface Mount | -40°C - +65°C |

LED Stalk Lamps

LED

STALK LAMP (LEFT 60°)

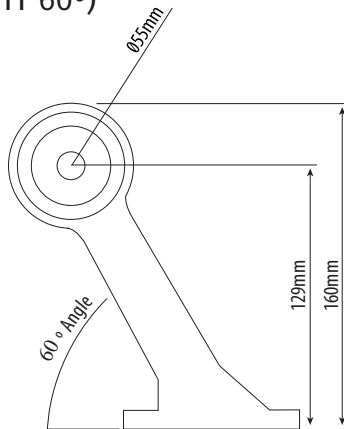
CA 6096

EPDM RUBBER HOUSING

EXTRA FLEXIBLE

STALK LAMP (RIGHT 60°)

CA 6097



STALK LAMP (LEFT 90°)

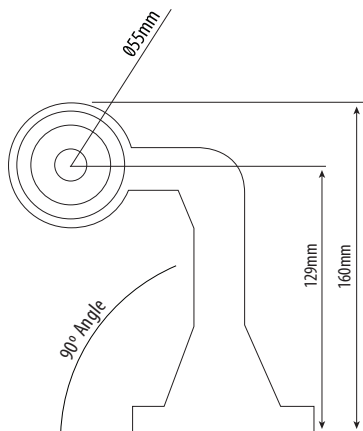
CA 6196

EPDM RUBBER HOUSING

EXTRA FLEXIBLE

STALK LAMP (RIGHT 90°)

CA 6197



| Product Code | Voltage | ECE Reg | IP | Lens Material | Base Material | Fixing | Operation Temperature |
|--------------|---------|---------------------|------|---------------|-----------------|---------------|-----------------------|
| CA 6096 | 12-24v | 7 (Red) / 7 (Clear) | IP67 | PMMA | EPDM Rubber Arm | Surface Mount | -40°C - +65°C |
| CA 6097 | 12-24v | 7 (Red) / 7 (Clear) | IP67 | PMMA | EPDM Rubber Arm | Surface Mount | -40°C - +65°C |
| CA 6196 | 12-24v | 7 (Red) / 7 (Clear) | IP67 | PMMA | EPDM Rubber Arm | Surface Mount | -40°C - +65°C |
| CA 6197 | 12-24v | 7 (Red) / 7 (Clear) | IP67 | PMMA | EPDM Rubber Arm | Surface Mount | -40°C - +65°C |

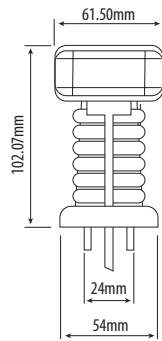
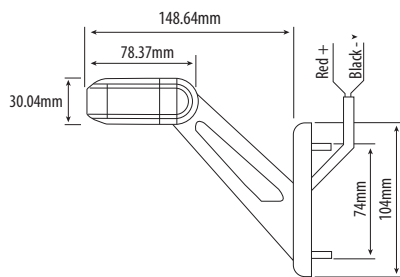
LED

STALK LAMP (LEFT 45°)

CA 6193V

STALK LAMP (RIGHT 45°)

CA 6194V



EPDM RUBBER HOUSING

VERTICAL MOUNT



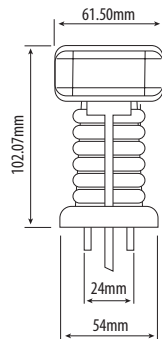
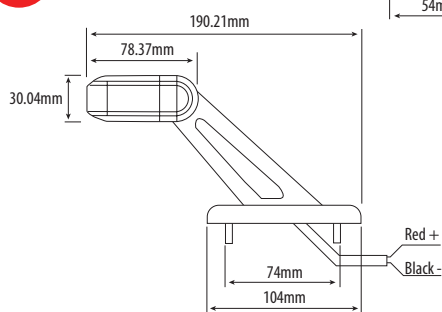
| CODE | FRONT (White) | REAR (Red) | SIDE (Amber) | POSITION | ANGLE |
|----------|---------------|------------|--------------|----------|-------|
| CA 6193V | ✓ | ✓ | ✓ | Left | 45° |
| CA 6194V | ✓ | ✓ | ✓ | Right | 45° |

STALK LAMP (LEFT 45°)

CA 6193

STALK LAMP (RIGHT 45°)

CA 6194



EPDM RUBBER HOUSING

HORIZONTAL MOUNT



| CODE | FRONT (White) | REAR (Red) | SIDE (Amber) | POSITION | ANGLE |
|---------|---------------|------------|--------------|----------|-------|
| CA 6193 | ✓ | ✓ | ✓ | Left | 45° |
| CA 6194 | ✓ | ✓ | ✓ | Right | 45° |

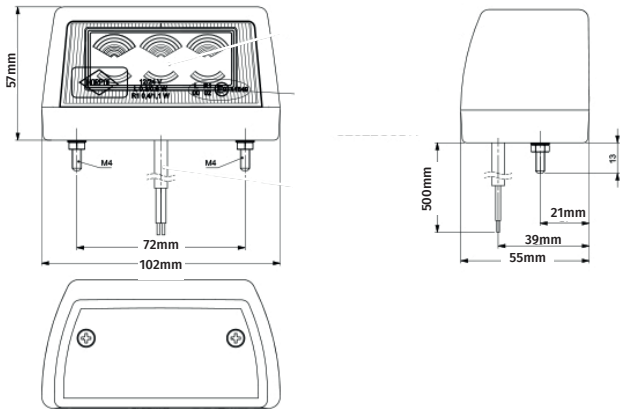
| Product Code | Voltage | ECE Reg | IP | Lens Material | Base Material | Fixing | Operation Temperature |
|--------------|---------|---------|------|---------------|-----------------|------------------|-----------------------|
| CA 6193V | 12-24v | 7 / 91 | IP67 | PMMA | EPDM Rubber Arm | Vertical Mount | -40°C - +65°C |
| CA 6194V | 12-24v | 7 / 91 | IP67 | PMMA | EPDM Rubber Arm | Vertical Mount | -40°C - +65°C |
| CA 6193 | 12-24v | 7 / 91 | IP67 | PMMA | EPDM Rubber Arm | Horizontal Mount | -40°C - +65°C |
| CA 6194 | 12-24v | 7 / 91 | IP67 | PMMA | EPDM Rubber Arm | Horizontal Mount | -40°C - +65°C |

LED Numberplate Lamps

LED

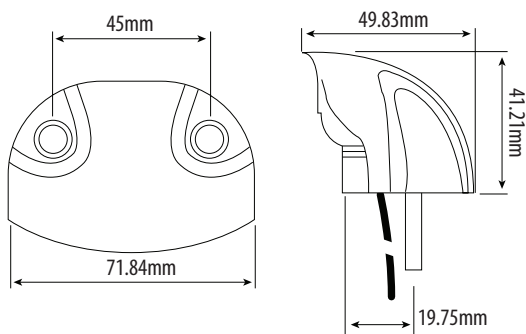
NUMBERPLATE LAMP

CA 7086



NUMBERPLATE LAMP

CA 7085



| Product Code | Voltage | ECE Reg | IP | Lens Material | Base Material | Fixing | Operation Temperature |
|--------------|---------|---------|------|---------------|------------------|---------------|-----------------------|
| CA 7086 | 12-24v | 4 | IP68 | PMMA | PC & ABS Housing | Surface Mount | -30°C - +50°C |
| CA 7085 | 10-30v | 4 | IP67 | Polycarbonate | ABS Housing | Surface Mount | -40°C - +65°C |

BULB

TRAILER BOARDS WITH FOG LIGHTS

CA 9500

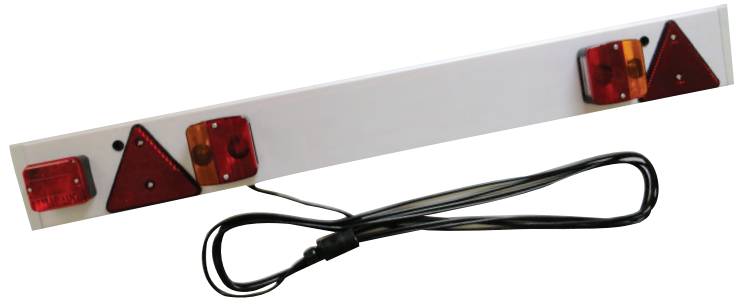
4ft Length / 7 Metre Cable

CA 9502

4ft Length / 12 Metre Cable

CA 9501

5ft Length / 12 Metre Cable



BULB

| CODE | REFLECTOR | STOP | TAIL | INDICATOR | FOG |
|------|-----------|------|------|-----------|-----|
| ALL | ✓ | ✓ | ✓ | ✓ | ✓ |

LED

LED TRAILER BOARDS WITH FOG LIGHTS

CA 9504

4ft Length / 7 Metre Cable

CA 9507

5ft Length / 12 Metre Cable

CA 9505

4ft Length / 12 Metre Cable



LED

| CODE | REFLECTOR | STOP | TAIL | INDICATOR | FOG |
|------|-----------|------|------|-----------|-----|
| ALL | ✓ | ✓ | ✓ | ✓ | ✓ |

| Product Code | Voltage | ECE Reg | IP | Fog Light | Light Source | Lens Material | Board Material | Power Connection | Cable Length | Board Length |
|--------------|---------|--------------------|------|-----------|--------------|---------------|----------------|------------------|--------------|--------------|
| CA 9500 | 12v | 3 / 4 / 6 / 7 / 38 | IP67 | ✓ | Bulb | Acrylic | PVC | 7 Pin | 7mtr | 4ft |
| CA 9502 | 12v | 3 / 4 / 6 / 7 / 38 | IP67 | ✓ | Bulb | Acrylic | PVC | 7 Pin | 12mtr | 4ft |
| CA 9501 | 12v | 3 / 4 / 6 / 7 / 38 | IP67 | ✓ | Bulb | Acrylic | PVC | 7 Pin | 12mtr | 5ft |
| CA 9504 | 12v | 3 / 4 / 6 / 7 / 38 | IP67 | ✓ | LED | Acrylic | PVC | 7 Pin | 7mtr | 4ft |
| CA 9507 | 12v | 3 / 4 / 6 / 7 / 38 | IP67 | ✓ | LED | Acrylic | PVC | 7 Pin | 12mtr | 5ft |
| CA 9505 | 12v | 3 / 4 / 6 / 7 / 38 | IP67 | ✓ | LED | Acrylic | PVC | 7 Pin | 12mtr | 4ft |

Trailer Lights

BULB

MAGNETIC TRAILER LIGHTS

CA 9550

7.5 Metre Cable

CA 9550L

Lens for: CA 9550, CA 9500, CA 9501, CA 9502, CA 9509.

CA 9200

Module for: CA 9550, CA 9500, CA 9501, CA 9502, CA 9509.



BULB

| CODE | REFLECTOR | STOP | TAIL | INDICATOR | FOG |
|---------|-----------|------|------|-----------|-----|
| CA 9550 | - | ✓ | ✓ | ✓ | - |

LED

LED MAGNETIC TRAILER LIGHTS

CA 9553

7.5 Metre Cable

CA 9554

12 Metre Cable



LED

| CODE | REFLECTOR | STOP | TAIL | INDICATOR | FOG |
|---------|-----------|------|------|-----------|-----|
| CA 9553 | ✓ | ✓ | ✓ | ✓ | - |
| CA 9554 | ✓ | ✓ | ✓ | ✓ | - |

| Product Code | Voltage | ECE Reg | IP | Light Source | Lens Material | Power Connection | Cable Length |
|--------------|---------|---------------|------|--------------|---------------|------------------|-------------------------------|
| CA 9550 | 12v | 4 / 6 / 7 | IP67 | Bulb | Acrylic | 7 Pin | 7.5mtr (2.5mtr between lamps) |
| CA 9553 | 12v | 3 / 4 / 6 / 7 | IP67 | LED | Acrylic | 7 Pin | 7.5mtr (2.5mtr between lamps) |
| CA 9554 | 12v | 3 / 4 / 6 / 7 | IP67 | LED | Acrylic | 7 Pin | 12mtr (2.5mtr between lamps) |



Interior Lights
Lead Lights
Flood Lights

Interior Lights

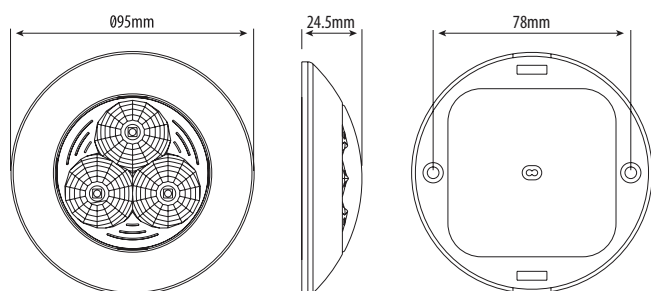
LED

4" ROUND INTERIOR LIGHT

CA 6151

400mm Cable

LED

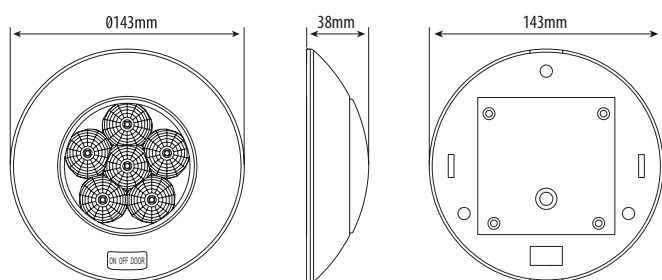


6" ROUND INTERIOR LIGHT (C/W SWITCH)

CA 6150

400mm Cable

LED

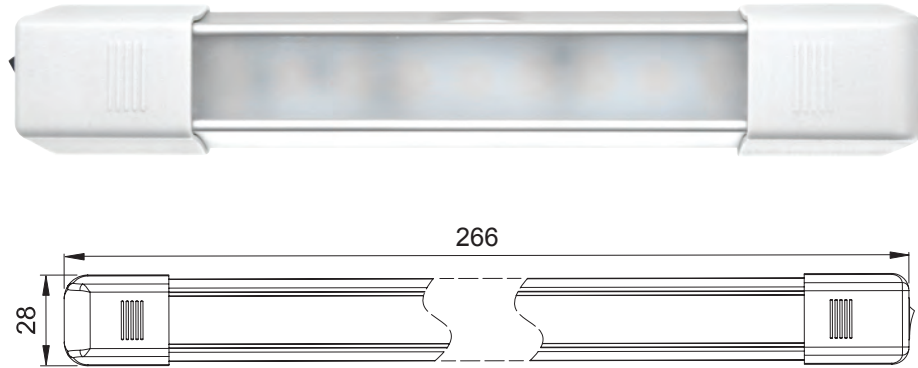


| Product Code | Voltage | LED | Lumens | Housing Material | Lens Material | Fixing | Watts | Switch |
|--------------|----------|-----|--------|------------------|---------------|---------------|-------|-------------|
| CA 6151 | 12 - 28v | 3 | 330 | ABS | Polycarbonate | Surface Mount | 3w | - |
| CA 6150 | 12 - 28v | 6 | 660 | ABS | Polycarbonate | Surface Mount | 6w | On/Off/Door |

SMD

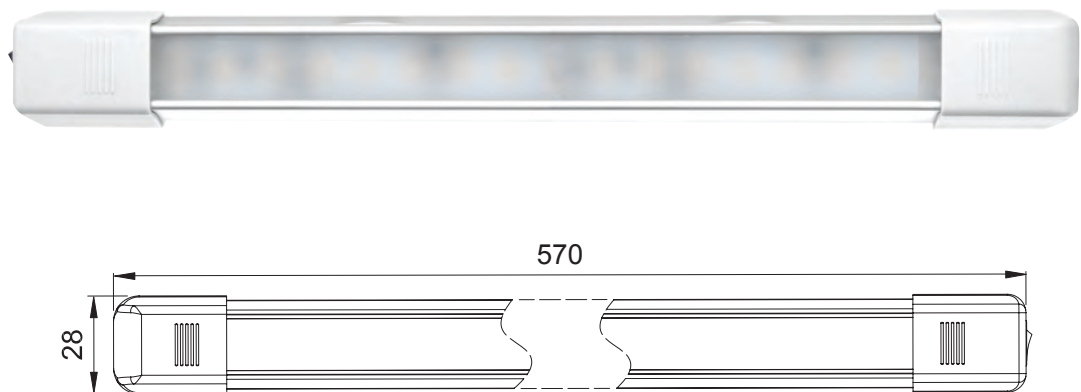
INTERIOR LIGHT (266mm)

CA 7079



INTERIOR LIGHT (570mm)

CA 7080



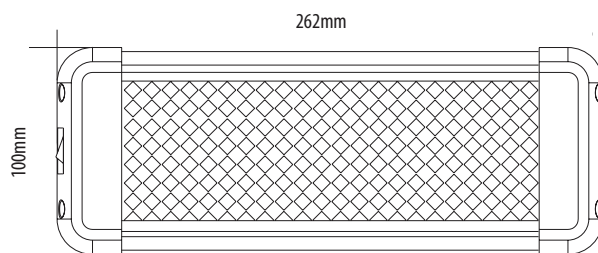
| Product Code | Voltage | LED | Lumens | Housing Material | Lens Material | Fixing | Watts | Switch |
|--------------|----------|-----|--------|------------------|---------------|----------------|-------|--------|
| CA 7079 | 12 - 24v | 18 | 380 | Acrylic | Aluminium | S/Steel Fixing | 3w | ✓ |
| CA 7080 | 12 - 24v | 45 | 900 | Acrylic | Aluminium | S/Steel Fixing | 6w | ✓ |

Interior Lights

SMD

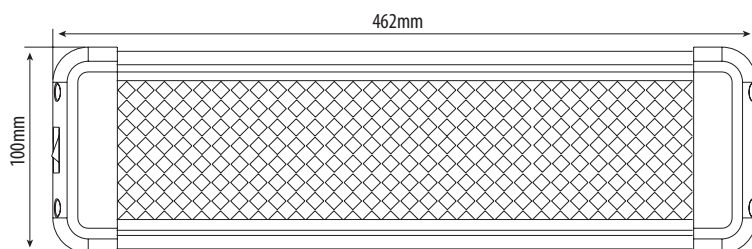
INTERIOR LIGHT (262mm)

CA 7078



INTERIOR LIGHT (452mm)

CA 7077



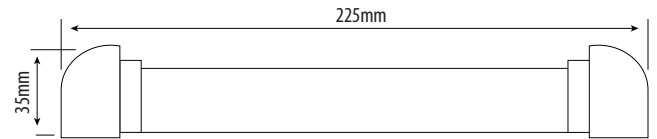
| Product Code | Voltage | LED | Lumens | Housing Material | Lens Material | Fixing | Watts | Switch |
|--------------|----------|--------|--------|------------------|---------------|---------------|-------|--------|
| CA 7078 | 12 - 24v | 48 SMD | 960 | Acrylic | Aluminium | Surface Mount | 7.7w | ✓ |
| CA 7077 | 12 - 24v | 96 SMD | 1920 | Acrylic | Aluminium | Surface Mount | 15.3w | ✓ |

LED

INTERIOR SWIVEL LIGHT (225mm)

CA 6078

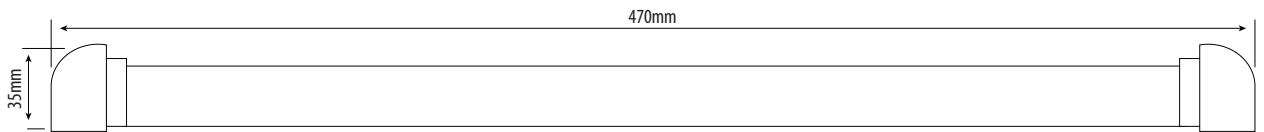
400mm Cable



INTERIOR SWIVEL LIGHT (470mm)

CA 6077

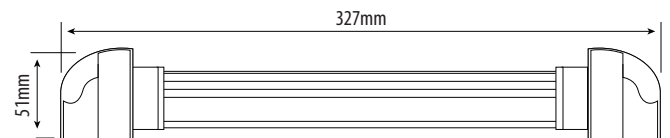
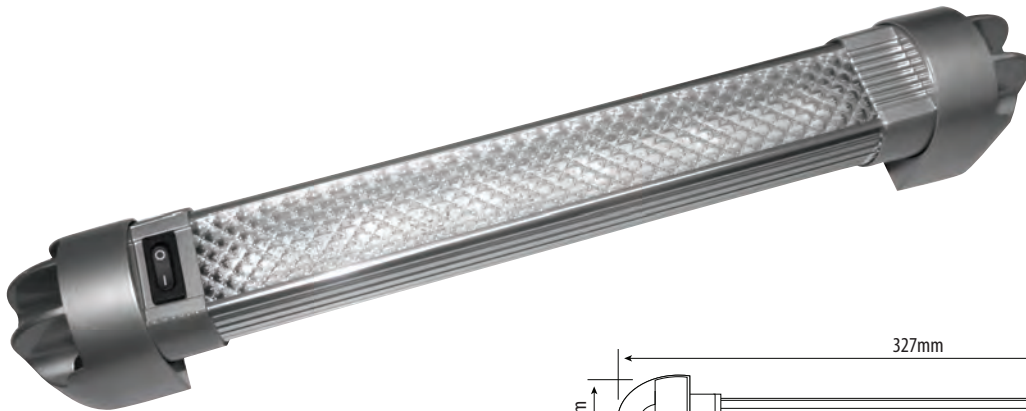
400mm Cable



INTERIOR SWIVEL LIGHT (327mm)

CA 6075

400mm Cable



ROBUST DESIGN & HOUSING

| Product Code | Voltage | LED | Lumens | Housing Material | Lens Material | Fixing | Watts | Switch |
|--------------|----------|-----|--------|------------------|---------------|----------------|-------|--------|
| CA 6078 | 12 - 24v | 10 | 60 | Acrylic | Aluminium | S/Steel Fixing | 1.4w | ✓ |
| CA 6077 | 12 - 24v | 30 | 120 | Acrylic | Aluminium | S/Steel Fixing | 1.4w | ✓ |
| CA 6075 | 12 - 28v | 6 | 600 | Acrylic | Aluminium | S/Steel Fixing | 6w | ✓ |

Interior Lights

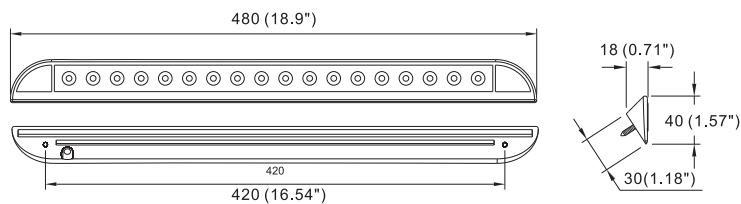
LED

CORNER INTERIOR LIGHT

CA 7081

FITS COMFORTABLY INTO A 90° CORNER

LED



| Product Code | Voltage | LED | IP | Lumens Material | Housing Material | Lens | Fixing | Watts |
|--------------|----------|--------|------|-----------------|------------------|---------------|---------------|-------|
| CA 7081 | 12 - 28v | 18 SMD | IP67 | 360 | ABS | Polycarbonate | Surface Mount | 3.6w |



SMD

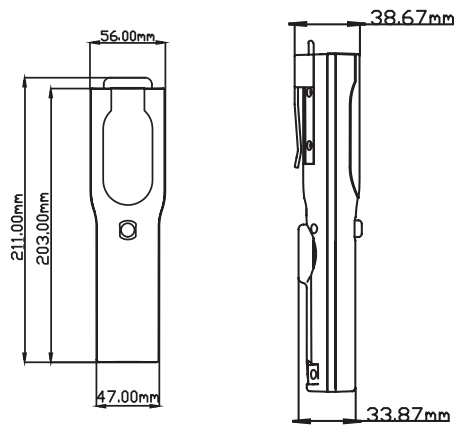
COMPACT RECHARGEABLE LEADLAMP

EP 068



EP 065

AC/DC Adaptor Head



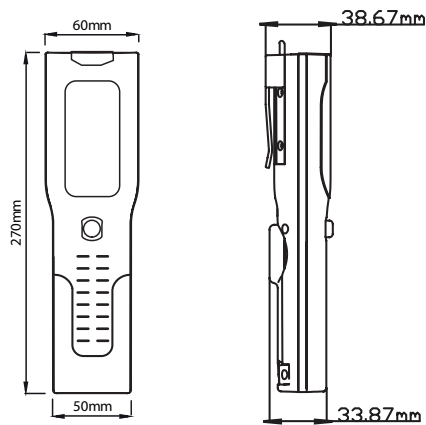
LED RECHARGEABLE LEADLAMP & TORCH

EP 069



EP 065

AC/DC Adaptor Head



| Product Code | Rechargeable | Magnets | Flash Lamp | Lumens | LED | Lens Material | Body Material | Charger | Working Hour |
|--------------|--------------|---------|------------|--------|-----|---------------|---------------|---------------|--------------|
| EP 068 | ✓ | 1 | ✓ | 500 | SMD | Polycarbonate | ABS | Mains/Car/USB | 3-5hrs |
| EP 069 | ✓ | 2 | ✓ | 300 | SMD | Polycarbonate | ABS | Mains/Car/USB | 3-5hrs |

LED Flood Lights

LED

WORKSHOP LED FLOOD LAMP

EP 6716

750 Lumens

WORKSHOP LED FLOOD LAMP

EP 6718

1500 Lumens



ACCESSORIES

EP 6717

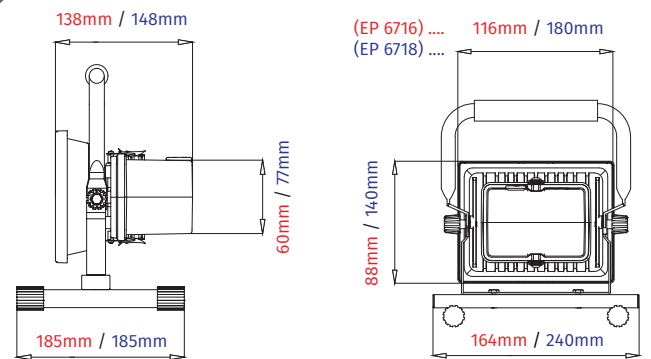
Add-on Magnets

EP 6716BATT

10v Battery Pack for EP 6716

EP 6718BATT

10v Battery Pack for EP 6718



| Product Code | Rechargeable | IP Rating | Lumens | LED | Lens | Body Material | Charger Material | Working Hours |
|--------------|---|-----------|--------|-----|---------------|---------------|------------------|---------------|
| EP 6716 | ✓ | IP54 | 750 | SMD | Polycarbonate | Aluminium | AC/DC/USB | 3.5 |
| EP 6718 | ✓ | IP54 | 1500 | SMD | Polycarbonate | Aluminium | AC/DC/USB | 4.5 |
| EP 6717 | Add - on Magnets Suitable for EP 6716 & EP 6718 | | | | | | | |
| EP 6716BATT | 10V Battery Pack for the EP 6716 | | | | | | | |
| EP 6718BATT | 10V Battery Pack for the EP 6718 | | | | | | | |

Contents

Reversing Aids

| | |
|------------------------------------|----|
| No Audio Reversing Camera Kit..... | 84 |
| Wireless Reversing Camera Kit..... | 85 |
| Monitors..... | 86 |
| Back Up Alarm..... | 86 |
| Warning Buzzer..... | 86 |
| Electric Horn..... | 86 |

Mirrors

| | |
|------------------------------|----|
| Universal Mirror Heads..... | 87 |
| Commercial Mirror Heads..... | 89 |

247 Safety

Reversing Camera Kits

KITS

7" REVERSING CAMERA KIT

CA 9762

2 Channel Input

On Screen Display Menu Function

Separately Set Each Camera Function



CA 9763
Monitor for CA 9762



CA 9764
Camera for CA 9762



CA 9756 (20mtr)
CA 9756.05 (5mtr)
CA 9756.10 (10mtr)
CA 9756.15 (15mtr)
Extension Cable

| Product Code | Voltage | Power | IP Rated | Display | Night Vision | Format | Operating Temperature | Brightness | Sun Visor |
|--------------|---|---------------------|------------------|------------------------------|--------------|------------------|-----------------------|-------------|-----------|
| CA 9762 | 11 - 32v | - | IP69 (Camera) | 800 RGB (H) x 480 (V) Dot | ✓ | PAL/NTSC Auto | -20°C - +70°C | (cd/m2):400 | ✓ |
| CA 9763 | 11 - 32v | Cable (Built In) | - | 800 RGB (H) x 480 (V) Dot | - | PAL/NTSC Auto | -20°C - +70°C | (cd/m2):400 | ✓ |
| CA 9764 | 4 Pin Connect | | IP69 | - | 15mtrs | - | -20°C - +70°C | - | ✓ |
| CA 9756 | 20mtr Extension Cable | | | | | | -20°C - +70°C | - | - |
| CA 9756.05 | 5mtr Extension Cable | | | | | | -20°C - +70°C | - | - |
| CA 9756.10 | 10mtr Extension Cable | | | | | | -20°C - +70°C | - | - |
| CA 9756.15 | 15mtr Extension Cable | | | | | | -20°C - +70°C | - | - |
| CA 9689 | Universal Stand for Colour Monitor / Fan Type | | | | | | | | |
| CA 9757 | Suzie Cable Lit for CA 9750 / CA 9762 | | | | | | | | |

KITS

WIRELESS REVERSING CAMERA KIT

CA 9812

Up to 2 Channels

Receiving Sensitivity: 89dB

Image Type: 1/4" Colour CMOS

Free Viewing Angle: 120°

Rated to IP69

Shock Proof: 10G

Split Screen Enabled

Digital Wireless Monitor

Removable Visor



| Product Code | Voltage | Power | IP Rated | Operating Frequency | Operating Distance | Display | Night Vision | Viewing Angle | Format | Operating Temperature | Brightness | Sun Visor |
|--------------|----------|--------------------|----------|---------------------|--------------------|--------------------------|--------------|---------------|----------|-----------------------|-------------|-----------|
| CA 9812 | 10 - 32v | - | IP69 | 2400-2483.5 MHZ | 100m | 800 (H) x 480 (V) Dot | ✓ | 120° | PAL/NTSC | -20°C - +70°C | (cd/m2):400 | ✓ |
| CA 9813 | 10 - 32v | Connector Plug | - | 2400-2483.5 MHZ | 100m | 800 (H) x 480 (V) Dot | - | - | PAL/NTSC | -20°C - +70°C | (cd/m2):400 | - |
| CA 9814 | - | 2 Pin Connector | IP69 | 2400-2483.5 MHZ | 100m | - | ✓ | 120° | - | -20°C - +70°C | - | ✓ |

Reversing Aids / Accessories

MONITOR

5" COLOUR MONITOR

CA 9758

Compatible with CA 9754 (Audio)

Compatible with CA 9764 (No Audio)



| Product Code | Voltage | Power | Display | Camera Input | Screen Display Options | Operating Temperature | Sun Visor |
|--------------|---------|---------------|-----------------------|--------------|------------------------|-----------------------|-----------|
| CA 9758 | 8 - 32v | 9 Pin Connect | 800 (H) x 480 (V) Dot | 2 | 1 | -20°C - +70°C | ✓ |

AIDS

STEAM CLEANABLE BACK UP ALARM

EP 1205

12 - 110 Volts

Sound Level: 107DB

EMC Compliant

CE Certified

Fully weatherproof & Pressure Washable

Reverse Polarity Protected

Epoxy Encapsulated Housing

-30°C to 77°C Extreme Temperature Reliability



WARNING BUZZERS*

BLEP 780

12 Volts / Black

BLEP 781

24 Volts / Red



ELECTRIC HORN*

BLEP 817

12 Volts

BLEP 816

12 Volts



*This item is Blister Packed & barcoded ready for resale. To purchase this item in bulk without packaging please use the same part number without the "BL" prefix

FLAT MIRROR HEAD

CA 200R

CA 200GR

Replacement Glass for CA 200R



FLAT MIRROR HEAD

CA 202R

CA 202GR

Replacement Glass for CA 202R



CONVEX MIRROR HEAD

CA 262R

CA 262GR

Replacement Glass for CA 262R



CONVEX MIRROR HEAD

CA 206R

CA 206GR

Replacement Glass for CA 206R



CONVEX MIRROR HEAD

CA 228R

CA 228GR

Replacement Glass for CA 228R



| Product Code | Type | ECE | Length | Width | Arm | Vehicle |
|--------------|--------|--------|--------|-------|-----------------|-----------|
| CA 200R | Flat | Reg 46 | 180mm | 125mm | Fits: 8mm | Universal |
| CA 202R | Flat | Reg 46 | 232mm | 145mm | Fits: 15, 18mm | Universal |
| CA 262R | Convex | Reg 46 | 240mm | 160mm | Fits: 10 - 24mm | Universal |
| CA 206R | Convex | Reg 46 | 375mm | 183mm | Fits: 15 - 28mm | Universal |
| CA 228R | Convex | Reg 46 | 260mm | 160mm | Fits: 15 - 28mm | Universal |

Reversing Mirrors

CONVEX MIRROR HEAD

CA 260R

CA 260GR

Replacement Glass for CA 260R



CONVEX MIRROR HEAD

CA 205R

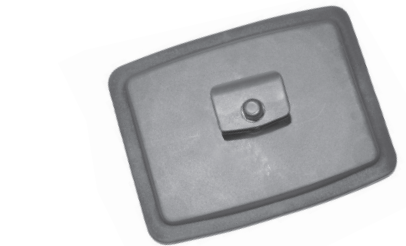
CA 205GR

Replacement Glass for CA 205R



CONVEX MIRROR HEAD

CA 2912R



BLIND SPOT MIRROR HEAD

CA 2920R



BLIND SPOT CONVEX MIRROR HEAD

CA 295R

CA 295GR

Replacement Glass for CA 295R



| Product Code | Type | ECE | Length | Width | Arm | Vehicle |
|--------------|------------|--------|--------|-------|-----------------|-----------|
| CA 260R | Convex | Reg 46 | 377mm | 189mm | Fits: 15 - 28mm | Universal |
| CA 205R | Convex | Reg 46 | 325mm | 175mm | Fits: 18mm | Universal |
| CA 2912R | Convex | Reg 46 | 236mm | 180mm | Fits: 16 - 20mm | Universal |
| CA 2920R | Blind Spot | Reg 46 | 255mm | 150mm | Fits: 15 - 28mm | Universal |
| CA 295R | Blind Spot | Reg 46 | 190mm | 189mm | Fits: 6,8mm | Universal |

CONVEX MIRROR HEAD

CA 280R



CONVEX MIRROR HEAD

CA 281R



CONVEX MIRROR HEAD

CA 282R



FLAT MIRROR HEAD

CA 283R



FLAT MIRROR HEAD

CA 284R



| Product Code | Type | ECE | Length | Width | Arm | |
|--------------|--------|--------|--------|-------|-----------------|--------------------|
| CA 280R | Convex | Reg 46 | 425mm | 195mm | Fits: 15 - 32mm | Commercial Vehicle |
| CA 281R | Convex | Reg 46 | 440mm | 220mm | Fits: 15 - 28mm | Commercial Vehicle |
| CA 282R | Convex | Reg 46 | 250mm | 165mm | Fits: 10 - 18mm | Commercial Vehicle |
| CA 283R | Flat | Reg 46 | 263mm | 160mm | Fits: 10 - 24mm | Commercial Vehicle |
| CA 284R | Flat | Reg 46 | 290mm | 175mm | Fits: 10 - 18mm | Commercial Vehicle |

Reversing Mirrors

CONVEX MIRROR HEAD

CA 285R



CONVEX MIRROR HEAD

CA 286R



CONVEX MIRROR HEAD

CA 287R



CONVEX MIRROR HEAD

CA 288R



| Product Code | Type | ECE | Length | Width | Arm | Vehicle |
|--------------|--------|--------|--------|-------|-----------------|--------------------|
| CA 285R | Convex | Reg 46 | 295mm | 215mm | Fits: 10 - 24mm | Commercial Vehicle |
| CA 286R | Convex | Reg 46 | 314mm | 228mm | Fits: 18mm | Commercial Vehicle |
| CA 287R | Convex | Reg 46 | 375mm | 200mm | Fits: 15 - 28mm | Commercial Vehicle |
| CA 288R | Convex | Reg 56 | 410mm | 205mm | Fits: 15 - 32mm | Commercial Vehicle |

Contents

Electrical Components

| | | | |
|--------------------------------------|---------|---------------------------|---------|
| Plugs & Sockets | 93-96 | Fuse Holders | 105 |
| Automotive Cable | 97-98 | Booster Cable | 106 |
| Starter Cable | 98 | Battery Connectors | 107-108 |
| Cable Accessories / Cable Ties | 99-100 | Electrical Switches | 109-118 |
| Wiring Accessories | 101-102 | Warning Lights | 118 |
| Fuses | 103-104 | | |

247 Electrical



TRAILER TESTER CONNECTOR

BLCA 9506*



2 POLE CONNECTOR

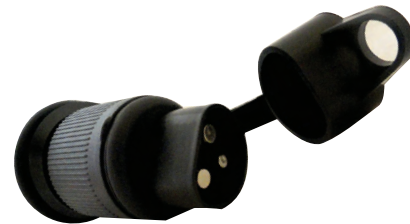
BLCA 300*

175 AMP



3 PIN MALE PLASTIC PLUG

EP 600C



3 PIN FEMALE PLASTIC SOCKET

EP 601C



SINGLE POLE PLUG / SOCKET

BLEP 750-1

Single pole plug

Single pole socket with cover



Handy Pack Available

*This item is Blister Packed and barcoded ready for resale. To purchase this item in bulk without packaging please use the same part number without the "BL" prefix

Plugs and Sockets

7 PIN PLUG (Aluminium)

CA 310

7 PIN PLUG (Plastic)

CA 310P



7 PIN SOCKET (Aluminium)

CA 311

7 PIN SOCKET (Plastic)

CA 311P

CA 312

Rubber Gasket For CA 311 Socket



13 PIN SOCKET WITH FOG PIN

CA 330P



13 PIN PLUG

CA 331P



7 PIN PRE-WIRE PLASTIC SOCKET KIT

CA 318



13 - 7 PLASTIC ADAPTOR

CA 332P

13 Pin Plug to 7 Pin Socket



7 - 13 PLASTIC ADAPTOR

CA 333P

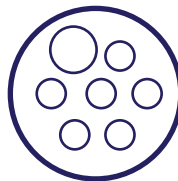
7 Pin Plug to 13 Pin Socket



7 PIN COMMERCIAL PLUG

BLCA 315*

(N Type) 24 Volt



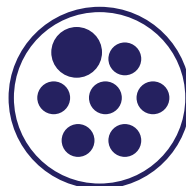
'N-Type' : 7F (One Large)



7 PIN COMMERCIAL SOCKET

BLCA 316*

(N Type) 24 Volt



'N-Type' : 7M (One Large)



*This item is Blister Packed and barcoded ready for resale. To purchase this item in bulk without packaging please use the same part number without the "BL" prefix

Plugs and Sockets

ELECTRICAL SUZIE EXTENSION (c/w 2 x 12v 7 Pin Plug)

BLCA 400*

3 Meter / 12v

BLCA 401*

6 Meter / 12v



ELECTRICAL SUZIE EXTENSION (c/w N-Type 12v 7 Pin Plug & Socket)

BLCA 416*

3 Meter / 12v



ELECTRICAL SUZIE EXTENSION (c/w 2 x 12v 7 Pin Sockets)

BLCA 405*

3 Meter / 24v



*This item is Blister Packed and barcoded ready for resale. To purchase this item in bulk without packaging please use the same part number without the "BL" prefix

AUTO CABLE SUPPLIED IN REELS / PVC COVER



| Product Code | Core | Strand | Wire ϕ mm | Cross Section mm^2 | Diameter ϕ mm | Current Amps | Colour | Coil Length Metres |
|--------------|---------|-----------------|----------------|-----------------------------|--------------------|--------------------|--------|--------------------|
| EP 610 | Single | 14 | 0.30 | 1 | 2.7 | 8.75 | Black | 50 |
| EP 610R | Single | 14 | 0.30 | 1 | 2.7 | 8.75 | Red | 50 |
| EP 611 | Single | 28 | 0.30 | 2 | 3.4 | 17.5 | Black | 50 |
| EP 611R | Single | 28 | 0.30 | 2 | 3.4 | 17.5 | Red | 50 |
| EP 612 | Single | 44 | 0.30 | 3 | 4.2 | 27.5 | Black | 30 |
| EP 612R | Single | 44 | 0.30 | 3 | 4.2 | 27.5 | Red | 30 |
| EP 612BR | Single | 44 | 0.30 | 3 | 4.2 | 27.5 | Brown | 30 |
| EP 613 | Single | 65 | 0.30 | 4.5 | 5.1 | 35 | Black | 30 |
| EP 613R | Single | 65 | 0.30 | 4.5 | 5.1 | 35 | Red | 30 |
| EP 613BR | Single | 65 | 0.30 | 4.5 | 5.1 | 35 | Brown | 30 |
| EP 614 | 2 Core | 14 | 0.30 | 2 x 1 | 7 x 4.1 | 8.75 | Black | 30 |
| EP 615 | 2 Core | 28 | 0.30 | 2 x 2 | 7.9 x 4.8 | 17.5 | Black | 30 |
| EP 616 | 3 Core | 14 | 0.30 | 3 x 1 | 7.5 | 8.75 | Black | 30 |
| EP 617 | 5 Core | 14 | 0.30 | 5 x 1 | 8.9 | 8.75 | Black | 30 |
| EP 618 | 7 Core | 7 x 9 | 0.30 | 7 x 0.65 | 9.0 | 5.75 | Black | 30 |
| EP 6181 | 7 Core | 6 x 14, 1 x 28 | 0.30 | 6 x 1, 1 x 2 | 10.2 | 6 x 8.75, 1 x 17.5 | Black | 30 |
| EP 623.10 | 8 Core | 7 x 14, 1 x 28 | 0.30 | 7 x 1, 1 x 2.5 | 10.8 | 8.75 - 17.5 | Black | 10 |
| EP 625.10 | 13 Core | 12 x 21, 1 x 35 | 0.30 | 12 x 1.5, 1 x 2.5 | 15.1 | 12.75 - 21.75 | Black | 10 |
| EP 614.100M | 2 Core | 14 | 0.30 | 2 x 1 | 7 x 4.1 | 8.75 | Black | 100 |
| EP 615.100M | 2 Core | 28 | 0.30 | 2 x 2 | 7.9 x 4.8 | 17.5 | Black | 100 |
| EP 618 100M | 7 Core | 7 X 9 | 0.30 | 7 x 0.65 | 9.0 | 5.75 | Black | 100 |

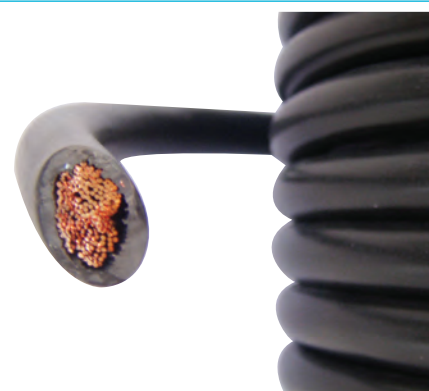
Auto / Starter Cable

AUTO CABLE SUPPLIED IN RETAIL PACKS / PVC COVER



| Product Code | Core | Strand | Wire ϕ mm | Cross Section mm^2 | Diameter ϕ mm | Current Amps | Colour | Coil Length Metre |
|--------------|--------|--------|----------------|-----------------------------|--------------------|--------------|--------|-------------------|
| EP 610.10 | Single | 14 | 0.30 | 1 | 2.7 | 8.75 | Black | 10 |
| EP 611.10 | Single | 28 | 0.30 | 2 | 3.4 | 17.5 | Black | 10 |
| EP 612.10 | Single | 44 | 0.30 | 3 | 4.2 | 27.5 | Black | 10 |
| EP 613.10 | Single | 65 | 0.30 | 4.5 | 5.1 | 35 | Black | 10 |
| EP 614.10 | 2 Core | 14 | 0.30 | 2 x 1 | 7 x 4.1 | 8.75 | Black | 10 |
| EP 615.10 | 2 Core | 28 | 0.30 | 2 x 2 | 7.9 x 4.8 | 17.5 | Black | 10 |
| EP 616.10 | 3 Core | 14 | 0.30 | 3 x 1 | 7.5 | 8.75 | Black | 10 |
| EP 617.10 | 5 Core | 14 | 0.30 | 5 x 1 | 8.9 | 8.75 | Black | 10 |
| EP 617.05 | 5 Core | 14 | 0.30 | 5 x 1 | 8.9 | 8.75 | Black | 5 |
| EP 618.10 | 7 Core | 7 x 9 | 0.30 | 7 x 0.65 | 9.0 | 5.75 | Black | 10 |
| EP 618.05 | 7 Core | 7 x 9 | 0.30 | 7 x 0.65 | 9.0 | 5.75 | Black | 5 |

STARTER CABLE SUPPLIED IN REELS / PVC COVER



| Product Code | Core | Strand | Wire ϕ mm | Cross Section mm^2 | Diameter ϕ mm | Current Amps | Colour | Coil Length Metre |
|--------------|--------|--------|----------------|-----------------------------|--------------------|--------------|--------|-------------------|
| EP 619 | Single | 196 | 0.39 | 25 | 9.5 | 170 | Black | 10 |
| EP 619R | Single | 196 | 0.39 | 25 | 9.5 | 170 | Red | 10 |
| EP 621 | Single | 315 | 0.40 | 40 | 12.2 | 300 | Black | 10 |
| EP 621R | Single | 315 | 0.40 | 40 | 12.2 | 300 | Red | 10 |
| EP 620 | Single | 474 | 0.39 | 60 | 14.5 | 415 | Black | 10 |
| EP 620R | Single | 474 | 0.39 | 60 | 14.5 | 415 | Red | 10 |

CABLE TIES (Blistered & Barcoded)



| Code | Colour | Width | Length | Qty. in Pack |
|----------|--------|--------|--------|--------------|
| EP 220C | Black | 2.5mm | 100mm | 100 |
| EP 222C | Black | 2.5mm | 160mm | 100 |
| EP 223C | Black | 3.6mm | 200mm | 100 |
| EP 224C | Black | 4.8mm | 200mm | 100 |
| EP 226C | Black | 4.8mm | 280mm | 100 |
| EP 228C | Black | 4.8mm | 380mm | 100 |
| EP 219C | Black | 7.6mm | 200mm | 100 |
| EP 227C | Black | 7.6mm | 300mm | 100 |
| EP 229C | Black | 7.6mm | 380mm | 100 |
| EP 240C | Black | 8.8mm | 450mm | 100 |
| EP 241C | Black | 8.8mm | 550mm | 100 |
| EP 242C | Black | 8.8mm | 750mm | 100 |
| EP 230C | Black | 12.4mm | 650mm | 100 |
| EP 223WC | White | 3.6mm | 200mm | 100 |
| EP 224WC | White | 4.8mm | 200mm | 100 |
| EP 226WC | White | 4.8mm | 280mm | 100 |
| EP 228WC | White | 4.8mm | 380mm | 100 |
| EP 229WC | White | 7.6mm | 380mm | 100 |
| EP 242WC | White | 8.8mm | 750mm | 100 |
| EP 237C | Silver | 4.8mm | 300mm | 100 |
| EP 238C | Silver | 4.8mm | 380mm | 100 |

ADHESIVE CABLE TIE BASE

BLEP 235

Qty: 25 / 4. & *28*28mm

EP 235

Qty: 100 / 4. & *28*28mm



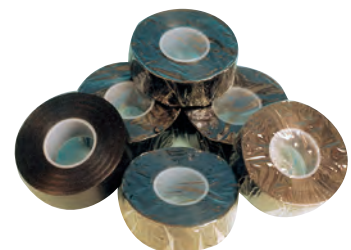
PVC INSULATION TAPE

BLEP 410*

Qty: 2 / Blistered / 20 Metre Roll / 19mm Wide

EP 410

Qty: 10 / 20 Metre Roll / 19mm Wide



*This item is Blister Packed and barcoded ready for resale. To purchase this item in bulk without packaging please use the same part number without the "BL" prefix

NYLON CONDUIT



| Product | Type | ∅ Inside | ∅ Outside | Coil Length |
|---------|---------|----------|-----------|-------------|
| EP 146 | Split | 6.9mm | 10mm | 25m |
| EP 147 | Split | 10.1mm | 13mm | 25m |
| EP 148 | Split | 11.8mm | 16mm | 25m |
| EP 149 | Split | 14.5mm | 18.5mm | 25m |
| EP 1495 | Split | 16.9mm | 21.2mm | 25m |
| EP 1521 | Split | 21.3mm | 25.6mm | 25m |
| EP 1525 | Split | 23.5mm | 28.3mm | 25m |
| EP 180 | Unsplit | 6.9mm | 10mm | 25m |
| EP 181 | Unsplit | 10.1mm | 13mm | 25m |
| EP 182 | Unsplit | 11.8mm | 16mm | 25m |
| EP 183 | Unsplit | 14.5mm | 18.5mm | 25m |
| EP 184 | Unsplit | 16.9mm | 21.2mm | 25m |
| EP 185 | Unsplit | 20.1mm | 24.5mm | 25m |
| EP 186 | Unsplit | 23.5mm | 28.3mm | 25m |

| Product | Colour | ∅ Diameter | Coil Length |
|---------|--------|------------|-------------|
| EP 114 | ■ | 4.8mm | 75m |
| EP 114R | ■ | 4.8mm | 75m |
| EP 115 | ■ | 6.4mm | 75m |
| EP 115R | ■ | 6.4mm | 75m |
| EP 116 | ■ | 9.5mm | 75m |
| EP 116R | ■ | 9.5mm | 75m |



HEAT SHRINK SUPPLIED IN ASSORTED BOX

AP 250

| Product | Colour | ∅ Diameter | Coil Length |
|---------|--------|-------------|-------------|
| AP 250 | ■ ■ | 4.8 - 9.5mm | Assorted |



RED

RED WIRING TERMINAL

Red Term Speaker
EP 339
4.8mm | Qty: 100



Red Term F/ins Spade
EP 341
4.8mm | Qty: 100



Red Term Spade
EP 340
6.3mm | Qty: 100



Red Term F/ins Spade
EP 344
6.3mm | Qty: 100



Red Term Male Blade
EP 343
6.3mm | Qty: 100



Red Term Piggyback
EP 345
6.3mm | Qty: 100



Red Red Term Butt
EP 342
4mm | Qty: 100



Red Term Bullet
EP 346
5mm | Qty: 100



Red Term Socket
EP 347
4mm | Qty: 100



Red Red Ring
EP 352
4.8mm | Qty: 100



Red Term Bullet
EP 353
6.3mm | Qty: 100



BLUE

BLUE WIRING TERMINAL

Blue Term Spade small
EP 299
4.8mm | Qty: 100



Blue Term Spade
EP 300
6.3mm | Qty: 100



Blue Term F/ins Spade
EP 301
6.3mm | Qty: 100



Blue Term Piggyback
EP 302
6.3mm | Qty: 100



Blue Term Male Blade
EP 303
6.3mm | Qty: 100



Blue Term Bullet
EP 304
5mm | Qty: 100



Blue Term Socket
EP305
5mm | Qty: 100



Blue Term Butt
EP 307
5mm | Qty: 100



Blue Term Fork
EP 308
5.3mm | Qty: 100



Blue Term Ring
EP 319
5.3mm | Qty: 100



Blue Term Ring
EP 320
6.4mm | Qty: 100



Blue Term Ring
EP 321
8.4mm | Qty: 100



Blue Term Ring
EP 322
10.5mm | Qty: 100



Blue Term Ring
EP 323
13mm | Qty: 100



YELLOW

YELLOW WIRING TERMINAL

Yellow Term Spade
EP 324
6.3 mm | Qty: 100



Yellow Term F/ins Spade
EP 325
6.3 mm | Qty: 100



Yellow Term Dynamo
EP 326
9.5 mm | Qty: 100



Yellow Term Spade
EP 334
F/ins Dynamo
9.5 mm | Qty: 100



Yellow Term Male Blade
EP 327
6.3 mm | Qty: 100



Yellow Term Piggyback
EP 336
6.3 mm | Qty: 100



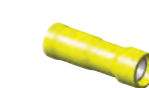
Yellow Term Butt
EP 328
6mm | Qty: 100



Yellow Term Bullet
EP 337
5.0 mm | Qty: 100



Yellow Term Socket
EP 338
5.0 mm | Qty: 100



Yellow Term Ring
EP 329
6.3 mm | Qty: 100



Yellow Term Ring
EP 330
8.4 mm | Qty: 100



Yellow Term Ring
EP 331
10.5 mm | Qty: 100



Yellow Term Ring
EP 332
13 mm | Qty: 100



HANDY PACKS AND RETAIL PACKS ALSO AVAILABLE

STRIP CONNECTORS

| Code | Description | Amp | Unit |
|----------|------------------|--------|------|
| BLEP 380 | Strip Connectors | 5 Amp | 2 |
| BLEP 381 | Strip connectors | 15 Amp | 2 |
| BLEP 382 | Strip Connector | 30 Amp | 1 |
| EP 380 | Strip Connectors | 5 Amp | 10 |
| EP 381 | Strip connectors | 15 Amp | 10 |
| EP 382 | Strip Connectors | 30 Amp | 10 |



HEATSHRINK WIRE JOINERS

Handy Pack Available

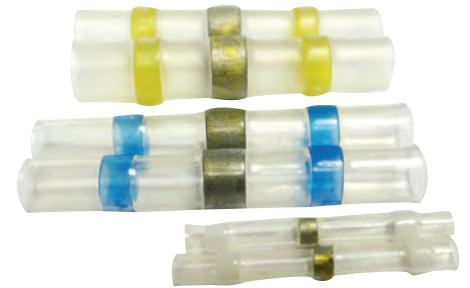
| Code | Description | Size | Colour | Unit |
|--------|-----------------------|--------|--------|------|
| EP 100 | Insulated Wire Joiner | Small | Red | 100 |
| EP 101 | Insulated Wire Joiner | Medium | Blue | 100 |
| EP 102 | Insulated Wire Joiner | Large | Yellow | 100 |



SOLDERED HEATSHRINK WIRE JOINERS

Handy Pack Available

| Code | Description | Size | Colour | Unit |
|--------|-------------|----------------------------|--------|------|
| EP 110 | Heatshrink | 0.1mm - 0.5mm ² | Clear | 10 |
| EP 111 | Heatshrink | 0.5mm - 1.5mm ² | Red | 25 |
| EP 112 | Heatshrink | 1.5mm - 2.5mm ² | Blue | 25 |
| EP 113 | Heatshrink | 3.2mm - 6.0mm ² | Yellow | 10 |



SCOTCHLOKS

EP 360

Qty: 100

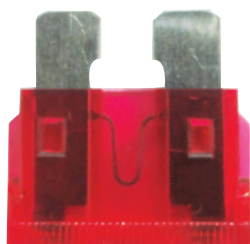
Handy Pack Available



*This item is Blister Packed and barcoded ready for resale. To purchase this item in bulk without packaging please use the same part number without the "BL" prefix

STANDARD BLADE FUSES

Handy Pack Available



| Code | Description | Current | Colour | Unit |
|--------|---------------------|---------|--------|------|
| EP 020 | Standard Blade Fuse | 3 Amp | Violet | 50 |
| EP 021 | Standard Blade Fuse | 4 Amp | Pink | 50 |
| EP 022 | Standard Blade Fuse | 5 Amp | Tan | 100 |
| EP 023 | Standard Blade Fuse | 7.5 Amp | Brown | 100 |
| EP 024 | Standard Blade Fuse | 10 Amp | Red | 100 |
| EP 025 | Standard Blade Fuse | 15 Amp | Blue | 100 |
| EP 026 | Standard Blade Fuse | 20 Amp | Yellow | 100 |
| EP 027 | Standard Blade Fuse | 25 Amp | Clear | 100 |
| EP 028 | Standard Blade Fuse | 30 Amp | Green | 100 |
| EP 029 | Standard Blade Fuse | 40 Amp | Brown | 100 |

MINI BLADE FUSES

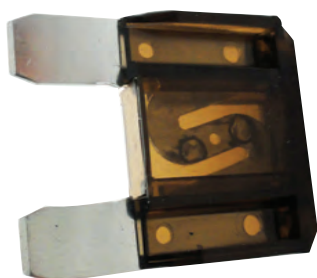
Handy Pack Available



| Code | Description | Current | Colour | Unit |
|-------------|-----------------|---------|--------|------|
| EP 019 MINI | Mini Blade Fuse | 2 Amp | Gray | 50 |
| EP 020 MINI | Mini Blade Fuse | 3 Amp | Violet | 50 |
| EP 021 MINI | Mini Blade Fuse | 4 Amp | Pink | 50 |
| EP 022 MINI | Mini Blade Fuse | 5 Amp | Tan | 100 |
| EP 023 MINI | Mini Blade Fuse | 7.5 Amp | Brown | 100 |
| EP 024 MINI | Mini Blade Fuse | 10 Amp | Red | 100 |
| EP 025 MINI | Mini Blade Fuse | 15 Amp | Blue | 100 |
| EP 026 MINI | Mini Blade Fuse | 20 Amp | Yellow | 100 |
| EP 027 MINI | Mini Blade Fuse | 25 Amp | Clear | 100 |
| EP 028 MINI | Mini Blade Fuse | 30 Amp | Green | 100 |

MAXI BLADE FUSES

Handy Pack Available



| Code | Description | Current | Colour | Unit |
|-------------|-----------------|---------|-----------|------|
| EP 026 Maxi | Maxi Blade Fuse | 20 Amp | Yellow | 10 |
| EP 028 Maxi | Maxi Blade Fuse | 30 Amp | Green | 10 |
| EP 029 Maxi | Maxi Blade Fuse | 40 Amp | Orange | 10 |
| EP 030 Maxi | Maxi Blade Fuse | 50 Amp | Red | 10 |
| EP 031 Maxi | Maxi Blade Fuse | 60 Amp | Blue | 10 |
| EP 032 Maxi | Maxi Blade Fuse | 70 Amp | Amber/Tan | 10 |
| EP 033 Maxi | Maxi Blade Fuse | 80 Amp | Clear | 10 |
| EP 034 Maxi | Maxi Blade Fuse | 100 Amp | Violet | 10 |

ASSORTED STANDARD BLADE FUSES

AP 235

180 Pieces



ASSORTED MINI BLADE FUSES

AP 237

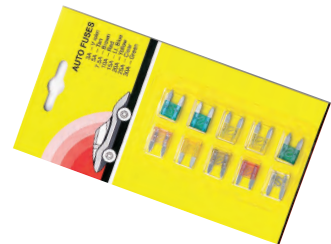
105 Pieces



ASSORTED STANDARD BLADE FUSES

AP 233

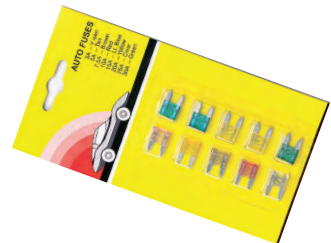
10 Pieces



ASSORTED MINI BLADE FUSES

AP 234

10 Pieces



BOLT ON FUSES

Handy Pack Available



| Code | Description | Current | Unit |
|--------|--------------|---------|------|
| EP 420 | Bolt On Fuse | 40 Amp | 1 |
| EP 422 | Bolt On Fuse | 60 Amp | 1 |
| EP 424 | Bolt On Fuse | 80 Amp | 1 |
| EP 426 | Bolt On Fuse | 100 Amp | 1 |
| EP 428 | Bolt On Fuse | 125 Amp | 1 |
| EP 430 | Bolt On Fuse | 150 Amp | 1 |
| EP 432 | Bolt On Fuse | 175 Amp | 1 |
| EP 434 | Bolt On Fuse | 200 Amp | 1 |
| EP 436 | Bolt On Fuse | 225 Amp | 1 |
| EP 438 | Bolt On Fuse | 250 Amp | 1 |
| EP 439 | Bolt On Fuse | 300 Amp | 1 |
| EP 440 | Bolt On Fuse | 500 Amp | 1 |

IN-LINE BLADES FUSE HOLDER

BLEP 039*

Qty: 2

EP 039

Qty: 10

Handy Pack Available



MAXI BLADE FUSE HOLDER

BLEP 039 MAXI*



MEGA BLADE FUSE HOLDER

BLEP 044*



8 WAY JUNCTION BOX

BLEP 773*



STANDARD BLADE FUSE BOX*



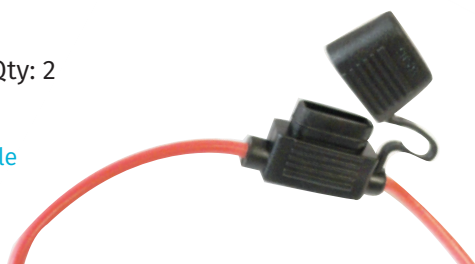
| Code | Description | Function | Unit |
|----------|----------------|----------|------|
| BLEP 785 | Blade Fuse Box | 4 Way | 1 |
| BLEP 786 | Blade Fuse Box | 6 Amp | 1 |

SPLASH PROOF BLADE FUSE HOLDER

BLEP 042*

Standard Type / Qty: 2

Handy Pack Available
on some products



EP 045

Mini Type / Qty: 10

EP 042

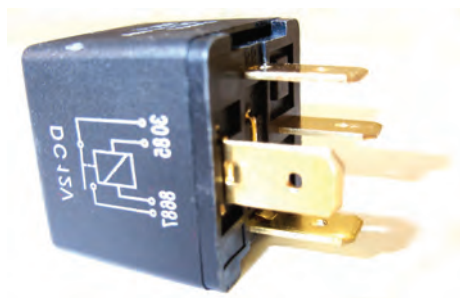
Standard Type / Qty: 10

EP 046

Maxi Type / Qty: 10

RELAYS

Handy Pack Available



| Code | Description | Voltage | Current |
|------------|-------------|---------|-----------|
| BLEP REL15 | 4 Pin | 12v | 35/40 Amp |
| BLEP REL7 | 5 Pin | 12v | 20/30 Amp |
| BLEP REL8 | 5 Pin | 24v | 10/20 Amp |

*This item is Blister Packed and barcoded ready for resale. To purchase this item in bulk without packaging please use the same part number without the "BL" prefix

Booster Cables

BOOSTER CABLES

| Code | Description | Metres | Diameter | AMP |
|--------|------------------|------------|----------|---------|
| EP 059 | Light Duty | 3 metres | 16mm | 400 Amp |
| EP 061 | Medium Duty | 3.5 metres | 25mm | 500 Amp |
| EP 060 | Heavy Duty | 3.5 metres | 35mm | 600 Amp |
| EP 062 | Extra Heavy Duty | 4.5 metres | 50mm | 800 Amp |



BOOSTER CABLE GRIPS (HEAVY DUTY)

[BLEP 060B](#)

[BLEP 060R](#)

BOOSTER CABLE GRIPS (EXTRA HEAVY DUTY)

[BLEP 063B](#)

[BLEP 063R](#)

| Code | Description | Grip | Colour |
|-----------|-------------|------|--------|
| BLEP 060B | Light Duty | ✓ | Black |
| BLEP 060R | Light Duty | ✓ | Red |
| BLEP 063B | Heavy Duty | ✓ | Black |
| BLEP 063R | Heavy Duty | ✓ | Red |



CROCODILE CLIPS (25 AMP)

[EP 392](#)

[Handy Pack Available](#)

CROCODILE CLIPS (50 AMP)

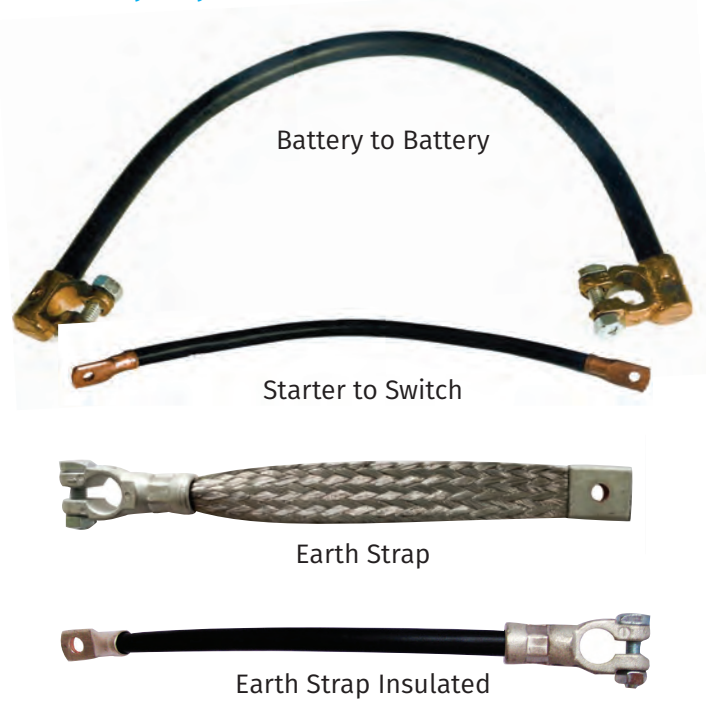
[EP 393](#)



*This item is Blister Packed and barcoded ready for resale. To purchase this item in bulk without packaging please use the same part number without the "BL" prefix

BATTERY LEADS & EARTH STRAPS

Extra Heavy Duty



| Product | Description | Size |
|---------|-------------------------|---------|
| EP 820 | Battery to Battery | 12 inch |
| EP 821 | Battery to Battery | 18 inch |
| EP 830 | Starter to Switch | 12 inch |
| EP 831 | Starter to Switch | 18 inch |
| EP 832 | Starter to Switch | 24 inch |
| EP 840 | Earth Strap | 9 inch |
| EP 841 | Earth Strap | 12 inch |
| EP 843 | Earth Strap | 16 inch |
| EP 844 | Earth Strap | 24 inch |
| EP 850 | Earth Strap & Insulated | 12 inch |
| EP 851 | Earth Strap & Insulated | 18 inch |
| EP 852 | Earth Strap & Insulated | 24 inch |

CABLE LUGS

Handy Pack Available



BLEP 210

Cable Lug 12pce Assortment

| Code | Size | Cable | Unit |
|----------|-----------|---------------|------|
| BLEP 210 | 8mm Hole | 35mm Sq Cable | 2 |
| - | 10mm Hole | 35mm Sq Cable | 2 |
| - | 12mm Hole | 35mm Sq Cable | 2 |
| - | 8mm Hole | 50mm Sq Cable | 2 |
| - | 10mm Hole | 50mm Sq Cable | 2 |
| - | 10mm Hole | 70mm Sq Cable | 2 |

| Code | Size | Cable | Unit |
|-----------|-----------|---------------|------|
| BLEP 200* | 8mm Hole | 35mm Sq Cable | 2 |
| EP 200* | 8mm Hole | 35mm Sq Cable | 10 |
| BLEP 201* | 10mm Hole | 35mm Sq Cable | 2 |
| EP 201* | 10mm Hole | 35mm Sq Cable | 10 |
| BLEP 202* | 12mm Hole | 35mm Sq Cable | 2 |
| EP 202* | 12mm Hole | 35mm Sq Cable | 10 |
| BLEP 203* | 8mm Hole | 50mm Sq Cable | 2 |
| EP 203* | 8mm Hole | 50mm Sq Cable | 10 |
| BLEP 204* | 10mm Hole | 50mm Sq Cable | 2 |
| EP 204* | 10mm Hole | 50mm Sq Cable | 10 |
| BLEP 205* | 10mm Hole | 70mm Sq Cable | 2 |
| EP 205* | 10mm Hole | 70mm Sq Cable | 10 |
| EP 209 | 12mm Hole | 50mm Sq Cable | 10 |
| EP 206 | 12mm Hole | 70mm Sq Cable | 10 |
| EP 207 | 12mm Hole | 95mm Sq Cable | 10 |

*This item is Blister Packed and barcoded ready for resale. To purchase this item in bulk without packaging please use the same part number without the "BL" prefix

Battery Connectors

BATTERY TERMINALS

Handy Pack Available



Car



Tractor



Truck

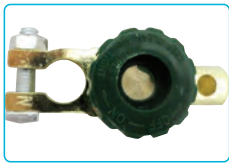


Lug

| Code | Type | C.Hole | Pole | Unit |
|------------|---------|--------|-------------------|------|
| EP 164 | Car | 9mm | Positive | 10 |
| EP 163 | Car | 9mm | Negative | 10 |
| BLEP 153-4 | Tractor | 12mm | Positive/Negative | 2 |
| EP 153 | Tractor | 12mm | Positive | 10 |
| EP 154 | Tractor | 12mm | Negative | 10 |
| EP 157 | Truck | 14mm | Positive | 10 |
| EP 158 | Truck | 14mm | Negative | 10 |
| EP 167 | Lug | 8mm | Positive | 10 |
| EP 168 | Lug | 8mm | Negative | 10 |
| BLEP 165-6 | Lug | 10mm | Positive/Negative | 2 |
| EP 165 | Lug | 10mm | Positive | 10 |
| EP 166 | Lug | 10mm | Negative | 10 |

BRASS BATTERY CUT OFF TERMINAL

EP 155*



| Product | Description | Features | Amps | Finish |
|---------|-------------|---------------------------------------|----------------------------|--------------|
| EP 155 | Heavy Duty | Power Disconnect Easy Installation | 500 Peak 125 Continuous | Brass Plated |

BATTERY HOLDING BRACKET

EP 145



*This item is Blister Packed and barcoded ready for resale. To purchase this item in bulk without packaging please use the same part number without the "BL" prefix

ISOLATOR SWITCH

BLEP 740*

BLEP 735*

Replacement Key



12V MASTER BATTERY ISOLATOR SWITCH

BLEP 741

Battery Isolator with removable key and splashproof cover.

- With Independent ignition switching and controlled earth leakage through a resistor to avoid damage through load dumping.
- Rated 100A @24V and 500A for 5 seconds
- M10 Studs



ISOLATOR SWITCH

BLEP 742*

BLEP 742K*

Replacement Key



| Product | Description | Amp | Fitting | Functions | Splashproof |
|----------|-----------------------|---------------------------------------|---------|---------------|-------------|
| BLEP 740 | Isolator / Light duty | 100 | - | Fixed Handle | ✓ (Cover) |
| BLEP 741 | 12v Isolator Switch | 100A cont.@12v / 500A peak for 5 sec. | - | Removable Key | ✓ (Cover) |
| BLEP 742 | Isolator / Heavy Duty | 250 | - | Fixed Handle | ✓ (Cover) |

*This item is Blister Packed and barcoded ready for resale. To purchase this item in bulk without packaging please use the same part number without the "BL" prefix

Electrical Switches

EMERGENCY STOP HEAVY DUTY PUSH BUTTON

BATTERY ISOLATOR SWITCH

BLEP 745

Heavy Duty · 250A continuous @ 24V, 2500A Peak
Fixed Key · 12/24V Compatible



FIXED HANDLE ISOLATOR SWITCH

BLEP 744*



ISOLATOR SWITCH

BLEP 719*



ECONOMY SWITCH

BLEP 711*

Off / Ignit / Pre-Heat / Start



BLEP 714*

Spare Key to suit

BLEP 711 / BLEP 718

PREMIUM IGNITION SWITCH

BLEP 718*

Off / Ignit / Pre-Heat / Start



BLEP 714*

Spare Key to suit

BLEP 711 / BLEP 718

| Product | Description | Amp | Fitting | Functions | Splashproof |
|----------|--------------------------------|---------------------------------|-----------|-------------------|-------------|
| BLEP 745 | Emergency Stop Isolator Switch | 250 continuous@24v / 2500A peak | - | Fixed Key | ✓ |
| BLEP 744 | Fixed Handle Isolator Switch | 250A | 30mm | Fixed Handle | ✓ |
| BLEP 719 | Isolator / Light Duty | 100 | 29mm | Fixed Handle | ✓ |
| BLEP 711 | Economy Switch | Not Insulated | 16mm Hole | 4 Position Switch | - |
| BLEP 718 | Lucas Ignition Switch | Not Insulated | 16mm Hole | 4 Position Switch | - |

*This item is Blister Packed and barcoded ready for resale. To purchase this item in bulk without packaging please use the same part number without the "BL" prefix

HEAD LAMP SWITCHES*

BLEP 730*

BLEP 733*



BLEP 730



BLEP 733

RED SWITCH (AIRCRAFT STYLE) COVER

BLEP 772C

Used for: EP 701 / EP 709Q

EP 706 / BLEP 700 / BLEP 707



3 HOLE ALUMINIUM PANEL WITH SWITCHES

EP 747

Comes with:

EP 701 (2 way Flick Switch)

EP 796 (Red warning Light)

EP 729Q (Horn Button)



5 HOLE ALUMINIUM PANEL WITH SWITCHES

EP 748

Comes with:

EP 701 x 2 (2 way Flick Switch)

EP 796 x 1 (Red warning Light)

EP 729Q x 1 (Horn Button)



| Product | Description | Fitting | Functions |
|-----------|--------------------------------------|---|-------------------|
| BLEP 730 | Horn / Head Light | Suit: Massey / David Brown | 3 Position Switch |
| BLEP 733 | Head Light | Suit: Ford | On |
| BLEP 772C | Aircraft Style Switch Cover | Suit: EP 701 / EP 706 / BLEP 700 / BLEP 707 | - |
| EP 747 | 3 Hole Aluminium Panel with Switches | Includes: EP 701 / EP 796 / EP 729Q | - |
| EP 748 | 5 Hole Aluminium Panel with Switches | Includes: EP 701 x 2 / EP 796 x 1 / EP 729Q x 1 | - |

*This item is Blister Packed and barcoded ready for resale. To purchase this item in bulk without packaging please use the same part number without the "BL" prefix

Electrical Switches

PUSH BUTTON SWITCH

BLEP 723*

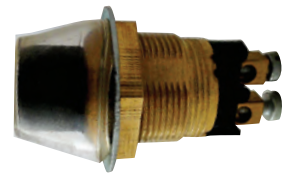
Handy Pack Available



PUSH BUTTON SWITCH

BLEP 725*

Splashproof



PUSH BUTTON MOMENTARY SWITCH

BLEP 736



PUSH BUTTON MOMENTARY SWITCH

BLEP 734



PUSH BUTTON MOMENTARY SWITCH

BLEP 729Q

Heavy Duty · Screw Terminals
Comes with Splashproof Cover



| Product | Description | Position | Amp | Volts | Fitting | Connection | SplashProof |
|-----------|---------------------|--------------|-----|-------|------------------|----------------|-------------|
| BLEP 723 | Push Button Switch | Momentary On | 16 | - | Ø21mm (Round) | Screw Terminal | ✓ |
| BLEP 725 | Push Button Switch | Momentary On | - | - | Ø19mm (Round) | Screw Terminal | ✓ |
| BLEP 736 | Brass Plated Switch | Momentary On | 20 | 12v | Ø19mm (Round) | Screw Terminal | - |
| BLEP 734 | Push Button Switch | Momentary On | 16 | 12v | 42 x 26mm (Slot) | 2 Pins | - |
| BLEP 729Q | Die Cast Switch | Momentary On | - | - | Ø16mm (Round) | Screw Terminal | ✓ |

*This item is Blister Packed and barcoded ready for resale. To purchase this item in bulk without packaging please use the same part number without the "BL" prefix

PUSH PULL SWITCH

BLEP 705*



ILLUMINATED PUSH PULL SWITCH

BLEP 708R*



SPRING LOADED SWITCH

BLEP 702*



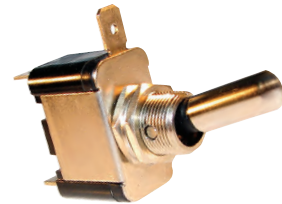
2 WAY SWITCH

BLEP 701*

BLEP 701C

Cover Available

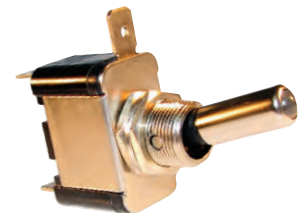
Handy Pack Available



2 WAY SWITCH

BLEP 706*

Handy Pack Available



| Product | Description | Amp | Fitting | LED | Functions | Splashproof |
|-----------|--------------------|-----|------------|-------|------------|-------------|
| BLEP 705 | Push / Pull Switch | 16 | 7.5mm Hole | - | On / Off | - |
| BLEP 708R | Push / Pull Switch | - | - | Red | On / Off | - |
| BLEP 702 | 2 Way Switch | 25 | 12.5mm | - | Biased Off | - |
| BLEP 701 | 2 Way Switch | 25 | 12.5mm | - | On / Off | - |
| BLEP 706 | 2 Way Switch | 25 | 12.5mm | Amber | On / Off | - |

*This item is Blister Packed and barcoded ready for resale. To purchase this item in bulk without packaging please use the same part number without the "BL" prefix

Electrical Switches

3 WAY SWITCH

BLEP 703Q*

BLEP 701C

Cover Available

Handy Pack Available



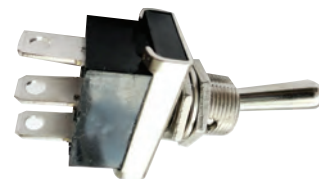
3 WAY SWITCH

BLEP 709Q*

BLEP 701C

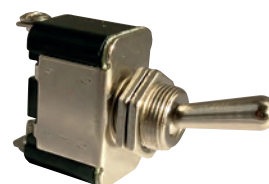
Cover Available

Handy Pack Available



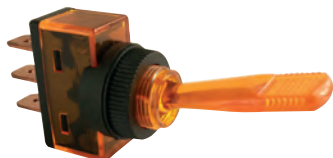
2 WAY FLICK TOGGLE SWITCH

BLEP 700



2 WAY FLICK SWITCH

BLEP 775A



2 WAY FLICK SWITCH

BLEP 775B



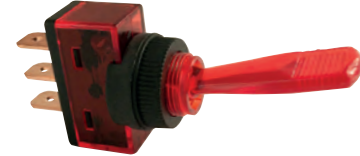
2 WAY FLICK SWITCH

BLEP 775G



2 WAY FLICK SWITCH

BLEP 775R



| Product | Description | Position | Amp | Volts | Bulb | Panel Fitting | Connection | Colour |
|-----------|-----------------------|---------------|-----|-------|------|-----------------|----------------|--------|
| BLEP 703Q | 3 Way Switch / Spring | Biased Off | 25 | 12v | - | 12.5mm | 3 Pins | - |
| BLEP 709Q | 3 Way Switch | On / Off / On | 25 | 12v | - | 12.5mm | 3 Pins | - |
| BLEP 700 | 2 Way Toggle Switch | On / Off | 20 | 12v | - | Ø12.5mm (Round) | Screw Terminal | - |
| BLEP 775A | 2 Way Flick Switch | On / Off | 20 | 12v | 12v | Ø12.5mm (Round) | 3 Pins | Amber |
| BLEP 775B | 2 Way Flick Switch | On / Off | 20 | 12v | 12v | Ø12.5mm (Round) | 3 Pins | Blue |
| BLEP 775G | 2 Way Flick Switch | On / Off | 20 | 12v | 12v | Ø12.5mm (Round) | 3 Pins | Green |
| BLEP 775R | 2 Way Flick Switch | On / Off | 20 | 12v | 12v | Ø12.5mm (Round) | 3 Pins | Red |

*This item is Blister Packed and barcoded ready for resale. To purchase this item in bulk without packaging please use the same part number without the "BL" prefix

ROCKER SWITCH

BLEP 752*



ROCKER SWITCH

BLEP 761*



MINI ROCKER SWITCH

BLEP 765*



LED MINI ROCKER SWITCHES

BLEP 766

BLEP 767

BLEP 768

BLEP 769

Handy Pack Available



| Product | Description | Position | Amp | Volts | Panel Fitting | Connection | Colour |
|----------|--------------------|----------|-----|-------|---------------|---------------|--------|
| BLEP 752 | Rocker Switch | On / Off | 16 | 12v | 12 x 30mm | 2 Male Pins | - |
| BLEP 761 | Rocker Switch | On / Off | 16 | 12v | 20 x 34.5mm | 2 Double Pins | - |
| BLEP 765 | Mini Rocker Switch | On / Off | 16 | 12v | 13 x 18.5mm | 4 Pins | - |
| BLEP 766 | Mini Rocker Switch | On / Off | 10 | 12v | 20mm | 3 Pins | Amber |
| BLEP 767 | Mini Rocker Switch | On / Off | 10 | 12v | 20mm | 3 Pins | Blue |
| BLEP 768 | Mini Rocker Switch | On / Off | 10 | 12v | 20mm | 3 Pins | Green |
| BLEP 769 | Mini Rocker Switch | On / Off | 10 | 12v | 20mm | 3 Pins | Red |

Electrical Switches

LED ROCKER SWITCHES*

BLEP 762*

BLEP 763*

BLEP 764*



ILLUMINATED ROCKER SWITCHES*

BLEP 753*

BLEP 754*

BLEP 755*

BLEP 756*



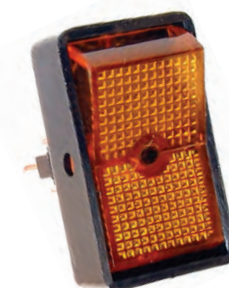
ILLUMINATED ROCKER SWITCHES*

BLEP 757*

BLEP 758*

BLEP 759*

BLEP 760*



| Product | Description | Position | Amp | Volts | Panel Fitting | Connection | Colour |
|----------|---------------------------|----------|-----|-------|---------------|---------------|--------|
| BLEP 762 | LED Rocker Switch | On / Off | 20 | 12v | 20 x 34.5mm | 2 Double Pins | Amber |
| BLEP 763 | LED Rocker Switch | On / Off | 20 | 12v | 20 x 34.5mm | 2 Double Pins | Green |
| BLEP 764 | LED Rocker Switch | On / Off | 20 | 12v | 20 x 34.5mm | 2 Double Pins | Red |
| BLEP 753 | Illuminated Rocker Switch | On / Off | 20 | 12v | 12 x 30mm | 3 Pins | Amber |
| BLEP 754 | Illuminated Rocker Switch | On / Off | 20 | 12v | 12 x 30mm | 3 Pins | Blue |
| BLEP 755 | Illuminated Rocker Switch | On / Off | 20 | 12v | 12 x 30mm | 3 Pins | Green |
| BLEP 756 | Illuminated Rocker Switch | On / Off | 20 | 12v | 12 x 30mm | 3 Pins | Red |
| BLEP 757 | Illuminated Rocker Switch | On / Off | 20 | 12v | 12.5mm | 3 Pins | Amber |
| BLEP 758 | Illuminated Rocker Switch | On / Off | 20 | 12v | 12.5mm | 3 Pins | Blue |
| BLEP 759 | Illuminated Rocker Switch | On / Off | 20 | 12v | 12.5mm | 3 Pins | Green |
| BLEP 760 | Illuminated Rocker Switch | On / Off | 20 | 12v | 12.5mm | 3 Pins | Red |

*This item is Blister Packed and barcoded ready for resale. To purchase this item in bulk without packaging please use the same part number without the "BL" prefix

ROCKER SWITCH

BLEP 774A



ROCKER SWITCH

BLEP 774B



ROCKER SWITCH

BLEP 774G



ROCKER SWITCH

BLEP 774R



MINI ROCKER SWITCH

BLEP 771



MINI ROCKER SWITCH

BLEP 772



| Product | Description | Position | Amp | Volts | Bulb | Panel Fitting | Connection | Colour |
|-----------|---------------------------|---------------|-----|-------|------|---------------|------------|--------|
| BLEP 774A | Illuminated Rocker Switch | On / Off | 10 | 12v | 12v | Ø20mm (Round) | 3 Pins | Amber |
| BLEP 774B | Illuminated Rocker Switch | On / Off | 10 | 12v | 12v | Ø20mm (Round) | 3 Pins | Blue |
| BLEP 774G | Illuminated Rocker Switch | On / Off | 10 | 12v | 12v | Ø20mm (Round) | 3 Pins | Green |
| BLEP 774R | Illuminated Rocker Switch | On / Off | 10 | 12v | 12v | Ø20mm (Round) | 3 Pins | Red |
| BLEP 771 | Mini Rocker Switch | On / On | 10 | 12v | - | Ø20mm (Round) | 3 Pins | - |
| BLEP 772 | Mini Rocker Switch | On / Off / On | 10 | 12v | - | Ø20mm (Round) | 3 Pins | - |

*This item is Blister Packed and barcoded ready for resale. To purchase this item in bulk without packaging please use the same part number without the "BL" prefix

Electrical Switches

ROCKER SWITCH

BLEP 776

4 Pin

Comes with assorted symbols / lenses



ROCKER SWITCH

BLEP 777

3 Pin

Comes with assorted symbols / lenses



| Product | Description | Position | Amp | Volts | Bulb | Panel Fitting | Connection | Colour |
|----------|---------------------------|----------|-----|-------|------|------------------|------------|----------|
| BLEP 776 | Illuminated Rocker Switch | On / Off | 20 | 12v | 12v | 24 x 34mm (Slot) | 4 Pins | Assorted |
| BLEP 777 | Illuminated Rocker Switch | On / Off | 20 | 12v | 12v | 24 x 34mm (Slot) | 3 Pins | Assorted |

WARNING LIGHTS

BLEP 795

BLEP 796*

BLEP 797

BLEP 798



Bulb Illuminated

WARNING LIGHTS

BLEP 804*



Handy Pack Available

| Product | Description | Position | Amp | Volts | Panel Fitting | Connection | Colour |
|-----------|---------------|----------|-----|-------|---------------|------------|--------|
| BLEP 795 | Warning Light | - | 1 | 12v | 12mm | 2 Pins | Amber |
| BLEP 796* | Warning Light | - | 1 | 12v | 12mm | 2 Pins | Red |
| BLEP 797 | Warning Light | - | 1 | 12v | 12mm | 2 Pins | Green |
| BLEP 798 | Warning Light | - | 1 | 12v | 12mm | 2 Pins | Blue |
| BLEP 804 | Warning Light | - | - | 12v | 12mm | Terminals | Red |

*This item is Blister Packed and barcoded ready for resale. To purchase this item in bulk without packaging please use the same part number without the "BL" prefix





IRELAND: 090 9673232

UK: 0121 6474857

INTL: ++353 90 9673232

sales@247lighting.net

www.247lighting.net

Unit 4,
Lakelands Enterprise Centre,
Ballydangan, Athlone,
Co. Roscommon,
N37 H5Y0, Ireland.

IRELAND: 090 9673232

UK: 0121 6474857

INTL: ++353 90 9673232

sales@247lighting.net

www.247lighting.net



Distributed by

GROUP247

www.group247.ie