



PRODUCT CATALOGUE
2020 - 2021



Unit 4,
Lakelands Enterprise Centre,
Ballydangan, Athlone,
Co. Roscommon,
N37 H5Y0, Ireland.

IRELAND: 090 9673232

UK: 0121 6474857

INTL: ++353 90 9673232

sales@247lighting.net

www.247lighting.net





Welcome to the 2020/2021 product catalogue

PP 247 Lighting is a European market leader of LED lighting manufacturing and distribution for the Agricultural Machinery, Construction Equipment, Commercial Vehicle, & Automotive Aftermarket.

Committed to always moving forward we adapt new trends, embrace the latest LED technology and place a strong focus on delivering a high quality, powerfully performing LED Lighting product range. Our trusted products are developed and manufactured to comply with ECE and EMC highest standards and have excellent ingress protection ratings. **PP**

Unit 4,
Lakelands Enterprise Centre,
Ballydangan, Athlone,
Co. Roscommon,
N37 H5Y0, Ireland.

IRELAND: 090 9673232

UK: 0121 6474857

INTL: ++353 90 9673232

sales@247lighting.net

www.247lighting.net





247 Lighting est un leader européen sur le marché de la distribution et de la fabrication d'éclairages LED destinés aux machines agricoles, équipements de construction, véhicules commerciaux et service après-vente automobile.

A la pointe de l'innovation, nous adaptons nos produits aux nouvelles tendances du marché, nous utilisons les dernières technologies LED et mettons l'accent sur la fourniture d'une gamme de produits d'éclairage LED extrêmement performants et qualitatifs. Nos éclairages dont la fiabilité est avérée sont développés et produits conformément aux principales normes ECE et EMC et ont un excellent indice de protection à l'étanchéité.



247 Lighting ist der europäische Marktführer für Produktion und Handel im Bereich der LED Beleuchtung für Agrar Maschinen, Baumaschinen, Kommunal-und Betriebsfahrzeugen & im Automotiv Aftermarket.

Wir sind bestrebt, uns ständig weiterzuentwickeln, wir passen uns den neuesten Trends an, wir setzen auf die neueste LED-Technologie und legen größten Wert darauf, eine qualitativ hochwertige und leistungsstarke LED-Produktpalette bereitzustellen. Unsere bewährten Produkte wurden entwickelt und hergestellt, um den höchsten ECE- und EMV-Standards zu genügen und haben hervorragende Wasserschutzzeigenschaften.



247 Lighting è un leader di mercato europeo nella distribuzione e produzione di illuminazione a LED per macchine agricole, macchine edili, veicoli commerciali e aftermarket automobilistico.

Impegnati ad andare sempre avanti, adattiamo le nuove tendenze, adottiamo la più recente tecnologia LED e ci concentriamo fortemente sulla fornitura di una gamma di prodotti di illuminazione a LED di alta qualità e preforme potenti. I nostri prodotti di fiducia sono sviluppati e fabbricati in conformità con i più alti standard ECE ed EMC e hanno eccellenti livelli di protezione in ingresso.



247 Lighting is een Europese marktleider op het gebied van distributie en productie van LED-verlichting voor de aftermarket voor landbouwmachines, bouwmachines, bedrijfsvoertuigen auto's.

Toegewijd om altijd vooruit te gaan, passen we nieuwe trends aan, omarmen de nieuwste LED-technologie en leggen een sterke focus op het leveren van een hoogwaardig, krachtig voorgevormd assortiment LED-verlichtingsproducten. Onze vertrouwde producten zijn ontwikkeld en gefabriceerd om te voldoen aan de hoogste ECE- en EMC-normen en hebben een uitstekende bescherming tegen het binnendringen van stof en vocht.



247 Lighting es un líder del mercado europeo de distribución y fabricación de iluminación LED para maquinaria agrícola, equipos de construcción, vehículos comerciales y posventa automotriz.

Comprometidos a avanzar siempre, adaptamos las nuevas tendencias, adoptamos la última tecnología LED y nos enfocamos en ofrecer una gama de productos de iluminación LED de alta calidad y poderosa formación. Nuestros productos de confianza se desarrollan y fabrican para cumplir con los estándares más altos de ECE y EMC y tienen excelentes clasificaciones de protección de ingreso.



247 Lighting jest liderem na europejskim rynku dystrybucji i produkcji oświetlenia LED dla maszyn rolniczych, sprzętu budowlanego, pojazdów użytkowych i motoryzacyjnych na rynku wtórnym.

Zależy nam na ciągłym rozwoju, dostosowujemy nowe trendy, wykorzystujemy najnowszą technologię LED i kładziemy duży nacisk na wysoką jakość bardzo wydajnych produktów LED. Nasze produkty są opracowywane i wytwarzane zgodnie z najwyższymi standardami ECE i EMC oraz doskonałymi wskaźnikami ochrony IP.

Definitions

Lens and Base / Housing Material

ABS: Acrylonitrile Butadiene Styrene is a common thermoplastic polymer. Its glass transition temperature is approximately 105°C (221°F).

ABS/AL: ABS and Aluminium used on Housing.

ABS/R: ABS and Rubber used on Housing.

ACR: Acrylic

ALUM: Aluminium

DCA: Die Cast Aluminium

EPDM: Ethylene Propylene Diene Monomer Rubber is a type of synthetic rubber that is used in many applications.

GRAP: Graphene is a single layer (monolayer) of carbon atoms, tightly bound in a hexagonal honeycomb lattice.

PC: Polycarbonates are a group of thermoplastic polymers containing carbonate groups in their chemical structures.

PMMA: Polymethyl Methacrylate, a transparent and rigid plastic, PMMA is often used as a substitute for glass in products such as shatterproof windows, skylights, illuminated signs, and aircraft canopies.

PP: Polypropylene, also known as polypropene, is a thermoplastic polymer used in a wide variety of applications.

PP/R: Polypropylene and Rubber used on Housing.

PVC: Polyvinyl Chloride is a solid plastic material made from vinyl chloride.

R: Rubber

TPR: Thermoplastic Rubber, is a material that has properties of both plastic and rubber.

ECE Regulations

The 247Lighting product range is fully UN ECE Regulation compliant. We hope this guide simplifies which regulations apply to various lamps while dispelling a few myths that can cause confusion and lead to the wrong product choice for a customer.

REG 3 This covers reflective devices generally as part of a combination tail lamp but also individually.

REG 4 All registration plate lamps must pass regulation 4.

REG 6 Directional Indicators both front & rear must meet REG 6. This includes all of our multi-functional Tail Lamps.

REG 7 This regulation covers quite a few functions: Stop Lamps, Front (White) Position Lamps, Rear (Red) Position

REG 10 Warning Devices (Beacons, Light bars, Directional Warning Lights). All road going vehicles required to fit a warning device must ensure that device meets ECE Reg. 10 (EMC or Electro Magnetic Compatibility) as a minimum.

REG 23 Reverse Lamps

REG 38 Fog Lamps

REG 65 REG 65 applies to Warning Devices. In Ireland & UK this regulation is necessary for vehicles involved in road side works or inspections. These vehicles should be equipped with either a roof mounted amber light bar, comprising of at least two independent light sources or two independent roof mounted amber beacons, visible through 360 degrees. In some European countries REG 65 is the standard necessary for all amber warning products.

REG 91 Side Marker (Amber) lamps must meet ECE Reg 91.

REG 112 Headlamps - Asymmetrical Passing/Driving Beam - Filament Lamps and/or LED Modules.

EMC (ElectroMagnetic Compatibility) testing exists to ensure that your electronic or electrical device doesn't emit a large amount of electromagnetic interference and that your device continues to function as intended in the presence of several electromagnetic phenomena.

CE marking is a certification mark that indicates conformity with health, safety, and environmental protection standards for products sold within the EEA. The CE marking is the manufacturer's declaration that the product meets EU standards for health, safety & environmental protection.

IP Rating

An IP rating or Ingress Protection rating is a system formed by the International Electrotechnical Commission (IEC) to define levels of sealing effectiveness of electrical enclosures against foreign bodies. To put this simply, an IP rating will indicate how waterproof and dustproof an electrical product is. The two digits in an IP rating will define how protected the product is. The first number refers to protection against solids such as dust and dirt, and the second number refers to liquids such as water.

IP		SOLIDS	LIQUIDS
1	Protection from objects greater than Ø50mm.	Protection from condensation.	1
2	Protection from objects greater than Ø12mm & no greater than Ø80mm.	Protection against water droplets.	2
3	Protection from entry by object Ø2.5mm or more.	Protection against water spraying water.	3
4	Protection against foreign bodies larger than 1mm.	Protection against water spray & splashes.	4
5	Limited ingress of dust.	Protection against low pressure water jets.	5
6	Completely Dust tight.	Protection against high pressure water jets.	6
EXAMPLE		Protection against temporary immersion in water.	7
IP 6 5		Protection against immersion in water over long periods.	8
→ 1st digit:	Completely Dust tight.	Protection against close range, powerful & high temperature water jets.	9k
→ 2nd digit:	Protection against low pressure water jets.		

Table of Contents

247 LIGHTING 08

Beacons & Lightbars

LED Beacons Explorer	08 - 11
LED Beacons Adventure	11 - 14
LED Beacons Trekker	15 - 17
LED Beacons Green	18 - 19
LED Mini Beacons	20 - 21
LED Halogen Beacons	22
Beacon Accessories	23
LED Lightbars	24 - 29

Warning Lights

LED Warning Lights	28 - 35
--------------------------	---------

Worklamps

LED Worklamps	38 - 54
---------------------	---------

Tail Lamps

LED Tail Lamps	58 - 89
----------------------	---------

Trailer Boards / Lights

Magnetic Trailer Lights (Bulb)	90 - 91
--------------------------------------	---------

Interior Lights

LED Interior Lights	93 - 102
---------------------------	----------

LED Inspection Lamps

LED Inspection Lamps	102 - 103
----------------------------	-----------

247 SAFETY 103

Reversing Aids

Reversing Camera Kits	104 - 107
Camera Kit Cameras	108
Camera Kit Monitors	109
Camera Kit Accessories	110
Warning Devices	111 - 113
Mirrors	114 - 117

247 ELECTRICAL 119

Electrical Components

Plugs & Sockets	121 - 124
Automotive / Starter Cable	125 - 126
Cable Ties / Insulation Tape	127
Conduit / Heat Shrink	128
Wiring Accessories	129 - 130
Fuses / Fuse Blades / Fuse Holders	131 - 133
Booster Cable	134
Battery Connectors	135 - 136
Electrical Switches (New)	137 - 146
Warning Lights	146

Merchandisers

CA 9972 / 247 Lighting Stand	151
CA 9920 / 247 Electrical Stand	152
CA 9940 / 247 Combi Stand	153
CA 9914 / 247 LED Merchandiser	154
CA 9916 / 247 Electrical Merchandiser	154
247 Display Stands Assorted	155
247 Handy Packs	156



✓ TRADE PACKAGING

This packaging is suitable for resale into trade customers that can accept larger pack quantities.

✓ BLISTER PACKAGING

Our blister packaging is for the larger electrical items within our range. They are all barcoded and ready for retail display. This packaging is often prefixed by the letters BL. These products are suitable for any of our retail stands.

✓ HANDY PACKS

The Handy Packs are for the smaller electrical items within our range. They are all barcoded and ready for retail display. These Products are suitable for our Handy Packs Stand.

✓ DISPLAY BOXES

Many items have their own individual counter display boxes. This maximises the counter display for the retailer, allowing the product to be easily accessible to the customer.

COUNTER DISPLAY BOXES PG 155

247 Lightings popular **EXPLORER** range is a premium selection of high standard products with powerful and effective levels of illumination. Using the latest in LED technology, outstanding performance and long term durability are assured with this range. The **EXPLORER** products are equipped with integrated plug-in connectors, tough durable die cast aluminium housing and enforced polycarbonate lens.



The **ADVENTURE** range are tried and tested stalwarts of the **247Lighting** stable of products. Renowned for their quality and reliability they provide exceptional performance with the latest lighting technology.



The **TREKKER** range is designed and developed to be the economical series. While reasonably priced they boast incredible benefits, optimal illumination and light weight housing.



Unique in design, this series has an aluminium reflector which makes them stand out from the crowd. With robust yet light-weight materials a performance that will satisfy all manner of requirements is assured.



Our classic Light bar range. Still a favourite with customers after all these years. This power-house of LED light that can be seen day or night with 360° visibility. This popular series of Light bars are made of the highest quality materials and are known for their outstanding performance in all climates



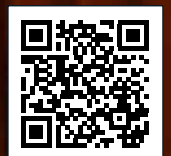
The latest addition to our light bar range. These powerful performers feature dynamically designed reflectors to compliment a high quality polycarbonate lens. Perfect for construction, 4x4's and towing vehicles.





Beacons Lightbars Warning Lights

Visit our website to view all Lighting Product information
www.247lighting.net

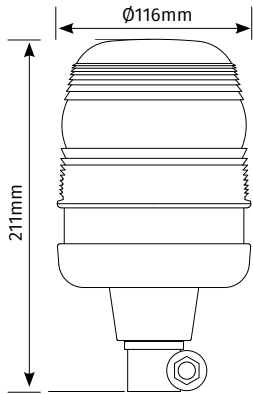


CA 7066

LED FLEXIBLE POLE MOUNT BEACON

STANDARD

- Flash Patterns
- Single, Double, Quad, Revolving
- 360° Light Di*tribution



VOLT 12-24	WATT 36	LED 12	IP 67	ECE R65
FLASH 4	LENS PC	BASE ABS/R	OPER TEMP -20°C to +55°C	

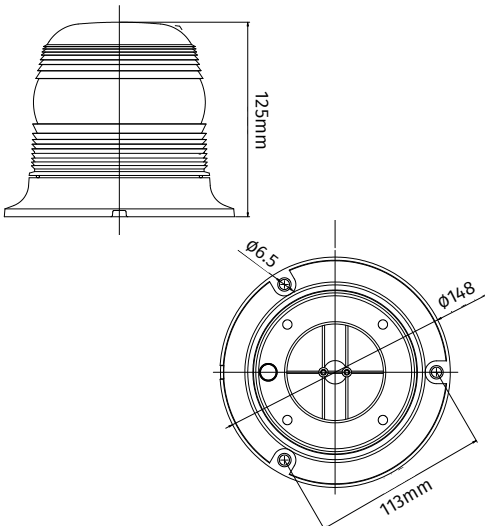


CA 7067

LED THREE BOLT MOUNT BEACON

STANDARD

- Flash Patterns
- Single, Double, Quad, Revolving
- 360° Light Di*tribution



VOLT 12-24	WATT 36	LED 12	IP 67	ECE R65
FLASH 4	LENS PC	BASE ALUM	OPER TEMP -20°C to +55°C	

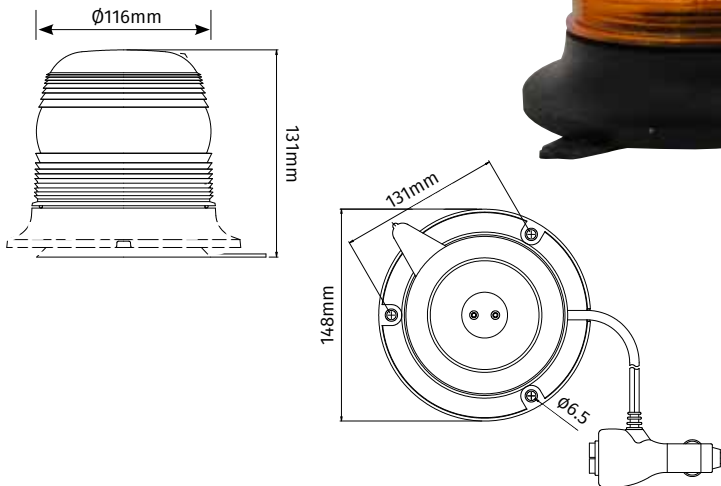


CA 7068

LED MAGNETIC MOUNT BEACON**

STANDARD

- Flash Patterns
- Single, Double, Quad, Revolving
- 360° Light Di*tribution
- 4m Cable with Cigarette Plug



VOLT 12-24	WATT 36	LED 12	IP 67	ECE R65
FLASH 4	LENS PC	BASE ALUM	OPER TEMP -20°C to +55°C	



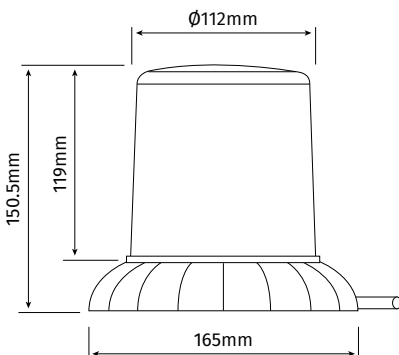
CA 7051

LED THREE BOLT BEACON

STANDARD

▶ SMD AMBER LED

- 5 Flash Patterns
- 360° Light Di*tribution
- SMD Technology
- Sealed Lens



VOLT 10-30	WATT 28	LED 32	IP 67	ECE R10/65
FLASH 5	LENS PC	BASE ABS	OPER TEMP -40°C to +65°C	



**Magnetic Beacon: Rated To 110-120 KPH / May detach at speeds above those indicated

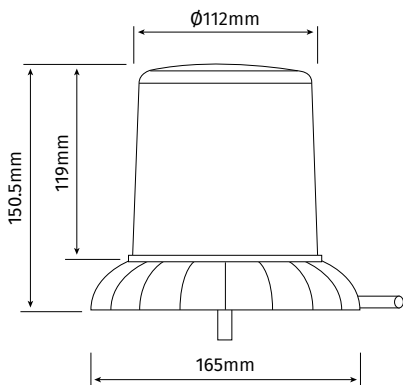
CA 7052

LED SINGLE BOLT BEACON

STANDARD

 SMD AMBER LED

- 5 Flash Patterns
- 360° Light Di*tribution
- SMD Technology



VOLT 10-30	WATT 28	LED 32	IP 67	ECE R10/65
FLASH 5	LENS PC	BASE ABS	OPER TEMP -40°C to +65°C	



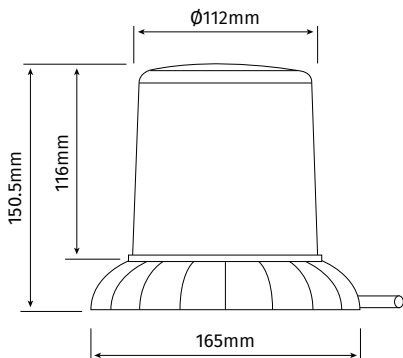
CA 7053

LED MAGNETIC BEACON**

STANDARD

 SMD AMBER LED

- 5 Flash Patterns
- 360° Light Di*tribution
- SMD Technology
- Sealed Lens
- 4m Cable with Cigarette Plug



VOLT 10-30	WATT 28	LED 32	IP 67	ECE R10/65
FLASH 5	LENS PC	BASE ABS	OPER TEMP -40°C to +65°C	



**Magnetic Beacon: Rated To 110-120 KPH / May detach at speeds above those indicated

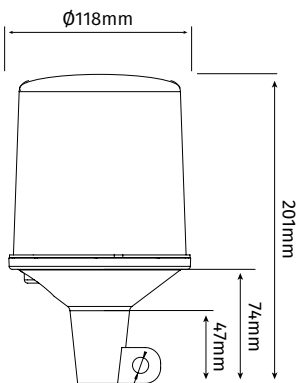
CA 7054

LED POLE BEACON

STANDARD

 SMD AMBER LED

- One Flash Pattern
- 360° Light Di*tribution
- SMD Technology
- Sealed Lens



VOLT 10-30	WATT 28	LED 32	IP 67	ECE R10/65
FLASH 1	LENS PC	BASE ABS	OPER TEMP -40°C to +65°C	

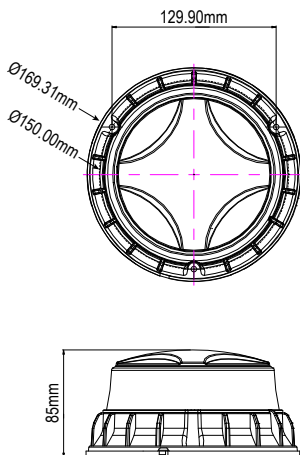


CA 7050

SIGMA REG 65 LED BEACON

(MAGNETIC)**

- Flash Patterns
- 360° Light Di*tribution
- SMD Technology
- 3m Cable with Cigarette Plug



VOLT 12-24	WATT 30	LED 30	IP 6K9K	ECE R10/65
FLASH 10	LENS PC	BASE AMA	OPER TEMP -40°C to +50°C	



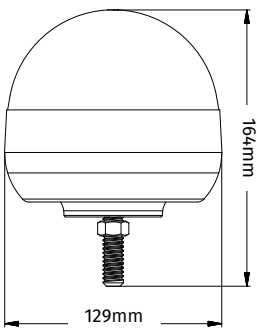
**Magnetic Beacon: Rated To 110-120 KPH / May detach at speeds above those indicated

CA 8082

R65 LED COMPACT BEACON (SINGLE BOLT)

COMPACT

- Flash Patterns
- 360° Revolving, Intermittant Flash
- 120 Flashes p/m
- High Powered LEDs



VOLT 12-24	WATT 24	LED 8	IP 56	ECE R10/65
FLASH 3	LENS PC	BASE ABS	OPER TEMP -30°C to +50°C	

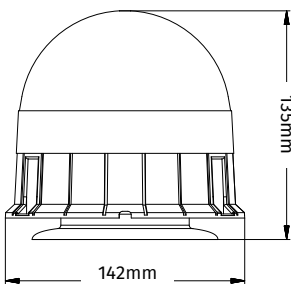


CA 8083

R65 LED COMPACT BEACON (MAGNETIC / 3 BOLT)**

COMPACT

- Flash Patterns
- 360° Revolving, Intermittant Flash
- 120 Flashes p/m
- High Powered LEDs
- 4m Cable with Cigarette Plug



VOLT 12-24	WATT 24	LED 8	IP 56	ECE R10/65
FLASH 3	LENS PC	BASE ABS/AL	OPER TEMP -30°C to +50°C	



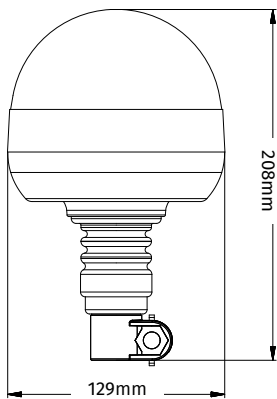
**Magnetic Beacon: Rated To 110-120 KPH / May detach at speeds above those indicated

CA 8084

R65 LED COMPACT BEACON (POLE MOUNT)

COMPACT

- Flash Patterns
- 360° Revolving, Intermittant Flash
- 120 Flashes p/m
- High Powered LEDs



VOLT 12-24	WATT 24	LED 8	IP 56	ECE R10/65
FLASH 3	LENS PC	BASE ABS/R	OPER TEMP -30°C to +50°C	



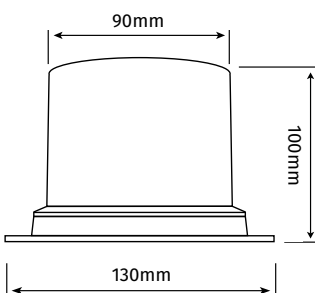
CA 7043

R65 LED MAGNETIC BEACON**

COMPACT

AMBER LED

- Flash Patterns
- 360° Light Distribution
- High Powered Amber LEDs
- Sealed Lens
- 3m Cable with Cigarette Plug



VOLT 10-30	WATT 18	LED 36	IP 67	ECE R10/65
FLASH 7	LENS PC	BASE ALUM	OPER TEMP -40°C to +50°C	



**Magnetic Beacon: Rated To 110-120 KPH / May detach at speeds above those indicated

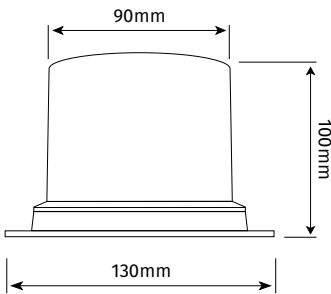
CA 7045

R65 LED 3 BOLT BEACON

COMPACT

AMBER LED

- Flash Patterns
- 360° Light Distribution
- High Powered Amber LEDs
- Sealed Lens



VOLT 10-30	WATT 18	LED 36	IP 67	ECE R10/65
FLASH 7	LENS PC	BASE ALUM	OPER TEMP -40°C to +50°C	

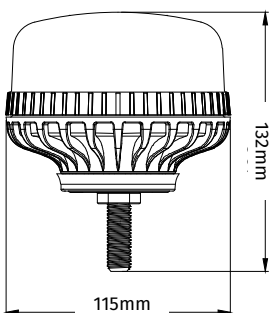


CA 8122

R65 LED COMPACT BEACON (SINGLE BOLT)

COMPACT

- Flash Patterns
- Single, Double, Quad
- Super Bright LEDs



VOLT 12-24	WATT 54	LED 36	IP 56	ECE R10/65
FLASH 3	LENS PC	BASE PP	OPER TEMP -30°C to +50°C	

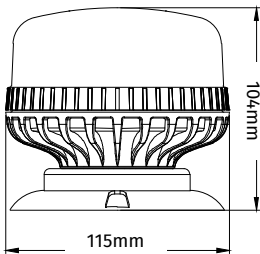


CA 8123

R65 LED COMPACT BEACON (MAGNETIC)**

COMPACT

- Flash Patterns
- Single, Double, Quad
- Super Bright LEDs
- 4m Cable with Cigarette Plug



VOLT 12-24	WATT 54	LED 36	IP 56	ECE R10/65
FLASH 3	LENS PC	BASE PP	OPER TEMP -30°C to +50°C	

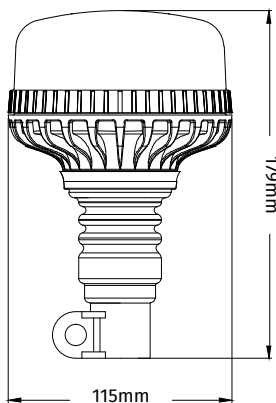


CA 8124

R65 LED COMPACT BEACON (POLE MOUNT)

COMPACT

- Flash Patterns
- Single, Double, Quad
- Super Bright LEDs



VOLT 12-24	WATT 54	LED 36	IP 56	ECE R10/65
FLASH 3	LENS PC	BASE PP/R	OPER TEMP -30°C to +50°C	



**Magnetic Beacon: Rated To 80 KPH / May detach at speeds above those indicated

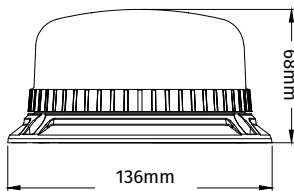
CA 8125

R65 LED COMPACT BEACON (3 BOLT MOUNT)

COMPACT

- Flash Patterns
- Single, Double, Quad
- Super Bright LEDs

VOLT 12-24	WATT 54	LED 36	IP 56	ECE R10/65
FLASH 3	LENS PC	BASE PP	OPER TEMP -30°C to +50°C	



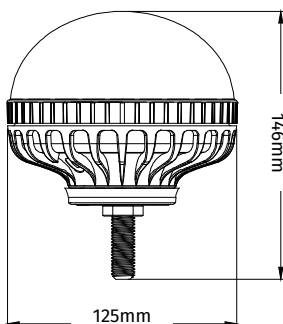
CA 8182

LED COMPACT BEACON (SINGLE BOLT)

COMPACT

- Flash Pattern
- 360° Revolving, Intermittant Flash
- Super Bright LEDs

VOLT 12-24	WATT 30	LED 60	IP 56	ECE R10
FLASH 3	LENS PC	BASE ABS	OPER TEMP -30°C to +50°C	

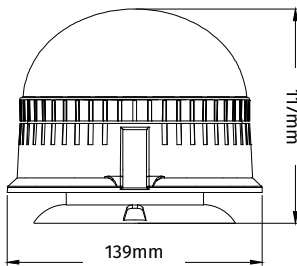


CA 8183

LED COMPACT BEACON (MAGNETIC / 3 BOLT)**

COMPACT

- Flash Patterns
- 360° Revolving, Intermittant Fla^{sh}
- Super Bright SMD LEDs
- 4m Cable with Cigarette Plug



VOLT 12-24	WATT 30	LED 60	IP 56	ECE R10
FLASH 3	LENS PC	BASE ABS/AL	OPER TEMP -30°C to +50°C	

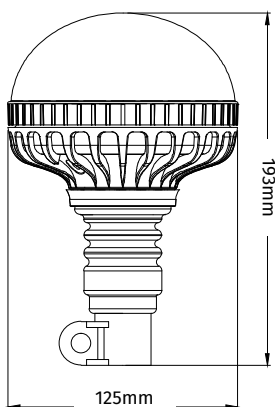


CA 8184

LED COMPACT BEACON (FLEXIBLE POLE MOUNT)

COMPACT

- Flash Patterns
- 360° Revolving, Intermittant Fla^{sh}
- Super Bright SMD LEDs



VOLT 12-24	WATT 30	LED 60	IP 56	ECE R10
FLASH 3	LENS PC	BASE ABS/R	OPER TEMP -30°C to +50°C	



**Magnetic Beacon: Rated To 80 KPH / May detach at speeds above those indicated

R10 LED Green Beacons

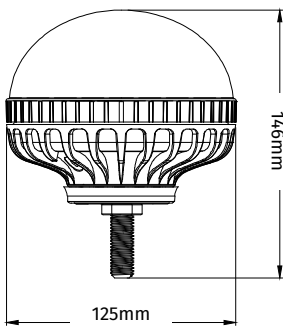
CA 8182G

LED COMPACT BEACON (SINGLE BOLT)

COMPACT

- Flash Patterns
- 360° Revolving, Intermittant Fla^{sh}
- Super Bright SMD LEDS

VOLT 12-24	WATT 30	LED 60	IP 56	ECE R10
FLASH 3	LENS PC	BASE ABS	OPER TEMP -30°C to +50°C	



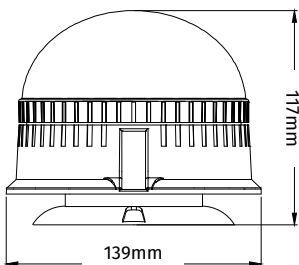
CA 8183G

LED COMPACT BEACON (MAGNETIC / 3 BOLT)**

COMPACT

- Flash Patterns
- 360° Revolving, Intermittant Fla^{sh}
- Super Bright SMD LEDS
- 4m Cable with Cigarette Plug

VOLT 12-24	WATT 30	LED 60	IP 56	ECE R10
FLASH 3	LENS PC	BASE ABS/AL	OPER TEMP -30°C to +50°C	



**Magnetic Beacon: Rated To 80 KPH / May detach at speeds above those indicated

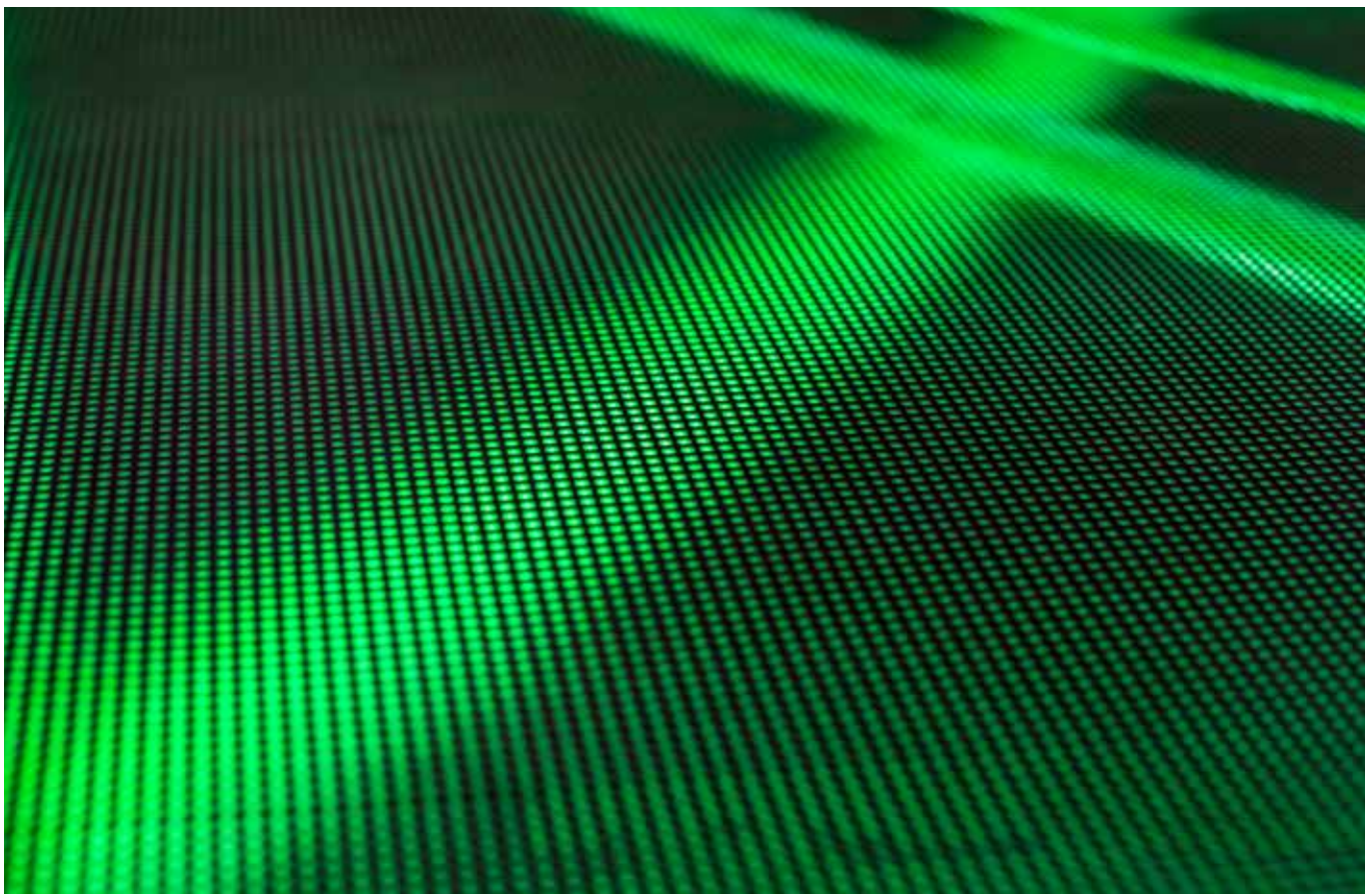
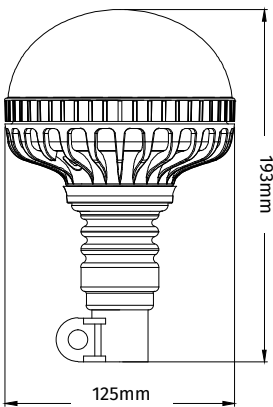
CA 8184G

LED COMPACT BEACON (FLEXIBLE POLE MOUNT)

COMPACT

- Flash Patterns
- 360° Revolving, Intermittant Flash
- Super Bright SMD LEDs

VOLT 12-24	WATT 30	LED 60	IP 56	ECE R10
FLASH 3	LENS PC	BASE ABS/R	OPER TEMP -30°C to +50°C	



R10 LED Mini Beacons

CA 7500LED

3 BOLT BEACON (LED)

MINI

VOLT 12-24	WATT 9	LED 40	IP 56	ECE R10
FLASH 3	LENS PC	BASE ABS	OPER TEMP -30°C to +50°C	

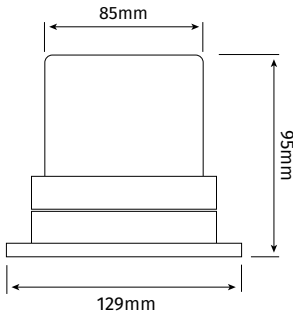
CA 7500

3 BOLT BEACON (XENON)

MINI

VOLT 12-110	WATT 2.4	LED -	IP 56	ECE R10
FLASH 1	LENS PC	BASE ABS	OPER TEMP -30°C to +50°C	

- Epoxy Resin Potted (CA 7500LED)
- Optional Green Lens **CA 7554GR**



CA 7500LED



CA 7500



CA 7505LED

2 BOLT BEACON (LED)

MINI

VOLT 12-24	WATT 5	LED 25	IP 56	ECE R10
FLASH 1	LENS PC	BASE ABS	OPER TEMP -30°C to +50°C	

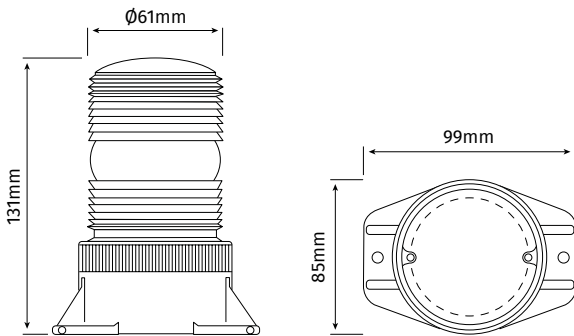
CA 7505

2 BOLT BEACON (XENON)

MINI

VOLT 12-110	WATT 2.4	LED -	IP 56	ECE R10
FLASH 1	LENS PC	BASE ABS	OPER TEMP -30°C to +50°C	

- Epoxy Resin Potted (CA 7505LED)
- Optional Green Lens **CA 7555GR**



CA 7505LED



CA 7505



CA 7501LED

MAGNETIC BEACON (LED)**

MINI

VOLT 12-24	WATT 9	LED 40	IP 56	ECE R10
FLASH 3	LENS PC	BASE ABS	OPER TEMP -30°C to +50°C	

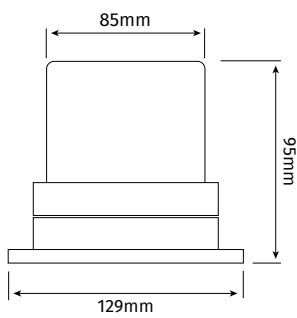
CA 7501

MAGNETIC BEACON (XENON)**

MINI

VOLT 12-24	WATT 2.4	LED -	IP 56	ECE R10
FLASH 1	LENS PC	BASE ABS	OPER TEMP -30°C to +50°C	

- Epoxy Resin Potted (CA 7501LED)
- Optional Green Lens [CA 7554GR](#)



CA 7501LED



CA 7501



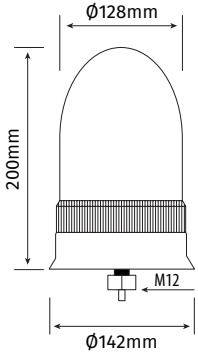
**Magnetic Beacon: Rated To 110-120 KPH / May detach at speeds above those indicated

R10 / R65 Rotating Beacons (Halogen)

CA 2040C

SINGLE BOLT ROTATING - HALOGEN

STANDARD



VOLT 12-24	WATT 55-70	BULB H1	IP 56	ECE R10/65
FLASH -	LENS PC	BASE ABS	OPER TEMP -30°C to +50°C	

Optional Green Lens

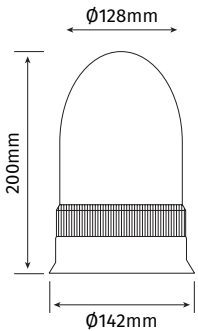
CA 7552GR



CA 2045C

MAGNETIC ROTATING - HALOGEN**

STANDARD



VOLT 12-24	WATT 55-70	BULB H1	IP 56	ECE R10/65
FLASH -	LENS PC	BASE ABS	OPER TEMP -30°C to +50°C	

Optional Green Lens

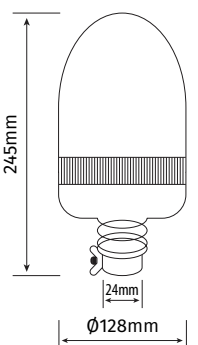
CA 7552GR



CA 2050C

POLE MOUNT ROTATING - HALOGEN

STANDARD



VOLT 12-24	WATT 55-70	BULB H1	IP 56	ECE R10/65
FLASH -	LENS PC	BASE ABS	OPER TEMP -30°C to +50°C	

Optional Green Lens

CA 7553GR



**Magnetic Beacon: Rated To 110-120 KPH / May detach at speeds above those indicated

ADAPTORS

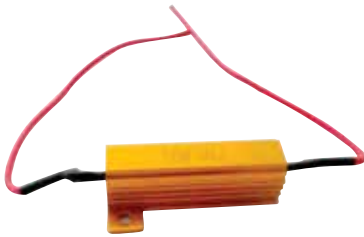
BEACON POLE MOUNT ADAPTORS



Product Code	Fixing	Profile	Type
1 CA 6600A	2 Bolt	'T' Type	Fixed
2 CA 6601A	1 Bolt	'L' Type	Collapsible

Product Code	Fixing	Profile	Type
3 CA 6602A	2 Bolt	'L' Type	Fixed
4 CA 6603A	Screw-In	'I' Type	Fixed w/Thread
5 CA 6604A	Spring Loaded	'L' Type	Fixed w/Thread

RESISTORS



Low Power Consumption Resistor

Product Code	Voltage	Watt	Size
CA 6061	12V	50W	20*50mm
CA 6062	24V	50W	28*50mm

Product Code	Voltage	ECE Reg	Watt	Size Material	Base	Operational Temperature
CA 7055	12V	10	15.96W	87*45*30mm	Alum. Alloy	68°C
CA 7056	24V	10	16.08W	87*45*30mm	Alum. Alloy	68°C

EXTRAS



Code	Description
1 CA 317	Cigar Plug / no Cable / no switch - Multi Flash Patterns
2 BLCA 319*	Cigarette Plug / no switch - Single Flash Patterns

Code	Description
3 EP 770	Illuminated Cigarette Plug & Socket (Fits: 28mm)
4 CA 313	Cigar Plug / 2.5mtr Cable / Pattern Switch / Power Switch Multiple Flash Patterns

*This item is Blister Packed & barcoded ready for resale. To purchase this item in bulk without packaging please use the same part no. without the "BL" prefix.

R10 / R65 LED Lightbar

CA 7626C

LED MINI MASTER - BOLT ON

STANDARD

VOLT 12-24	WATT 20	LED 20	IP 65	ECE R10
FLASH 10	LENS PC	BASE ABS	OPER TEMP -30°C to +70°C	

CA 7627C

LED MINI MASTER - MAGNETIC**

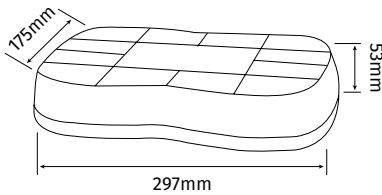
STANDARD

VOLT 12-24	WATT 20	LED 20	IP 65	ECE R10
FLASH 10	LENS PC	BASE ABS	OPER TEMP -30°C to +70°C	

• 2.5m Cable with Cigarette Plug

Replacement Cigarette

Lighter Plug **CA 317**



CA 7634

LED MINI MASTER - BOLT ON

REG 65

VOLT 12-24	WATT 36	LED 20	IP 65	ECE R10/65
FLASH 10	LENS PC	BASE ABS	OPER TEMP -30°C to +50°C	

CA 7635

LED MINI MASTER - MAGNETIC**

REG 65

VOLT 12-24	WATT 60	LED 20	IP 65	ECE R10/65
FLASH 10	LENS PC	BASE ABS	OPER TEMP -30°C to +50°C	

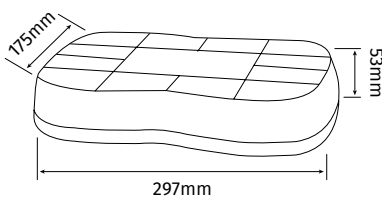
▶ AMBER SMD LED

• Reg 65 Lightbar - 360° Flash

• 2.5m Cable with Cigarette Plug

Replacement Cigarette

Lighter Plug **CA 317**



**Magnetic Beacon: Rated To 110-120 KPH / May detach at speeds above those indicated

CA 7097

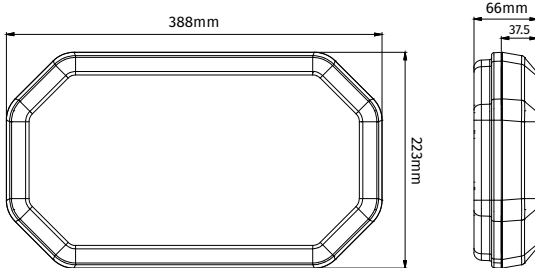
SIGMA REG 65 16" LED LIGHTBAR

AMBER SMD LED

- 4 Bolt Fixing Only (Moveable Bolts)
- Cigarette Lighter Plug with 2.5m Cable
- Transparent Lens

Magnetic Kit Available [CA 7097MAG](#)

Replacement Cigarette Lighter Plug [CA 313](#)



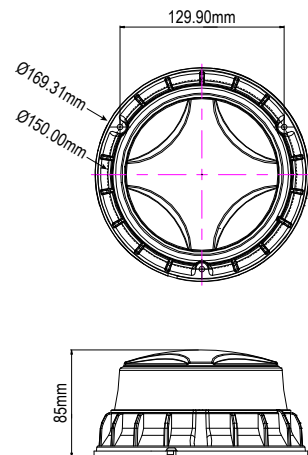
VOLT 10-30	WATT 40	LED 56	IP 69K	ECE R10/65
FLASH 10	LENS PC	BASE PC	OPER TEMP -30°C to +50°C	



CA 7050

SIGMA REG 65 LED BEACON (MAGNETIC)**

- Flash Patterns
- 360° Light Di*tribution
- SMD Technology
- 3m Cable with Cigarette Plug



VOLT 12-24	WATT 30	LED 30	IP 6K9K	ECE R10/65
FLASH 10	LENS PC	BASE AMA	OPER TEMP -40°C to +50°C	



**Magnetic Beacon: Rated To 110-120 KPH / May detach at speeds above those indicated

R65 LED Lightbar

CA 7652

LED APOLLO LIGHTBAR 38"

REG 65

VOLT 10-30	WATT 90	LED 90	IP 65	ECE R10/65
FLASH 19	LENS PC	BASE DCA	OPER TEMP -20°C to +65°C	

CA 7653

LED APOLLO LIGHTBAR 47"

REG 65

VOLT 10-30	WATT 108	LED 108	IP 65	ECE R10/65
FLASH 19	LENS PC	BASE DCA	OPER TEMP -20°C to +65°C	

CA 7654

LED APOLLO LIGHTBAR 55"

REG 65

VOLT 10-30	WATT 126	LED 126	IP 65	ECE R10/65
FLASH 19	LENS PC	BASE DCA	OPER TEMP -20°C to +65°C	

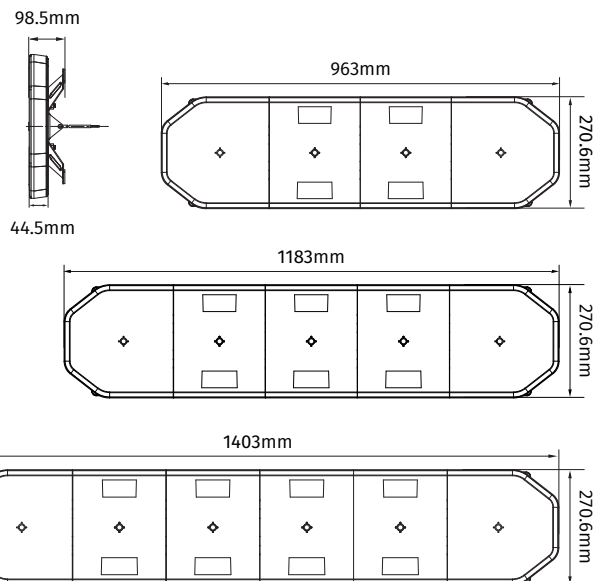
- Flash Patterns
- High Performance Amber LEDs
- Plastic Bracket Mount (Moveable)



- Dimensions: CA 7652: 963*270.6*98.5mm
- CA 7653: 1183*270.6*98.5mm
- CA 7654: 1403*270.6*98.5mm



Image: CA 7653 (47")



CA 7632B

16" LED ECLIPSE

REG 65

VOLT 12-24	WATT 39	LED 56	IP 67	ECE R10/65
FLASH 10	LENS PC	BASE DCA	OPER TEMP -40°C to +65°C	

CA 7630

27" LED ECLIPSE LIGHTBAR

REG 65

VOLT 12-24	WATT 79	LED 100	IP 67	ECE R10/65
FLASH 10	LENS PC	BASE DCA	OPER TEMP -40°C to +65°C	

CA 7628

46" LED ECLIPSE LIGHTBAR

REG 65

VOLT 12-24	WATT 127	LED 164	IP 67	ECE R10/65
FLASH 10	LENS PC	BASE DCA	OPER TEMP -40°C to +65°C	

- 4 Bolt Fixing Only
- Cigarette Lighter Plug with 2.5m Cable
- Clear Lens / Amber SMD LEDs
- Extra Standing Legs Available (set of 2) **CA 7629**
- Magnetic Adaptor Kit for CA 7632B **CA 7632MAG**
- Dimensions: **CA 7632B**: 388*220*65.7mm
CA 7630: 694*305*75mm
CA 7628: 1148.8*305*75mm

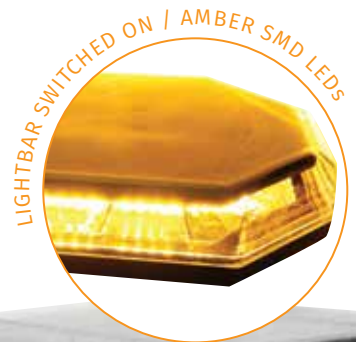
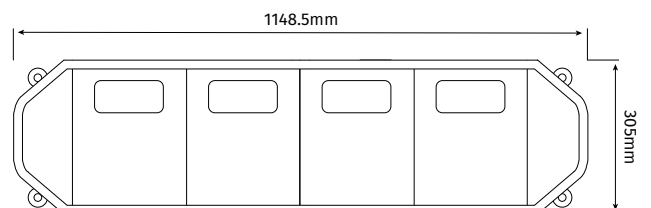
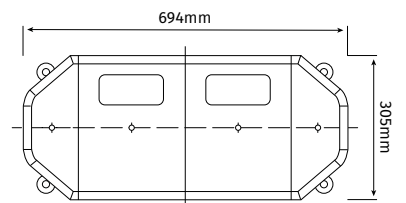
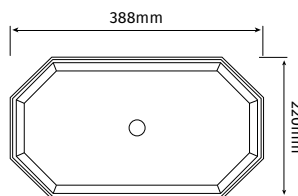


Image: CA 7628 (46")



CA 7632B



CA 7630



CA 7628



LED Warning Lights

CA 6082A

LED DIRECTIONAL WARNING LIGHT (REG 65)

AMBER LED

VOLT 10-30	WATT 11	LED 3	IP 67	ECE R10/65
FLASH 6	LENS PC	BASE DCA	OPER TEMP -45°C to +60°C	

CA 6082R

LED DIRECTIONAL WARNING LIGHT

RED LED

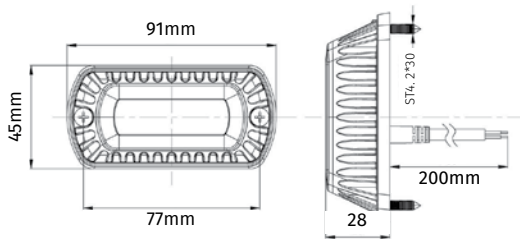
VOLT 10-30	WATT 11	LED 3	IP 67	ECE R10
FLASH 6	LENS PC	BASE DCA	OPER TEMP -45°C to +60°C	

CA 6082W

LED DIRECTIONAL WARNING LIGHT

WHITE LED

VOLT 10-30	WATT 11	LED 3	IP 67	ECE R10
FLASH 6	LENS PC	BASE DCA	OPER TEMP -45°C to +60°C	

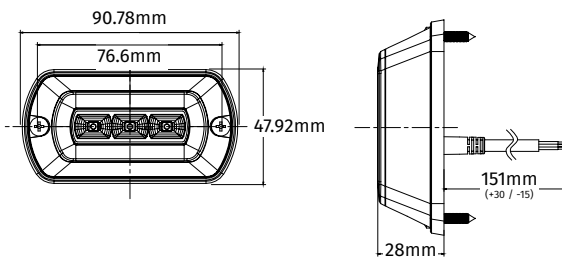


CA 6082

LED DIRECTIONAL WARNING LIGHT (REG 65)

AMBER LED

VOLT 10-30	WATT 9	LED 3	IP 6K9K	ECE R10/65
FLASH 10	LENS PC	BASE AMA	OPER TEMP -40°C to +50°C	



CA 6084

LED DIRECTIONAL WARNING LIGHT (REG 65)

AMBER LED

VOLT 10-30	WATT 18	LED 6	IP 67	ECE R10/65
FLASH 10	LENS PC	BASE DCA	OPER TEMP -40°C to +65°C	

CA 6084R

LED DIRECTIONAL WARNING LIGHT

RED LED

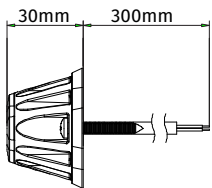
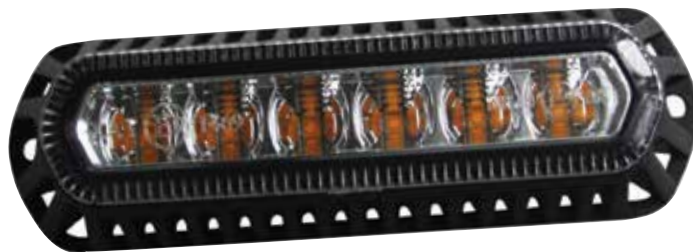
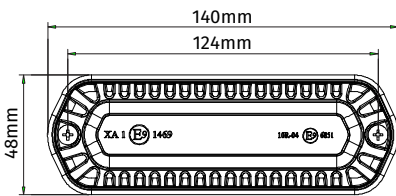
VOLT 10-30	WATT 18	LED 6	IP 67	ECE R10
FLASH 10	LENS PC	BASE DCA	OPER TEMP -40°C to +65°C	

CA 6084W

LED DIRECTIONAL WARNING LIGHT

WHITE LED

VOLT 10-30	WATT 18	LED 6	IP 67	ECE R10
FLASH 10	LENS PC	BASE DCA	OPER TEMP -40°C to +65°C	



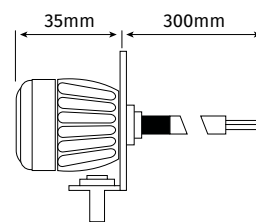
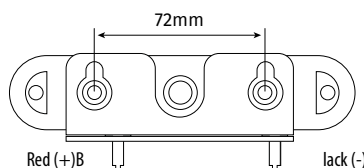
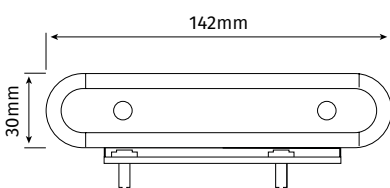
CA 6083

LED DIRECTIONAL LAMP (REG 65)

AMBER LED

• Bracket Mount (Removable)

VOLT 10-30	WATT 12	LED 6	IP 67	ECE R10/65
FLASH 9	LENS PC	LENS DCA	OPER TEMP -40°C to +65°C	



LED Warning Lights

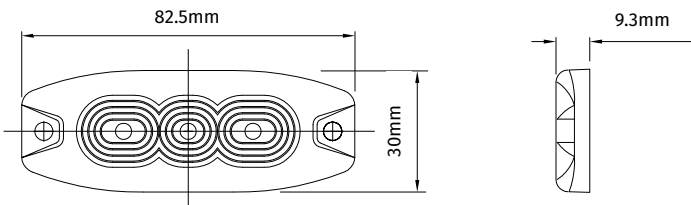
CA 7182A

LED DIRECTIONAL WARNING LIGHT (REG 65)

SMD AMBER LED

- SMD LED Technology
- Low Profile / Slimline
- Epoxy Resin Sealed
- Screw Mount
- Dimensions: 82.5*30*9.3mm

VOLT 12-24	WATT 9	LED 3	IP 67	ECE R10/65
FLASH 18	LENS PC	LENS ALUM	OPER TEMP -30°C to +50°C	



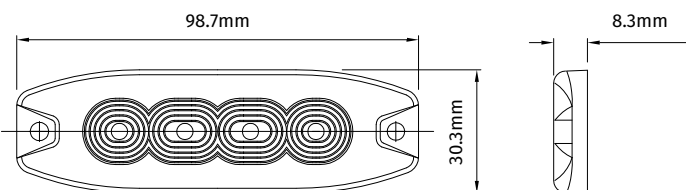
CA 7183A

LED DIRECTIONAL WARNING LIGHT (REG 65)

SMD AMBER LED

- SMD LED Technology
- Low Profile / Slimline
- Epoxy Resin Sealed
- Screw Mount
- Dimensions: 98.7*30.3*8.3mm

VOLT 12-24	WATT 12	LED 4	IP 67	ECE R10/65
FLASH 18	LENS PC	BASE ALUM	OPER TEMP -30°C to +50°C	



CA 7073

LED DIRECTIONAL WARNING LIGHT

AMBER LED

VOLT 10-30	WATT 3	LED 6	IP 67	ECE R10
FLASH 19	LENS PC	BASE ALUM	OPER TEMP -40°C to +60°C	

CA 7073R

LED DIRECTIONAL WARNING LIGHT

RED LED

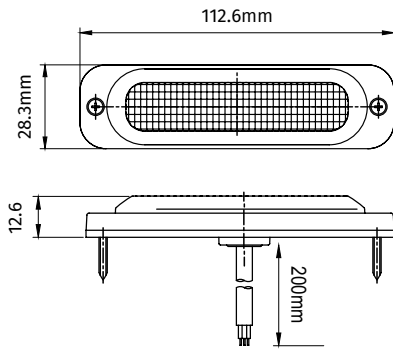
VOLT 10-30	WATT 3	LED 6	IP 67	ECE R10
FLASH 19	LENS PC	BASE ALUM	OPER TEMP -40°C to +60°C	

CA 7073W

LED DIRECTIONAL WARNING LIGHT

WHITE LED

VOLT 10-30	WATT 3	LED 6	IP 67	ECE R10
FLASH 19	LENS PC	BASE ALUM	OPER TEMP -40°C to +60°C	

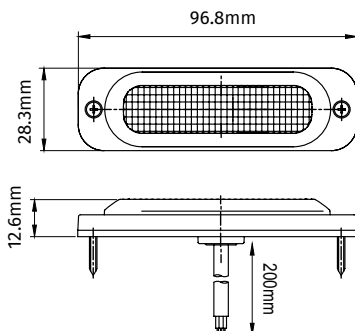


CA 7071

LED DIRECTIONAL WARNING LIGHT

AMBER LED

VOLT 10-30	WATT 2	LED 4	IP 67	ECE R10
FLASH 19	LENS PC	BASE ALUM	OPER TEMP -40°C to +60°C	



LED Warning Lights

CA 7084

LED DIRECTIONAL WARNING LIGHT - REG 65

AMBER LED

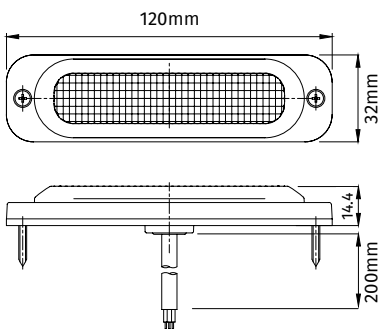
VOLT 10-30	WATT 18	LED 6	IP 67	ECE R10/65
FLASH 10	LENS PC	BASE ALUM	OPER TEMP -40°C to +60°C	

CA 7084R

LED DIRECTIONAL WARNING LIGHT - REG 65

RED LED

VOLT 10-30	WATT 18	LED 6	IP 67	ECE R10/65
FLASH 10	LENS PC	BASE ALUM	OPER TEMP -40°C to +60°C	

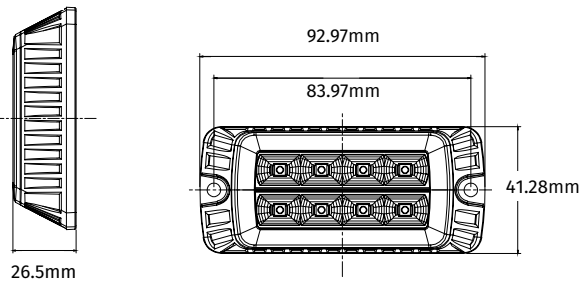


CA 7083A

LED DIRECTIONAL WARNING LIGHT (REG 65)

AMBER LED

VOLT 10-30	WATT 24	LED 8	IP 6K9K	ECE R10/65
FLASH 10	LENS PC	BASE AMA	OPER TEMP -35°C to +65°C	



CA 6079

LED DIRECTIONAL LAMP

AMBER LED

VOLT 10-30	WATT 12	LED 12	IP 67	ECE R10
FLASH 18	LENS PC	BASE ABS	OPER TEMP -40°C to +65°C	

CA 6079R

LED DIRECTIONAL LAMP

RED LED

VOLT 10-30	WATT 12	LED 12	IP 67	ECE R10
FLASH 18	LENS PC	BASE DCA	OPER TEMP -40°C to +65°C	

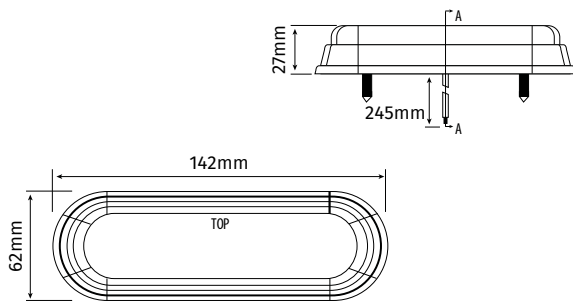
CA 6079W

LED DIRECTIONAL LAMP

WHITE LED

VOLT 10-30	WATT 12	LED 12	IP 67	ECE R10
FLASH 18	LENS PC	BASE DCA	OPER TEMP -40°C to +65°C	

- SMD LED Technology
- Surface Mount



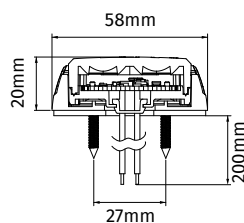
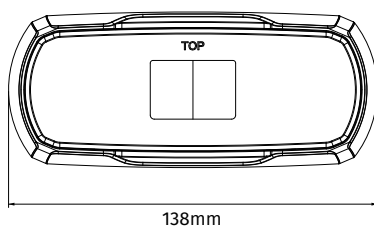
CA 7061A

LED DIRECTIONAL WARNING LAMP

SMD AMBER LED

VOLT 10-30	WATT 6	LED 12	IP 67	ECE R10
FLASH 10	LENS PC	LENS PC	OPER TEMP -40°C to +65°C	

- Ultrasonic Sealing
- SMD LED Technology
- Screw Mount
- EMC Approved



LED Warning Lights

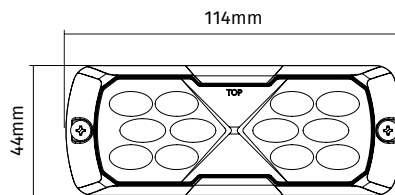
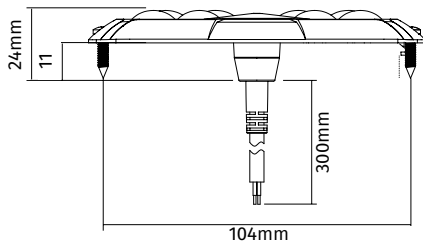
CA 7082A

LED DIRECTIONAL WARNING LAMP (REG 65)

 SMD AMBER LED

- SMD LED Technology
- Screw Mount
- EMC Approved

VOLT 12-24	WATT 5	LED 12	IP 67	ECE R10/65
FLASH 10	LENS PC	LENS DCA	OPER TEMP -40°C to +65°C	

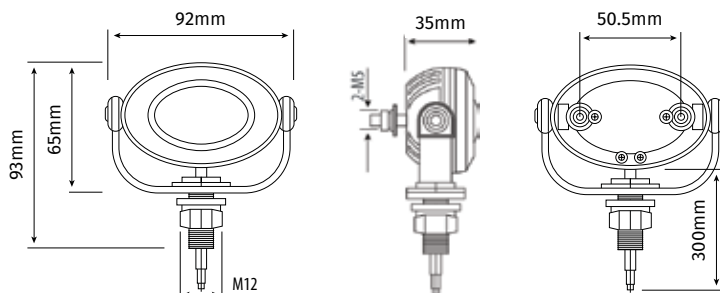


CA 5711

OVAL DIRECTIONAL LAMP (REG 65)

- SMD LED Technology
- Bracket Fixing
- Black Powder Coated

VOLT 12-24	WATT 9	LED 3	IP 67	ECE R10/65
FLASH 6	LENS PC	BASE DCA	OPER TEMP -40°C to +65°C	



CA 5713

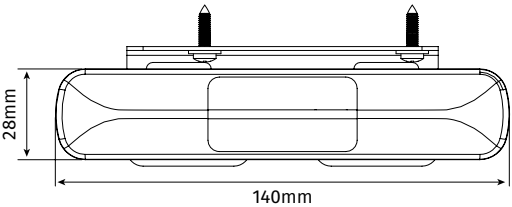
DAYTIME RUNNING LAMP

• Single Blister Pack

☐ WHITE LED

- SMD LED Technology
- Bracket Mount (Removable)

VOLT 10-30	WATT 4	LED 8	IP 67	ECE R87
FLASH -	LENS PC	BASE PC	OPER TEMP -40°C to +65°C	







Worklamps

Visit our website to view all Lighting Product information
www.247lighting.net

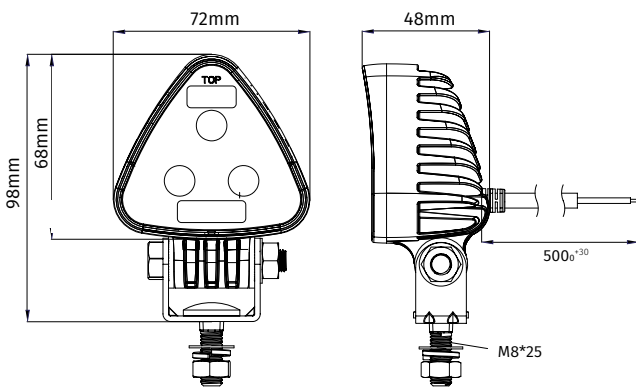


LED Mini Worklamps

CA 5730

2.8" MINI TRI WORKLAMP

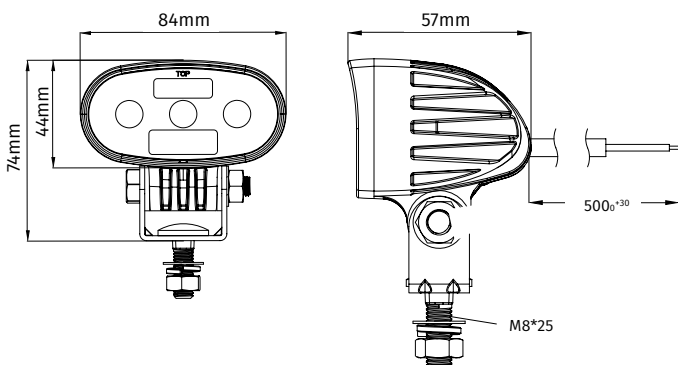
VOLT 10-30	WATT 9	LED 3	IP 67	ECE R10
LUMEN 750	LENS PC	BASE DCA	OPER TEMP -40°C to +60°C	



CA 5732

3.3" OVAL MINI WORKLAMP

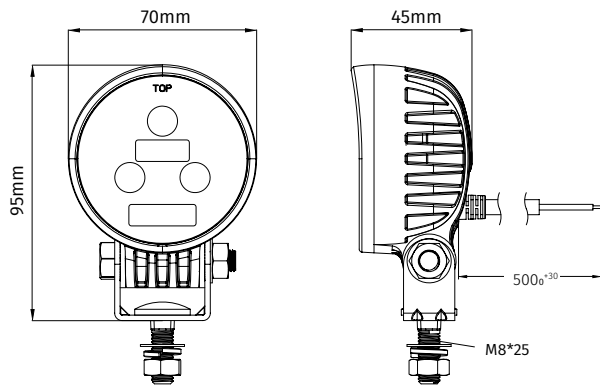
VOLT 10-30	WATT 9	LED 3	IP 67	ECE R10
LUMEN 750	LENS PC	BASE DCA	OPER TEMP -40°C to +60°C	



CA 5734

2.7" ROUND MINI WORKLAMP

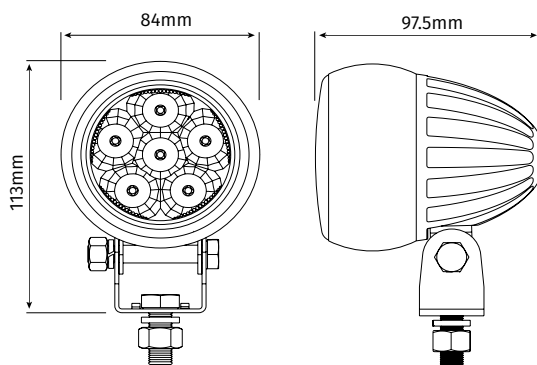
VOLT 10-30	WATT 9	LED 3	IP 67	ECE R10
LUMEN 750	LENS PC	BASE DCA	OPER TEMP -40°C to +60°C	



CA 5703

3" ROUND WORKLAMP

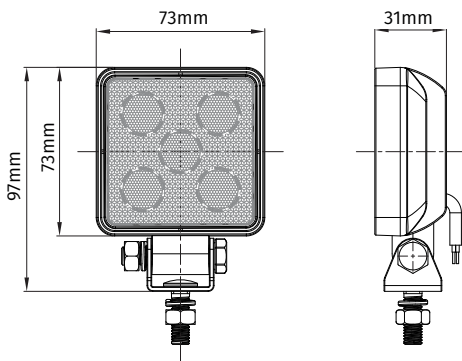
VOLT 12-24	WATT 18	LED 6	IP 67	ECE R10
LUMEN 1350	LENS PC	BASE ALUM	OPER TEMP -30°C to +65°C	



CA 5733

3" LED MINI SQUARE WORKLAMP

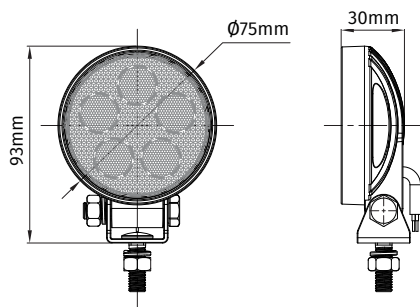
VOLT 10-30	WATT 7.5	LED 5	IP 69K	ECE R10
LUMEN 950	LENS PC	BASE DCA	OPER TEMP -40°C to +60°C	



CA 5735

3" LED MINI ROUND WORKLAMP

VOLT 10-30	WATT 7.5	LED 5	IP 69K	ECE R10
LUMEN 950	LENS PC	BASE DCA	OPER TEMP -40°C to +50°C	

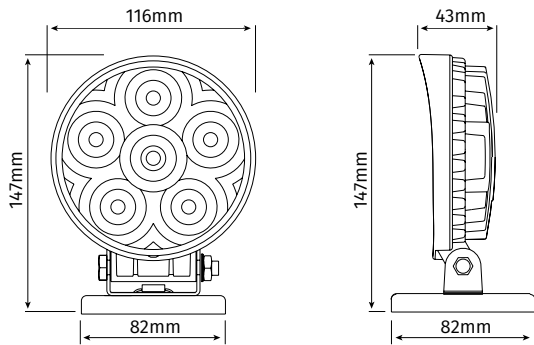


CA 5707

4" MAGNETIC WORKLAMP

· 9m Cable with Cigarette Plug

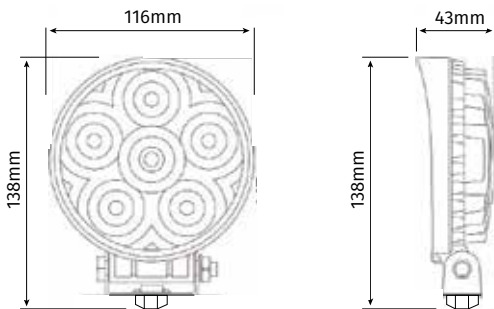
VOLT 12-28	WATT 18	LED 6	IP 67	ECE R10
LUMEN 1350	LENS ACR	BASE ALUM	OPER TEMP -40°C to +50°C	



CA 5706

4" ROUND WORKLAMP

VOLT 12-24	WATT 18	LED 6	IP 67	ECE R10
LUMEN 1350	LENS ACR	BASE ALUM	OPER TEMP -40°C to +50°C	

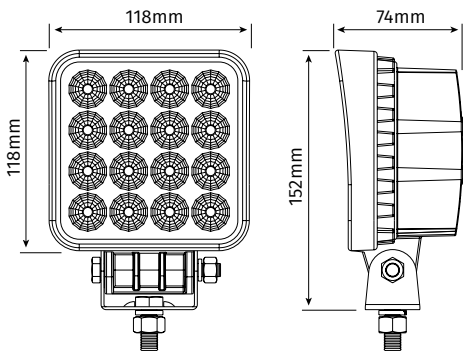


4" LED Worklamps

CA 5714

4" HIGH POWER WORKLAMP

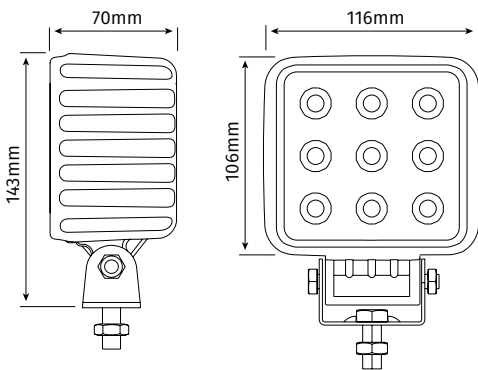
VOLT 12-28	WATT 48	LED 16	IP 67	ECE R10
LUMEN 3200	LENS PC	BASE ALUM	OPER TEMP -40°C to +40°C	



CA 5709

4" SQUARE WORKLAMP

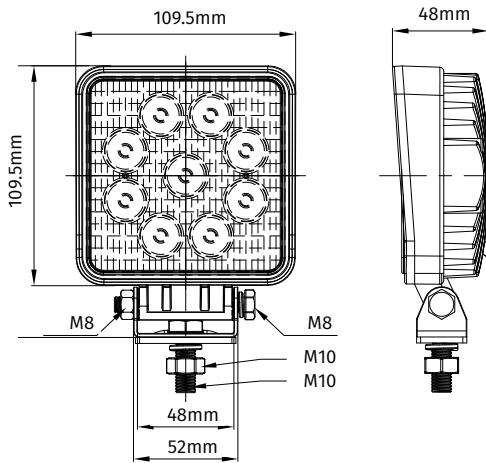
VOLT 12-24	WATT 27	LED 9	IP 67	ECE R10
LUMEN 2025	LENS PC	BASE ALUM	OPER TEMP -40°C to +50°C	



CA 5740

4" SQUARE WORKLAMP - 27W

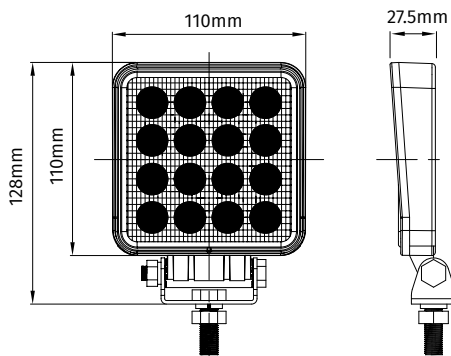
VOLT 9-32	WATT 27	LED 9	IP 67	ECE R10
LUMEN 2430	LENS PMMA	BASE ALUM	OPER TEMP -40°C to +50°C	



CA 5731

4" SQUARE REVERSE LAMP - 16W

VOLT 10-30	WATT 16	LED 16	IP 66	ECE R10/23
LUMEN 500	LENS PC	BASE ABS/GR	OPER TEMP -40°C to +50°C	

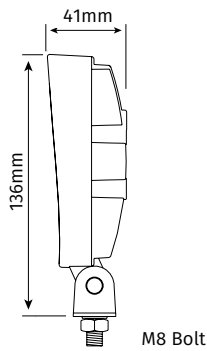
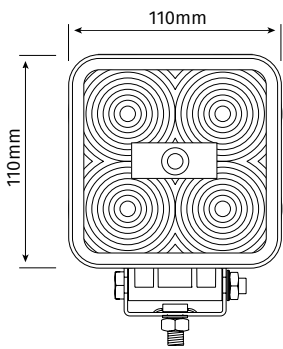


4" LED Worklamps

CA 5702

4" SQUARE WORKLAMP

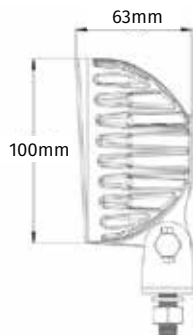
VOLT 12-24	WATT 15	LED 5	IP 67	ECE R10
LUMEN 1050	LENS PC	BASE ALUM	OPER TEMP -40°C to +50°C	



CA 5770

4" SQUARE WORKLAMP

VOLT 12-28	WATT 15	LED 9	IP 67	EMC ✓
LUMEN 1200	LENS ACR	BASE ALUM	OPER TEMP -40°C to +50°C	



CA 5745

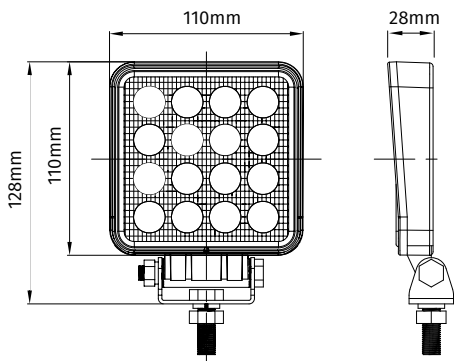
4" SQUARE WORKLAMP - 48W

VOLT 10-30	WATT 48	LED 16	IP 6K9K	ECE R10
LUMEN 2016	LENS PC	BASE GRAP	OPER TEMP -40°C to +50°C	

CA 5741

4" SQUARE WORKLAMP - 32W

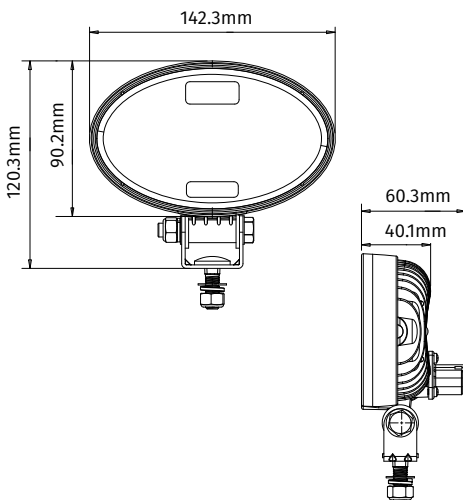
VOLT 10-30	WATT 32	LED 16	IP 66	ECE R10
LUMEN 1920	LENS PC	BASE GRAP	OPER TEMP -40°C to +50°C	



CA 5743

6" OVAL WORKLAMP - 24W

VOLT 12-24	WATT 24	LED 8	IP 6K9K	ECE R10
LUMEN 1440	LENS PC	BASE ABS	OPER TEMP -40°C to +50°C	

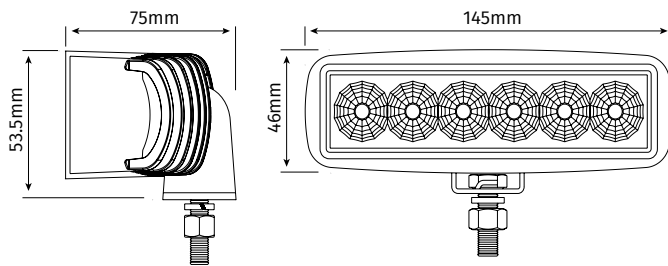


5" / 6" LED Worklamps

CA 5708

5" RECTANGULAR WORKLAMP

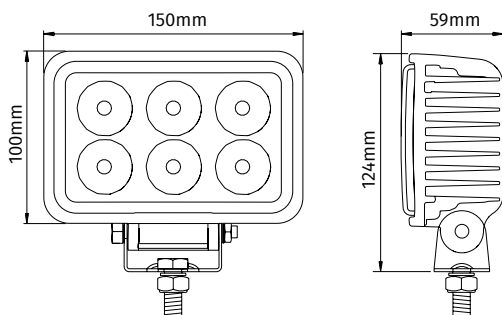
VOLT 12-28	WATT 18	LED 6	IP 67	ECE R10
LUMEN 1350	LENS PC	BASE ALUM	OPER TEMP -40°C to +50°C	



CA 5705

6" RECTANGULAR WORKLAMP

VOLT 12-24	WATT 18	LED 6	IP 67	ECE R10
LUMEN 1350	LENS PC	BASE ALUM	OPER TEMP -40°C to +50°C	

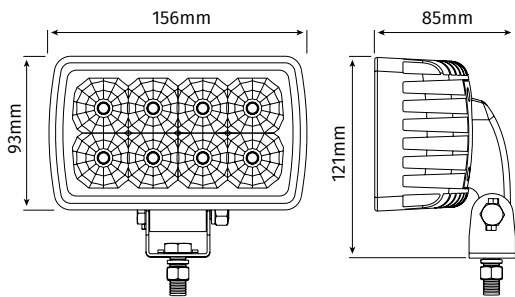


CA 5716

6" ADJUSTABLE WORKLAMP

- Standard & Side Mount Options
- Swivel Function

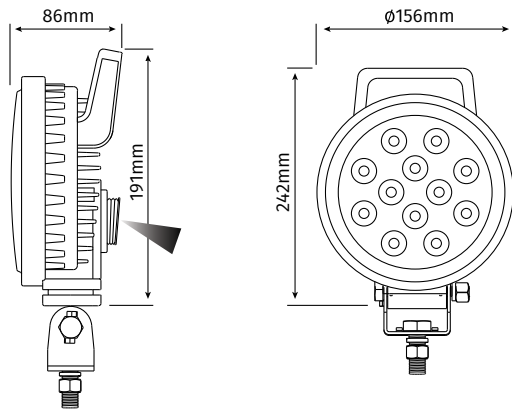
VOLT 12-28	WATT 24	LED 8	IP 67	ECE R10
LUMEN 1800	LENS PC	BASE ALUM	OPER TEMP -40°C to +50°C	



CA 5712

6" WORKLAMP WITH SWITCH

VOLT 12-28	WATT 12	LED 12	IP 67	EMC ✓
LUMEN 1350	LENS PC	BASE ALUM	OPER TEMP -40°C to +50°C	

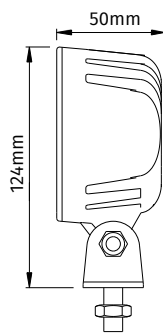
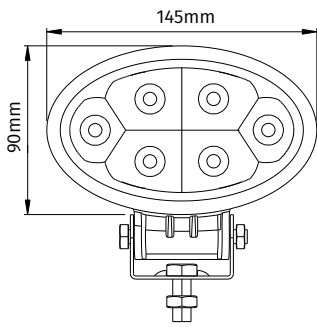


6" LED Worklamps

CA 5704

6" OVAL WORKLAMP

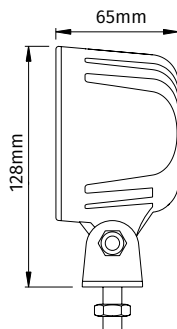
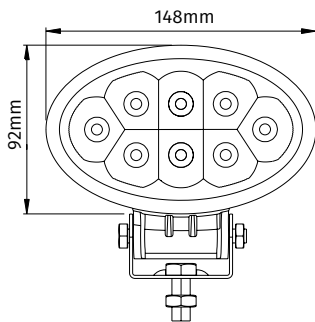
VOLT 12-24	WATT 18	LED 6	IP 67	ECE R10
LUMEN 1350	LENS PC	BASE ALUM	OPER TEMP -40°C to +50°C	



CA 5722

6" OVAL WORKLAMP

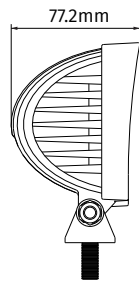
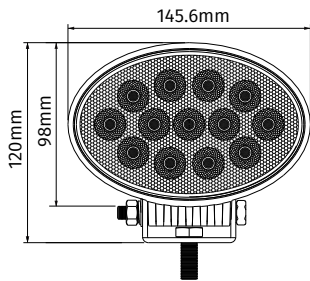
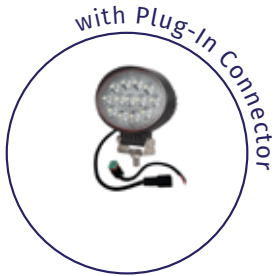
VOLT 12-28	WATT 24	LED 8	IP 67	EMC ✓
LUMEN 1800	LENS PC	BASE ALUM	OPER TEMP -40°C to +50°C	



CA 5751

6" OVAL WORKLAMP - 39W

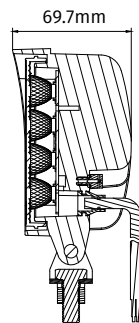
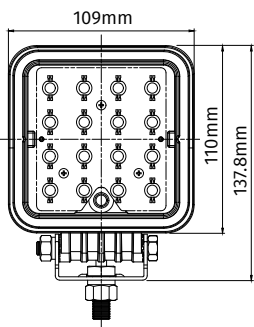
VOLT 10-30	WATT 39	LED 13	IP 67	ECE R10
LUMEN 3100	LENS PC	BASE ALUM	OPER TEMP -40°C to +60°C	



CA 5752

4" SQUARE WORKLAMP - 48W

VOLT 10-30	WATT 48	LED 16	IP 67	ECE R10
LUMEN 4150	LENS PC	BASE ALUM	OPER TEMP -40°C to +60°C	

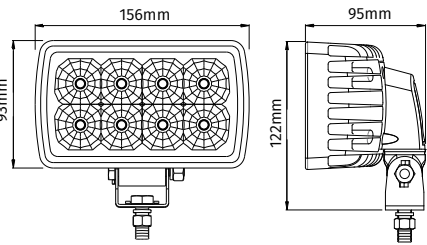
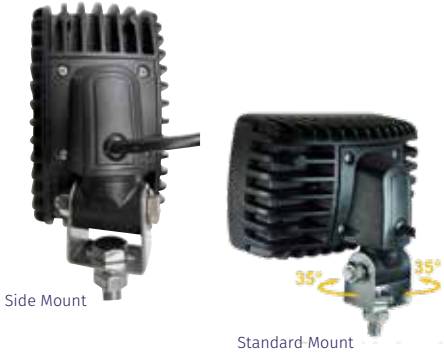


EXPLORER LED Worklamps

CA 5746

6" ADJUSTABLE WORKLAMP - 40W

VOLT 12-28	WATT 40	LED 8	IP 67	ECE R10
LUMEN 3400	LENS PC	BASE ALUM	OPER TEMP -40°C to +50°C	

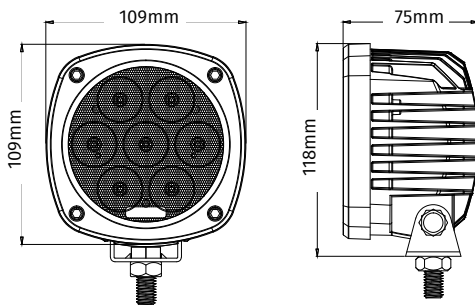


CA 6161

4.3" EXPLORER WORKLAMP - 35W

CREE TECHNOLOGY

- Super Bright CREE LEDs
- High Intensity Light
- Flood Beam: 168m Distance
- Plug-In Connector
- EMC (CISPR 25 CLASS 4)



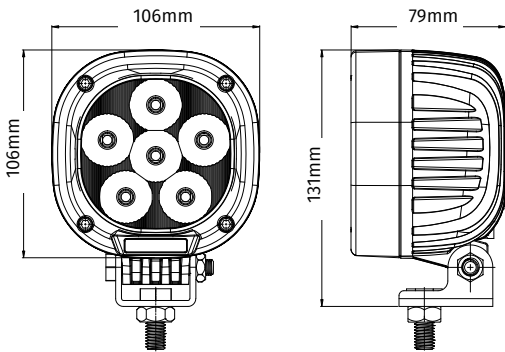
VOLT 9-32	WATT 35	LED 7	IP 68	ECE R10
LUMEN 3500	LENS PC	BASE DCA	OPER TEMP -40°C to +60°C	



CA 6171

4.3" EXPLORER WORKLAMP - 90W

- Super Bright Luminus LEDs
- High Intensity Light
- Flood Beam: 315m Distance
- Plug-In Connector
- EMC (CISPR 25 CLASS 4)



VOLT 9-32	WATT 90	LED 6	IP 68	ECE R10
LUMEN 9000	LENS PC	BASE DCA	OPER TEMP -40°C to +60°C	

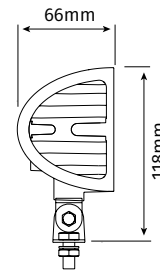
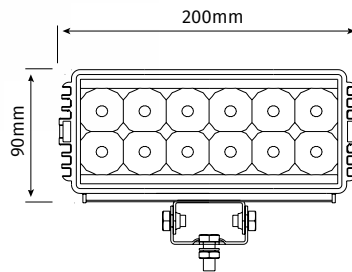


ADVENTURE LED Worklamp Bars

CA 6114

ADVENTURE WORKLAMP BAR - 8"

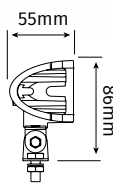
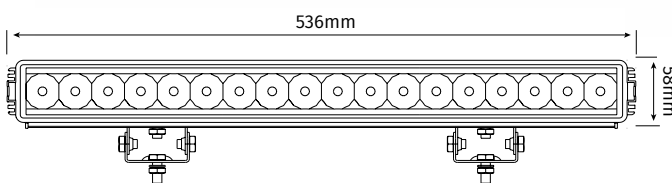
VOLT 12-24	WATT 36	LED 12	IP 67	ECE R10
LUMEN 2700	LENS PC	BASE ALUM	OPER TEMP -20°C to +40°C	



CA 6123

ADVENTURE WORKLAMP BAR - 21"

VOLT 12-28	WATT 54	LED 18	IP 67	ECE R10
LUMEN 4050	LENS PC	BASE ALUM	OPER TEMP -20°C to +40°C	



CA 6115

ADVENTURE WORKLAMP BAR - 17.5"

VOLT 12-28	WATT 72	LED 24	IP 67	ECE 10
LUMEN 5400	LENS PC	BASE ALUM	OPER TEMP -20C to +40°C	

CA 6117

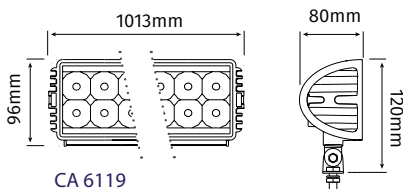
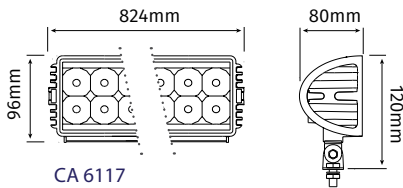
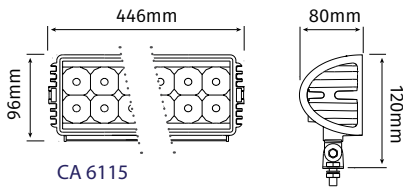
ADVENTURE WORKLAMP BAR - 32.5"

VOLT 12-28	WATT 108	LED 48	IP 67	ECE 10
LUMEN 10800	LENS PC	BASE ALUM	OPER TEMP -20C to +40°C	

CA 6119

ADVENTURE WORKLAMP BAR - 40"

VOLT 12-28	WATT 144	LED 60	IP 67	ECE 10
LUMEN 13500	LENS PC	BASE ALUM	OPER TEMP -20C to +40°C	



CA 6115: 446*80*120mm / CA 6117: 824*80*120mm / CA 6119: 1013*80*120mm

ADVENTURE LED Worklamp Bars

CA 6126

ADVENTURE CURVED WORKLAMP BAR - 17"

VOLT 12-28	WATT 144	LED 24	IP 67	ECE R10
LUMEN 5400	LENS PC	BASE ALUM	OPER TEMP -40°C to +50°C	

CA 6127

ADVENTURE CURVED WORKLAMP BAR - 25"

VOLT 12-28	WATT 108	LED 36	IP 67	ECE R10
LUMEN 8100	LENS PC	BASE ALUM	OPER TEMP -40°C to +50°C	

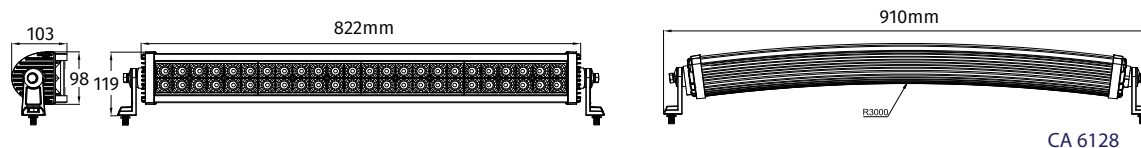
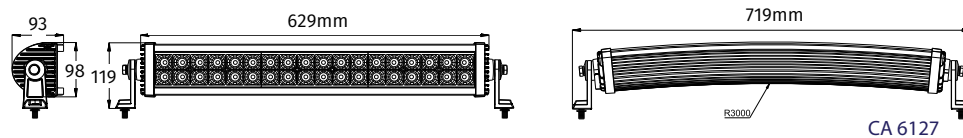
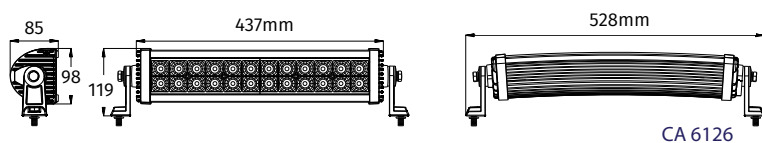
CA 6128

ADVENTURE CURVED WORKLAMP BAR - 32"

VOLT 12-28	WATT 144	LED 48	IP 67	ECE R10
LUMEN 10800	LENS PC	BASE ALUM	OPER TEMP -40°C to +50°C	

Long Range Beam · Epistar High Performance LEDs

Shock Resistant 20G · 45° Viewing Angle



CA 6126: 528*85*119mm / CA 6127: 719*93*119mm / CA 6128: 910*103*119mm

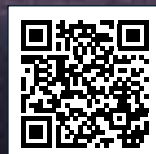






Tail Lamps Marker Lamps Stalk Lamps

Visit our website to view all Lighting Product information
www.247lighting.net

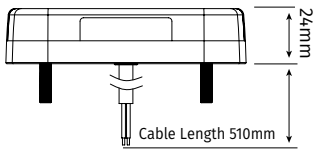
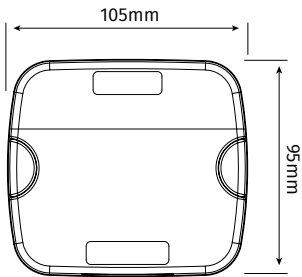


LED Tail Lamps

CA 7093

4" MULTIFUNCTIONAL TAIL LAMP

- Bolt / Screw Mount
- Cable Length: 510mm



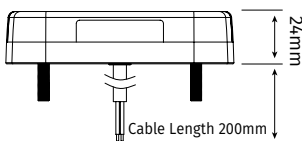
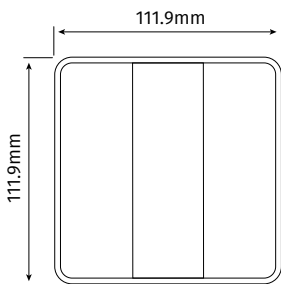
VOLT 12-24	LED 20	IP 67	ECE REG 3 / 4 / 6 / 7
WATT 8.5	LENS PMMA	BASE ABS	OPER TEMP -40°C to +65°C
STOP ✓	TAIL ✓	D.I. ✓	REV. -
FOG -	REF. ✓	N.P. ✓	



CA 7058

4.5" MULTIFUNCTIONAL TAIL LAMP

- Bolt Mount
- Cable Length: 200mm



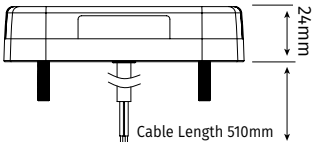
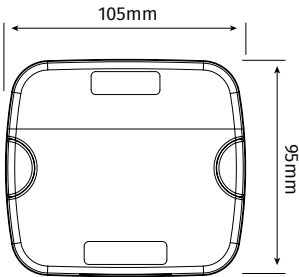
VOLT 12	LED 8	IP 65	ECE REG 3 / 6 / 7
WATT -	LENS ACR	BASE ABS	OPER TEMP -40°C to +65°C
STOP ✓	TAIL ✓	D.I. ✓	REV. -
FOG -	REF. ✓	N.P. -	



CA 7094

4" FRONT POSITION / INDICATOR LAMP

- Bolt / Screw Mount
- Cable Length: 510mm



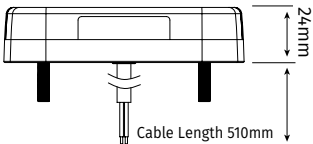
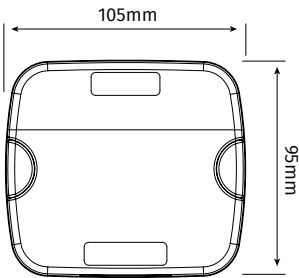
VOLT 12-24	LED 16	IP 67	ECE REG 3 / 6 / 7 / 10
WATT 3.7	LENS PMMA	BASE ABS	OPER TEMP -40°C to +65°C
STOP -	TAIL -	D.I. ✓	REV. -
	FOG -	REF. ✓	N.P. -



CA 7095

4" FOG / REVERSE LAMP

- Bolt / Screw Mount
- Cable Length: 510mm



VOLT 12-24	LED 20	IP 67	ECE REG 3 / 10 / 23 / 38
WATT 5.5	LENS PMMA	BASE ABS	OPER TEMP -40°C to +65°C
STOP -	TAIL -	D.I. -	REV. ✓
	FOG ✓	REF. ✓	N.P. -



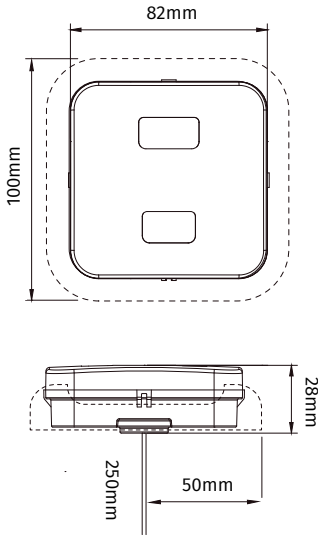
CA 7106

4" MULTIFUNCTIONAL TAIL LAMP

- Bracket Fixing
- Cable Length: 250mm

VOLT 10-30	LED 28	IP 67	ECE REG 6 / 7 / 10
WATT 6.5	LENS PMMA	BASE ABS	OPER TEMP -40°C to +65°C

STOP ✓	TAIL ✓	D.I. ✓	REV. -	FOG -	REF. -	N.P. -
-----------	-----------	-----------	-----------	----------	-----------	-----------



CA 7106 with frame



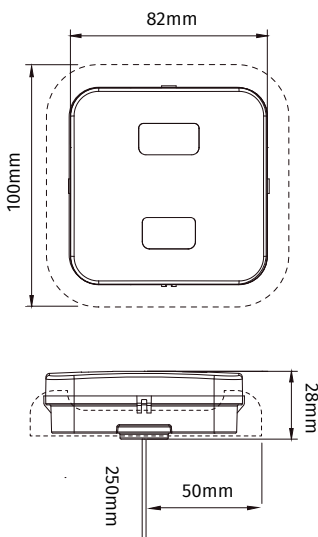
CA 7107

4" INDICATOR & TAIL LAMP

- Bracket Fixing
- Cable Length: 250mm

VOLT 10-30	LED 24	IP 67	ECE REG 6 / 7 / 10
WATT 4.2	LENS PMMA	BASE ABS	OPER TEMP -40°C to +65°C

STOP -	TAIL ✓	D.I. ✓	REV. -	FOG -	REF. -	N.P. -
-----------	-----------	-----------	-----------	----------	-----------	-----------

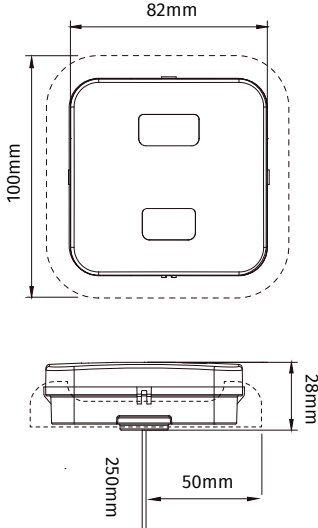


CA 7107 with frame



CA 7108
4" REVERSE & TAIL LAMP

- Bracket Fixing
- Cable Length: 250mm



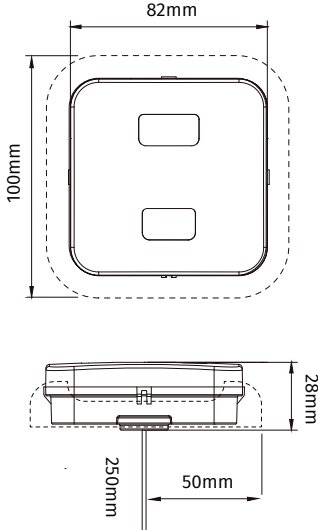
CA 7108 with frame

VOLT 10-30	LED 24	IP 67	ECE REG 7 / 10/23
WATT 5.3	LENS PMMA	BASE ABS	OPER TEMP -40°C to +65°C
STOP -	TAIL ✓	D.I. -	REV. ✓
FOG -	REF. -	N.P. -	



CA 7109
4" STOP & TAIL LAMP

- Bracket Fixing
- Cable Length: 250mm



CA 7109 with frame

VOLT 10-30	LED 24	IP 67	ECE REG 7 / 10
WATT 5.1	LENS PMMA	BASE ABS	OPER TEMP -40°C to +65°C
STOP ✓	TAIL ✓	D.I. -	REV. -
FOG -	REF. -	N.P. -	

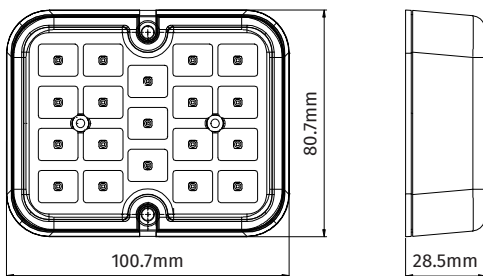


CA 7103

FOG LAMP

- Bolt Mounting
- Cable Length: 180mm

VOLT 12-24	LED 19	IP 67	ECE REG 38
WATT 2.7	LENS PMMA	BASE ABS	OPER TEMP -45°C to +70C

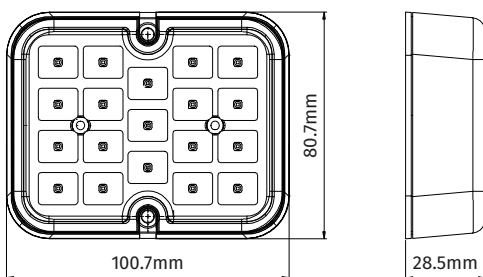


CA 7102

REVERSE LAMP

- Bolt Mounting
- Cable Length: 180mm

VOLT 12-24	LED 19	IP 67	ECE REG 23
WATT 3.0	LENS PMMA	BASE ABS	OPER TEMP -45°C to +70C



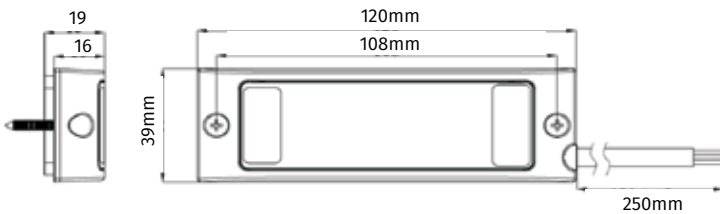
CA 7092

MULTIFUNCTIONAL TAIL LAMP

- Bolt Mounting
- Cable Length: 250mm

VOLT 10-30	LED 18	IP 67	ECE REG 6 / 7 / 10
WATT 9.0	LENS PMMA	BASE ABS	OPER TEMP -40°C to +65°C

STOP ✓	TAIL ✓	D.I. ✓	REV. -	FOG -	REF. -	N.P. -
-----------	-----------	-----------	-----------	----------	-----------	-----------



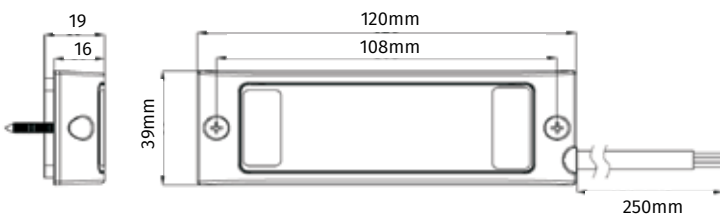
CA 7096

FOG / REVERSE LAMP

- Black Plastic Bezel
- Bolt Mounting
- Cable Length: 250mm

VOLT 10-30	LED 13	IP 67	ECE REG 10 / 23 / 38
WATT 6.5	LENS PC	BASE PC	OPER TEMP -40°C to +65°C

STOP -	TAIL -	D.I. -	REV. ✓	FOG ✓	REF. -	N.P. -
-----------	-----------	-----------	-----------	----------	-----------	-----------

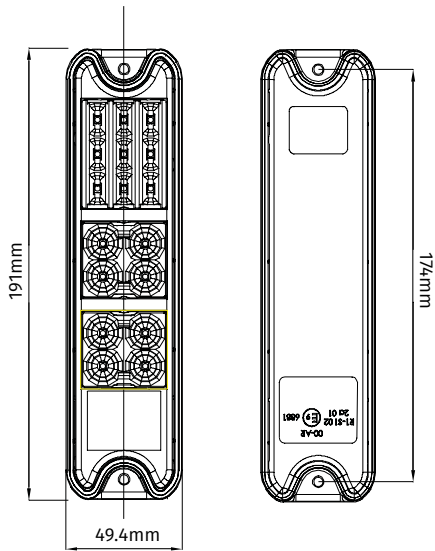


LED Tail Lamps (Multifunction)

CA 7070

MULTIFUNCTIONAL TAIL LAMP

- Bolt Mounting
- Cable Length: 300mm



VOLT 10-30	LED 21	IP 67	ECE REG 3 / 7 / 23			
WATT 5.5	LENS PMMA	BASE ABS	OPER TEMP -40°C to +65C			
STOP ✓	TAIL ✓	D.I. ✓	REV. ✓	FOG -	REF. -	N.P. -

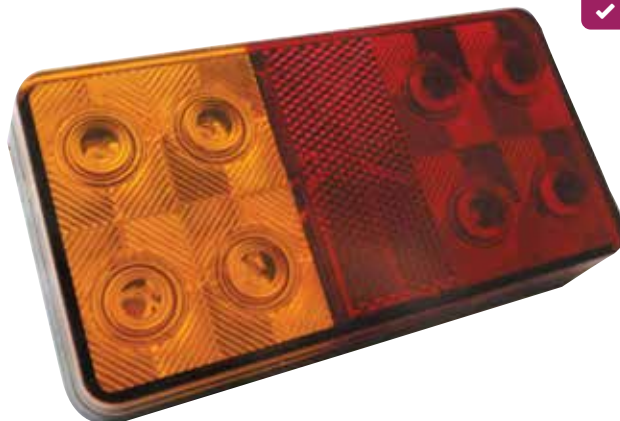
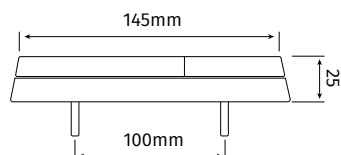
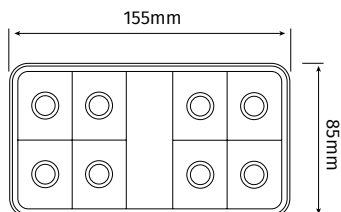


CA 7060

MULTIFUNCTIONAL TAIL LAMP (TWIN PACK)

- Bolt Mounting
- Cable Length: 200mm

VOLT 12	LED 8	IP 66	ECE REG 3 / 6 / 7
WATT 6.0	LENS ACR	BASE ABS	OPER TEMP -40°C to +65°C
STOP ✓	TAIL ✓	D.I. ✓	REV. -
		FOG -	REF. -
			N.P. -

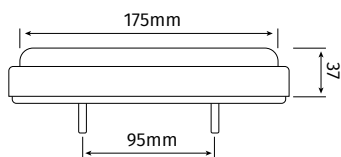
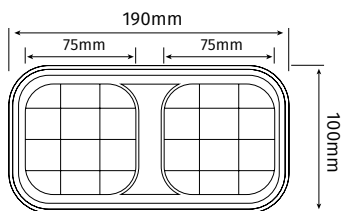


CA 7069

MULTIFUNCTIONAL TAIL LAMP

- Bolt Mounting
- Cable Length: 500mm

VOLT 12-24	LED 24	IP 67	ECE REG 3 / 6 / 7
WATT 6.1	LENS PC	BASE ABS	OPER TEMP -40°C to +65°C
STOP ✓	TAIL ✓	D.I. ✓	REV. -
		FOG -	REF. -
			N.P. -

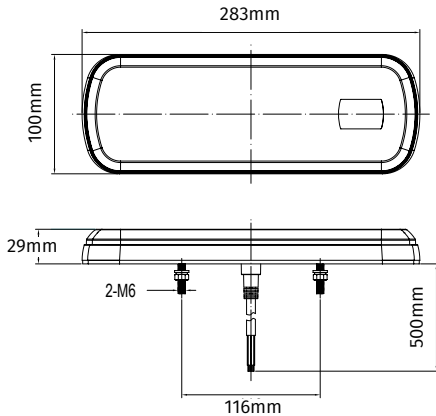


LED Tail Lamps (Multifunction)

CA 7048

MULTIFUNCTIONAL TAIL LAMP

- With Dynamic Indicator
- Bolt Mounting
- Cable Length: 500mm



VOLT 10-30	LED 64	IP 67	ECE REG 3 / 6 / 7 10 / 23 / 38
WATT 13	LENS PC	BASE PC	OPER TEMP -40°C to +65°C
STOP ✓	TAIL ✓	D.I. ✓	REV. ✓
FOG ✓	REF. ✓	N.P. -	

CA 7046

MULTIFUNCTIONAL TAIL LAMP (LEFT)

VOLT 10-30	LED 38	IP 67	ECE REG 3 / 6 / 7 10 / 23 / 38
WATT 11	LENS PMMA	BASE ABS	OPER TEMP -40°C to +65°C

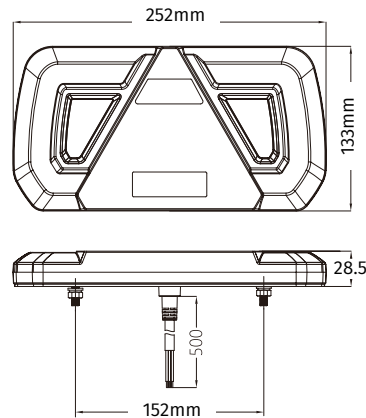
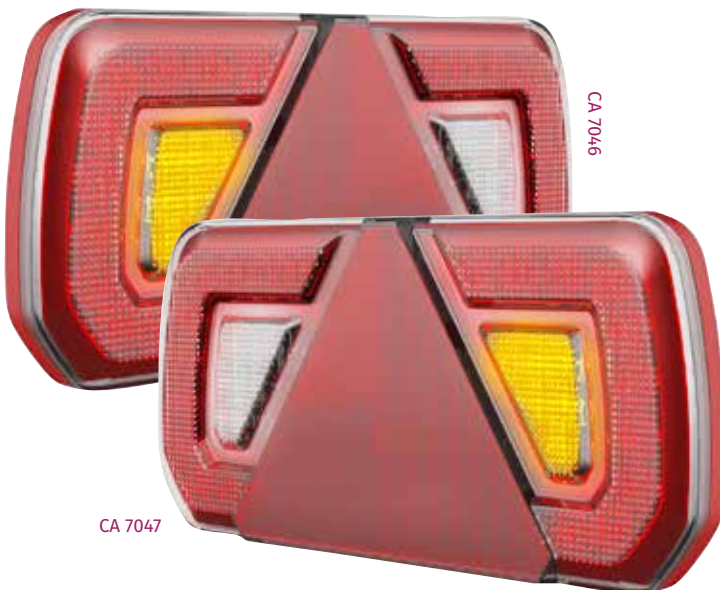
CA 7047

MULTIFUNCTIONAL TAIL LAMP (RIGHT)

- Bolt Mount / M6
- Cable Length: 500mm

VOLT 10-30	LED 38	IP 67	ECE REG 3 / 6 / 7 10 / 23 / 38
WATT 11	LENS PMMA	BASE ABS	OPER TEMP -40°C to +65°C

STOP ✓	TAIL ✓	D.I. ✓	REV. ✓
FOG ✓	REF. ✓	N.P. -	



CA 7035

MULTIFUNCTIONAL TAIL LAMP (LEFT)

- Bolt / Screw Mount
- Cable Length: 250mm

VOLT 12-24	LED 32	IP 67	ECE REG 3 / 6 / 7 / 23 / 38
WATT 14	LENS PC	BASE ABS	OPER TEMP -40°C to +65°C
STOP ✓	TAIL ✓	D.I. ✓	REV. ✓
FOG ✓	REF. ✓	N.P. -	

CA 7036

MULTIFUNCTIONAL TAIL LAMP (RIGHT)

- Bolt / Screw Mount
- Cable Length: 250mm

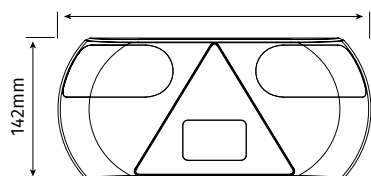
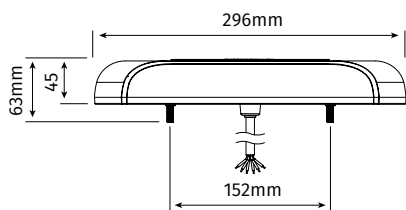
VOLT 12-24	LED 32	IP 67	ECE REG 3 / 6 / 7 / 23 / 38
WATT 14	LENS PC	BASE ABS	OPER TEMP -40°C to +65°C
STOP ✓	TAIL ✓	D.I. ✓	REV. ✓
FOG ✓	REF. ✓	N.P. -	



CA 7035



CA 7036



CA 7035



CA 7036



LED Tail Lamps (Multifunction)

CA 7105L

MULTIFUNCTIONAL TAIL LAMP (LEFT)

- Bolt Mounting
- Cable Length: 230mm

VOLT 12-24	LED 32	IP 67	ECE REG 3 / 6 / 7 / 23
WATT 6.7	LENS PMMA	BASE ABS	OPER TEMP -45°C to +70°C
STOP ✓	TAIL ✓	D.I. ✓	REV. ✓
		FOG -	REF. ✓
			N.P. -

CA 7105R

MULTIFUNCTIONAL TAIL LAMP (RIGHT)

- Bolt Mounting
- Cable Length: 230mm

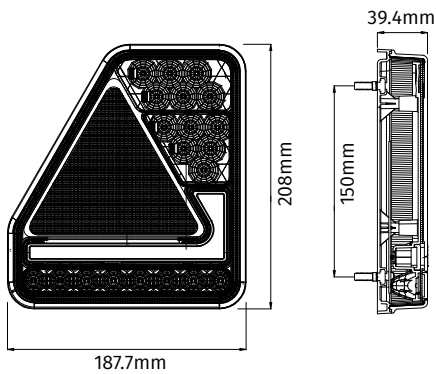
VOLT 12-24	LED 30	IP 67	ECE REG 3 / 6 / 7 / 38
WATT 10	LENS PMMA	BASE ABS	OPER TEMP -45°C to +70°C
STOP ✓	TAIL ✓	D.I. ✓	REV. -
		FOG ✓	REF. ✓
			N.P. -



CA 7105L



CA 7105R



CA 7026

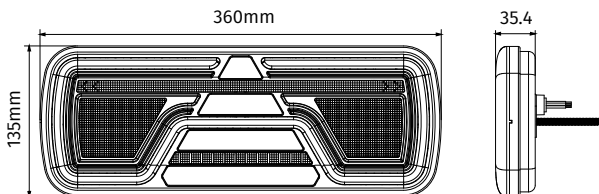
COMMERCIAL TAIL LAMP (LEFT)

CA 7027

COMMERCIAL TAIL LAMP (RIGHT)

- With Dynamic Indicator
- Bolt Mount (2*M6)
- Potting sealed
- Cable Length: 500mm
- Dimensions: 360*135*35.4mm

VOLT 10-30	LED 118	IP 67	ECE REG 3 / 6 / 7 10 / 23 / 38
WATT 14.5	LENS PC	BASE ABS	OPER TEMP -40°C to +65°C
STOP ✓	TAIL ✓	D.I. ✓	REV. ✓
FOG ✓	REF. ✓	STALK -	



CA 7026



CA 7027

CA 7020

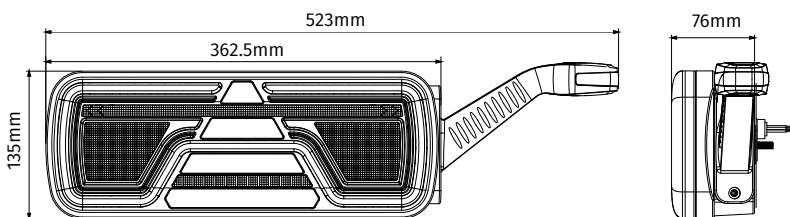
COMMERCIAL TAIL LAMP (LEFT)

CA 7021

COMMERCIAL TAIL LAMP (RIGHT)

- With Dynamic Indicator
- Bolt Mount (2*M6)
- Potting sealed
- EPDM Rubber Stalk Lamp
- Cable Length: 500mm
- Dimensions: 523*135*76mm

VOLT 10-30	LED 128	IP 67	ECE REG 3 / 6 / 7 10 / 23 / 38
WATT 16.1	LENS PC	BASE ABS	OPER TEMP -40°C to +65°C
STOP ✓	TAIL ✓	D.I. ✓	REV. ✓
FOG ✓	REF. ✓	STALK ✓	



CA 7020



CA 7021

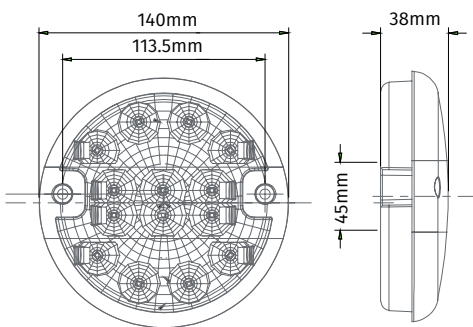
LED Tail Lamps (Multifunction)

CA 9013

ROUND LED LIGHT (FOG)

- Bolt Mounting
- Cable Length: 150mm

VOLT 12-24	LED 14	IP 67	ECE REG 38
WATT 4	LENS PMMA	BASE ABS	OPER TEMP -40°C to +65°C
STOP -	TAIL -	D.I. -	REV. -
FOG ✓	REF. -	N.P. -	

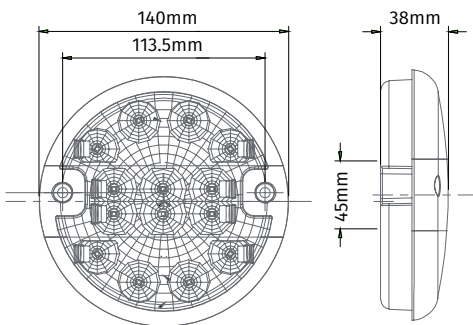


CA 9014

ROUND LED LIGHT (REVERSE)

- Bolt Mounting
- Cable Length: 150mm

VOLT 12-24	LED 14	IP 67	ECE REG 23
WATT 1.5	LENS PMMA	BASE ABS	OPER TEMP -40°C to +65°C
STOP -	TAIL -	D.I. -	REV. ✓
FOG -	REF. -	N.P. -	



CA 9007

MULTIFUNCTIONAL TAIL LAMP (WITH BOWL)

VOLT 12-24	LED 14	IP 67	ECE REG 6 / 7
WATT 4.3	LENS PMMA	BASE ABS	OPER TEMP -40°C to +65°C

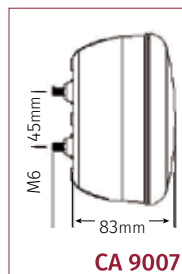
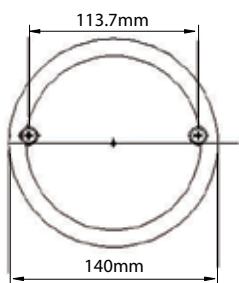
CA 9009

MULTIFUNCTIONAL TAIL LAMP (WITHOUT BOWL)

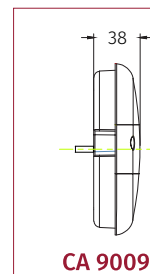
- Bolt Mount / M6
- Cable Length: 500mm

VOLT 12-24	LED 14	IP 67	ECE REG 6 / 7
WATT 4.3	LENS PMMA	BASE ABS	OPER TEMP -40°C to +65°C

STOP ✓	TAIL ✓	D.I. ✓	REV. -	FOG -	REF. -	N.P. -
-----------	-----------	-----------	-----------	----------	-----------	-----------



CA 9007



CA 9009



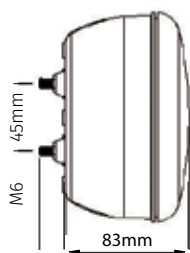
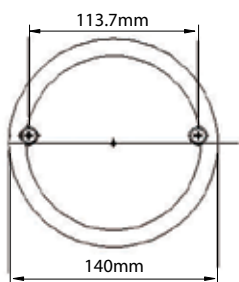
CA 9008

MULTIFUNCTIONAL TAIL LAMP (WITH BOWL)

- Bolt Mount / M6
- Cable Length: 500mm

VOLT 12-24	LED 20	IP 67	ECE REG 6 / 7 / 10
WATT 6.5	LENS PC	BASE ABS	OPER TEMP -40°C to +65°C

STOP ✓	TAIL ✓	D.I. ✓	REV. -	FOG -	REF. -	N.P. -
-----------	-----------	-----------	-----------	----------	-----------	-----------

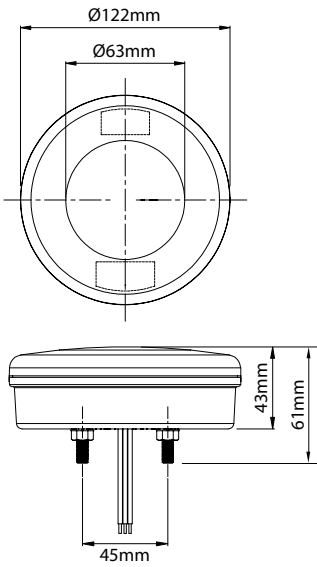


LED Tail Lamps (Multifunction)

CA 7008

5.5" MULTIFUNCTIONAL TAIL LAMP

- Bolt Mounting
- Cable Length: 230mm



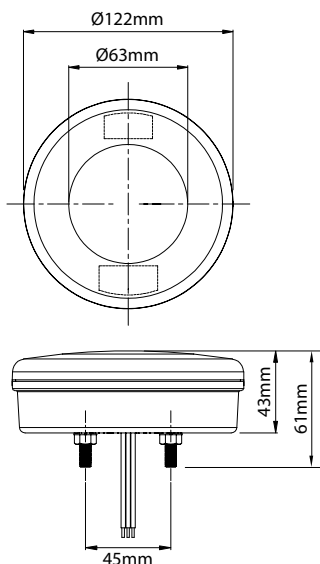
VOLT 10-30	LED 36	IP 67	ECE REG 6 / 7			
WATT 4	LENS PMMA	BASE ABS	OPER TEMP -40°C to +65°C			
STOP ✓	TAIL ✓	D.I. ✓	REV. -	FOG -	REF. -	N.P. -



CA 7009

5.5" MULTIFUNCTIONAL FOG / REVERSE

- Bolt Mounting
- Cable Length: 500mm



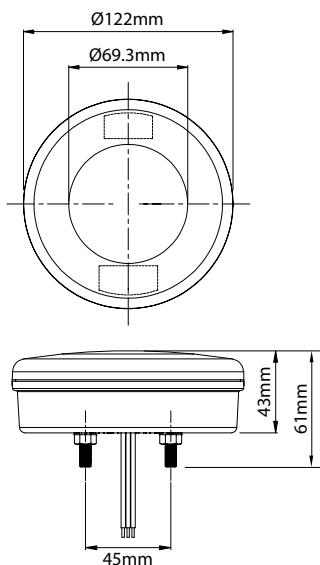
VOLT 10-30	LED 24	IP 67	ECE REG 23 / 38
WATT 1.5	LENS PMMA	BASE ABS	OPER TEMP -40°C to +65°C
STOP -	TAIL -	D.I. -	REV. ✓
			FOG ✓
			FR. -
			N.P. -



CA 7010

5.5" MULTIFUNCTIONAL FRONT POSITION / INDICATOR

- Bolt Mounting
- Cable Length: 230mm



VOLT 10-30	LED 24	IP 67	ECE REG 6 / 7
WATT 1.5	LENS PMMA	BASE ABS	OPER TEMP -40°C to +65°C
STOP -	TAIL -	D.I. ✓	REV. -
			FOG -
			FR. ✓
			N.P. -



LED Tail Lamps (Multifunction)

CA 7040

MULTIFUNCTIONAL TAIL LAMP (LEFT)

- Bolt Mounting
- Cable Length: 500mm



VOLT 12-24	LED 42	IP 67	ECE REG 6 / 7 / 23 / 91
WATT 10.5	LENS PMMA	BASE ABS	OPER TEMP -40°C to +60°C
STOP ✓	TAIL ✓	D.I. ✓	REV. ✓
FOG -	REF. -	S.M. ✓	



CA 7041

MULTIFUNCTIONAL TAIL LAMP (RIGHT)

- Bolt Mounting
- Cable Length: 500mm



VOLT 12-24	LED 42	IP 67	ECE REG 6 / 7 / 23 / 38 / 91
WATT 12.5	LENS PMMA	BASE ABS	OPER TEMP -40°C to +60°C
STOP ✓	TAIL ✓	D.I. ✓	REV. -
FOG ✓	REF. -	S.M. ✓	



CA 7042

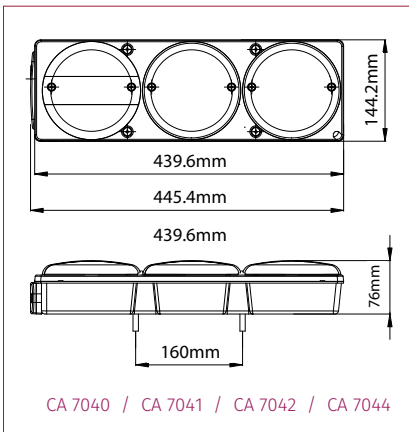
MULTIFUNCTIONAL TAIL LAMP (LEFT)

CA 7044

MULTIFUNCTIONAL TAIL LAMP (RIGHT)

- Bolt Mounting
- Cable Length: 500mm

VOLT 12-24	LED 42	IP 67	ECE REG 6 / 7 / 91
WATT 13.5	LENS PMMA	BASE ABS	OPER TEMP -40°C to +60°C
STOP ✓	TAIL ✓	D.I. ✓	REV. -
FOG -	REF. -	S.M. ✓	



CA 7042 / CA 7044



CA 6090A

MARKER LAMP (AMBER)

VOLT 12-24	LED 3	IP 67	ECE REG 91
WATT 0.7	LENS PMMA	BASE ABS	OPER TEMP -40°C to +85°C

CA 6090R

MARKER LAMP (RED)

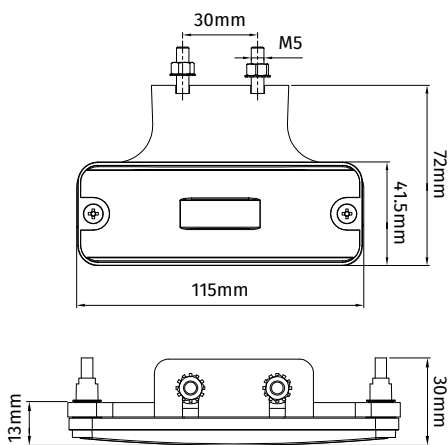
VOLT 12-24	LED 3	IP 67	ECE REG 7
WATT 0.7	LENS PMMA	BASE ABS	OPER TEMP -40°C to +85°C

CA 6090W

MARKER LAMP (WHITE)

- Flush / Bracket Mount
- Cable Length: 190mm

VOLT 12-24	LED 3	IP 67	ECE REG 7
WATT 0.7	LENS PMMA	BASE ABS	OPER TEMP -40°C to +85°C



LED Marker Lamps

CA 7090A

MARKER LAMP (AMBER)

VOLT 12-24	LED 5	IP 67	ECE REG 3 / 91
WATT 1.0	LENS PMMA	BASE ABS	OPER TEMP -30°C to +50°C

CA 7090R

MARKER LAMP (RED)

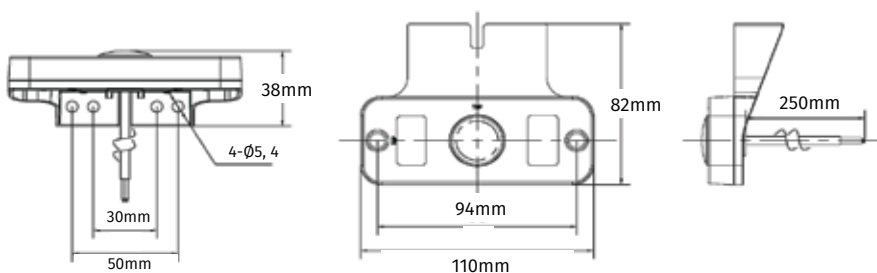
VOLT 12-24	LED 5	IP 67	ECE REG 3 / 7
WATT 1.0	LENS PMMA	BASE ABS	OPER TEMP -30°C to +50°C

CA 7090W

MARKER LAMP (WHITE)

- Surface / Bracket Mount
- Cable Length: 250mm

VOLT 12-24	LED 5	IP 67	ECE REG 3 / 7
WATT 1.0	LENS PMMA	BASE ABS	OPER TEMP -30°C to +50°C



CA 9350

SIDE MARKER LAMP (AMBER)

VOLT 12-24	LED 3	IP 67	ECE REG 3 / 10 / 91
WATT 1.5	LENS PMMA	BASE TPR*	OPER TEMP -30°C to +50°C

CA 9350R

SIDE MARKER LAMP (RED)

VOLT 12-24	LED 3	IP 67	ECE REG 3 / 7 / 10
WATT 1.5	LENS PMMA	BASE TPR*	OPER TEMP -30°C to +50°C

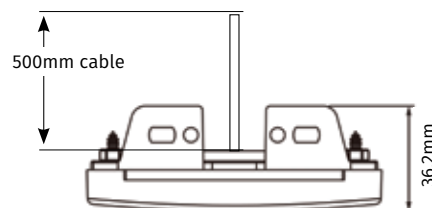
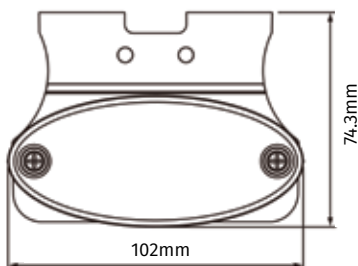
CA 9350W

SIDE MARKER LAMP (WHITE)

- Surface / Bracket Mount
- Cable Length: 500mm

VOLT 12-24	LED 3	IP 67	ECE REG 3 / 7 / 10
WATT 1.5	LENS PMMA	BASE TPR*	OPER TEMP -30°C to +50°C

*TPR = Thermoplastic Housing



CA 6095A

MARKER LAMP (AMBER)

VOLT 10-30	LED 2	IP 66	ECE REG 91
WATT 1.0	LENS PC	BASE ABS	OPER TEMP -40°C to +65°C

CA 6095R

MARKER LAMP (RED)

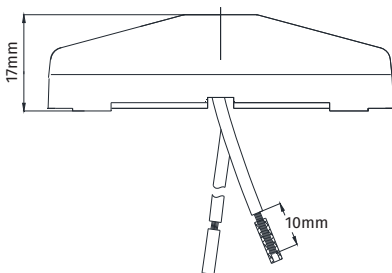
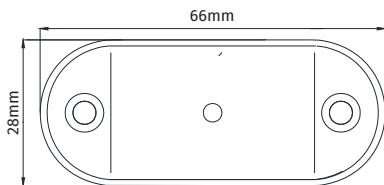
VOLT 10-30	LED 2	IP 66	ECE REG 7
WATT 1.0	LENS PC	BASE ABS	OPER TEMP -40°C to +65°C

CA 6095W

MARKER LAMP (WHITE)

- Surface Mount
- Cable Length: 180mm

VOLT 10-30	LED 2	IP 66	ECE REG 7
WATT 1.0	LENS PMMA	BASE ABS	OPER TEMP -40°C to +65°C



CA 9310A

SIDE MARKER LAMP (AMBER)

VOLT 12-24	LED 3	IP 67	ECE REG 3 / 10 / 91
WATT 1.5	LENS PMMA	BASE ABS	OPER TEMP -40°C to +65°C

CA 9310R

SIDE MARKER LAMP (RED)

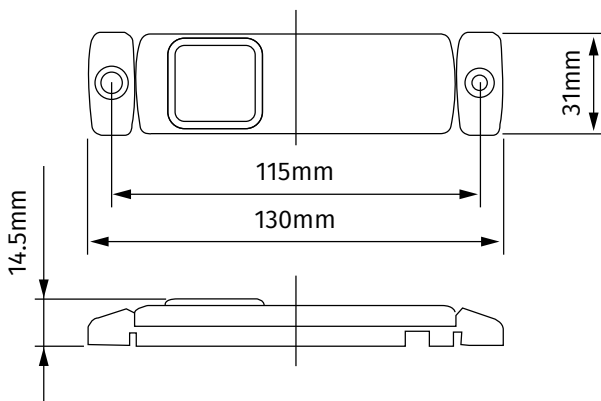
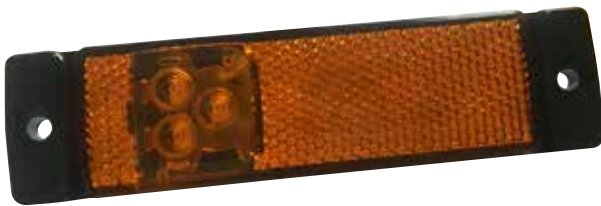
VOLT 12-24	LED 3	IP 67	ECE REG 3 / 7 / 10
WATT 1.5	LENS PMMA	BASE ABS	OPER TEMP -40°C to +65°C

CA 9310W

SIDE MARKER LAMP (WHITE)

- Surface / Bracket Mount
- Cable Length: 500mm

VOLT 12-24	LED 3	IP 67	ECE REG 3 / 7 / 10
WATT 1.5	LENS PMMA	BASE ABS	OPER TEMP -40°C to +65°C



CA 9315A

MARKER LAMP (AMBER)

VOLT 12-24	LED 2	IP 66	ECE REG 91
WATT 3	LENS PMMA	BASE ABS	OPER TEMP -40°C to +60°C

CA 9315R

MARKER LAMP (RED)

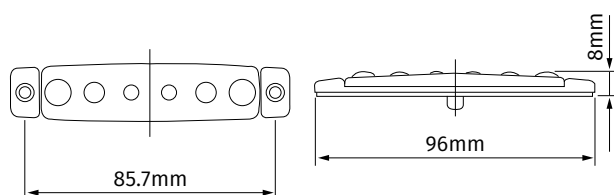
VOLT 12-24	LED 2	IP 66	ECE REG 7
WATT 3	LENS PMMA	BASE ABS	OPER TEMP -40°C to +60°C

CA 9315W

MARKER LAMP (WHITE)

- Surface / Bracket Mount
- Cable Length: 500mm

VOLT 12-24	LED 2	IP 66	ECE REG 7
WATT 3	LENS PMMA	BASE ABS	OPER TEMP -40°C to +60°C



CA 9320A

SIDE MARKER LAMP (AMBER)

VOLT 12-24	LED 2	IP 67	ECE REG 3 / 10 / 91
WATT 2	LENS PMMA	BASE ABS	OPER TEMP -45°C to +60°C

CA 9320R

SIDE MARKER LAMP (RED)

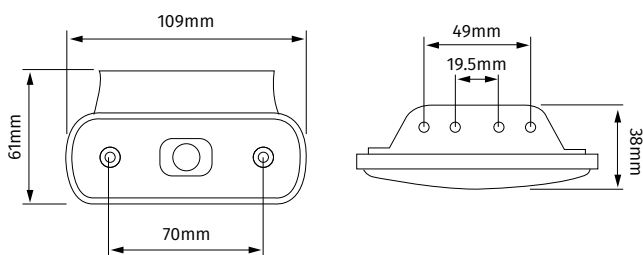
VOLT 12-24	LED 2	IP 67	ECE REG 3 / 7 / 10
WATT 2	LENS PMMA	BASE ABS	OPER TEMP -45°C to +60°C

CA 9320W

SIDE MARKER LAMP (WHITE)

- Surface / Bracket Mount
- Cable Length: 500mm

VOLT 12-24	LED 2	IP 67	ECE REG 3 / 7 / 10
WATT 2	LENS PMMA	BASE ABS	OPER TEMP -45°C to +60°C



LED Marker Lamps

CA 9330A

SIDE MARKER LAMP (AMBER)

VOLT 12-24	LED 2	IP 67	ECE REG 3 / 10 / 91
WATT 2	LENS ABS	BASE TPR*	OPER TEMP -45°C to +60°C

CA 9330R

SIDE MARKER LAMP (RED)

VOLT 12-24	LED 2	IP 67	ECE REG 3 / 7 / 10
WATT 2	LENS ABS	BASE TPR*	OPER TEMP -45°C to +60°C

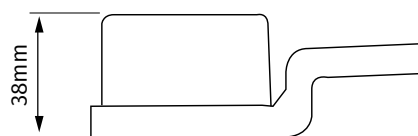
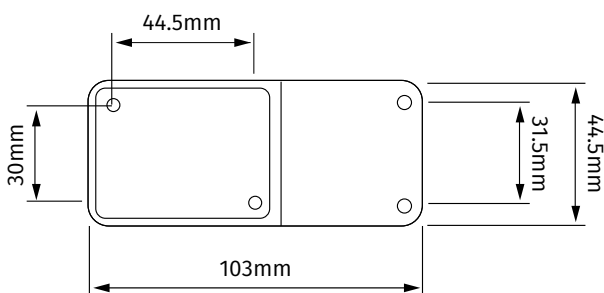
CA 9330W

SIDE MARKER LAMP (WHITE)

- Surface / Bracket Mount
- Cable Length: 500mm

VOLT 12-24	LED 2	IP 67	ECE REG 3 / 7 / 10
WATT 2	LENS ABS	BASE TPR*	OPER TEMP -45°C to +60°C

*TPR = Thermoplastic Housing



CA 6091A

MARKER LAMP (AMBER)

VOLT 10-30	LED 3	IP 67	ECE REG 91
WATT 1.8	LENS PMMA	BASE PVCG	OPER TEMP -40°C to +65°C

CA 6091R

MARKER LAMP (RED)

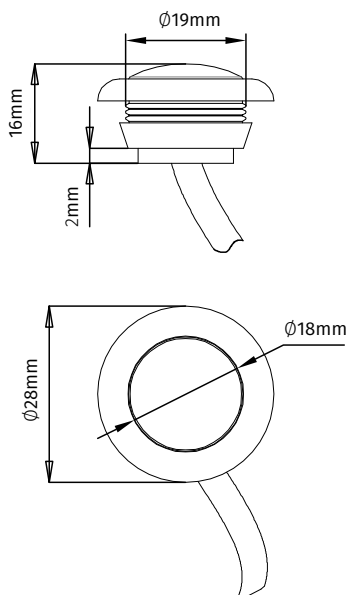
VOLT 10-30	LED 3	IP 67	ECE REG 7
WATT 1.8	LENS PMMA	BASE PVCG	OPER TEMP -40°C to +65°C

CA 6091W

MARKER LAMP (WHITE)

- Surface Mount
- Cable Length: 180mm

VOLT 10-30	LED 3	IP 67	ECE REG 7
WATT 1.8	LENS PMMA	BASE PVCG	OPER TEMP -40°C to +65°C



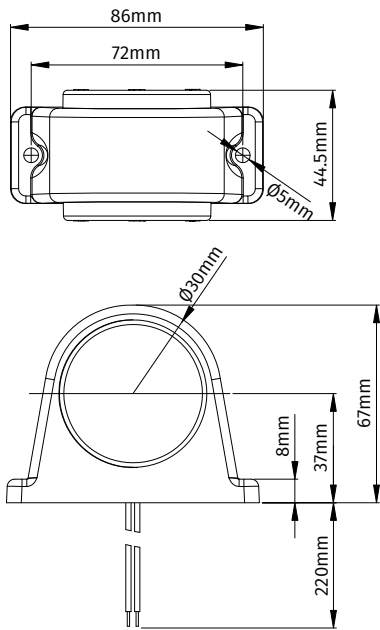
LED Marker Lamps

CA 9711

RUBBER MARKER LAMP

- Surface Mount
- Cable Length: 220mm

VOLT 10-30	LED 8	IP 67	ECE REG 7
WATT 1.0	LENS PMMA	BASE EPDM	OPER TEMP -40°C to +65°C

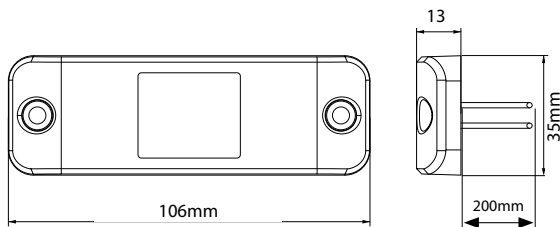


CA 7120

LED SIDE MARKER LAMP (AMBER)

- Surface Mount
- Cable Length: 220mm
- Resin Potted Sealed

VOLT 12-24	LED 2	IP 67	ECE REG 3 / 10 / 91
WATT 1	LENS PC	BASE -	OPER TEMP -45°C to +60°C

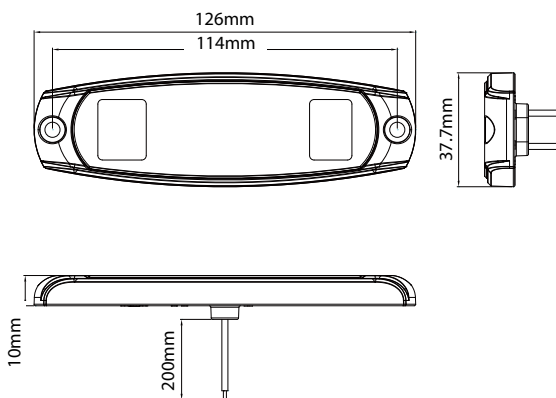


CA 7091A

LED SIDE MARKER LAMP (AMBER)

- Surface Mount
- Cable Length: 200mm
- Resin Ultrasonic Sealed

VOLT 12-24	LED 2	IP 67	ECE REG 3 / 10 / 91
WATT 1	LENS PMMA	BASE ABS	OPER TEMP -45°C to +60°C



LED Stalk Lamps

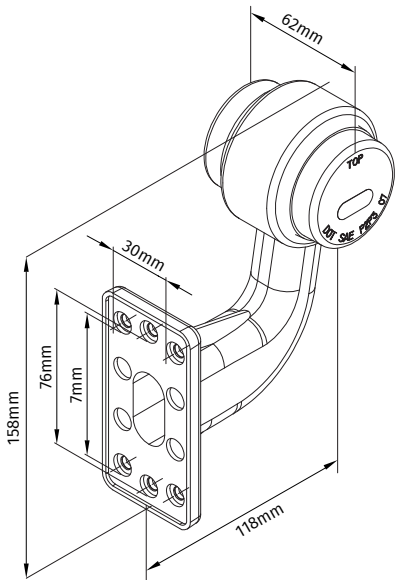
CA 6298

STALK LAMP (LEFT 90°)

CA 6299

STALK LAMP (RIGHT 90°)

· Cable Length: 130mm



VOLT 12-24	LED 6	IP 66	ECE REG 7
WATT 1.0	LENS PC	BASE ABS	OPER TEMP -40°C to +65°C



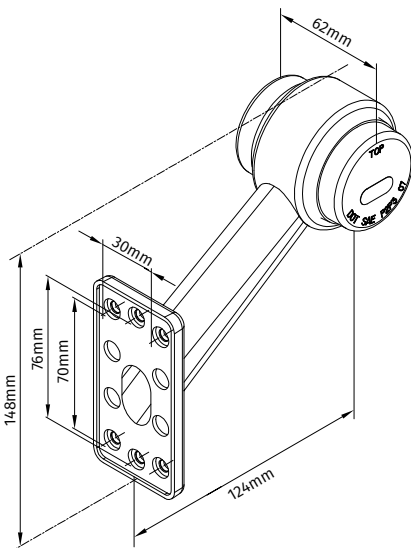
CA 6296

STALK LAMP (LEFT 60°)

CA 6297

STALK LAMP (RIGHT 60°)

· Cable Length: 200mm



VOLT 12-24	LED 6	IP 66	ECE REG 7
WATT 1.0	LENS PC	BASE ABS	OPER TEMP -40°C to +65°C



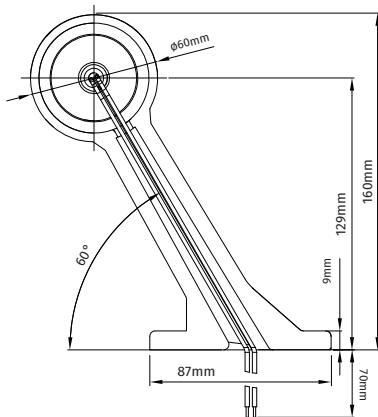
CA 6096

STALK LAMP (LEFT 60°)

CA 6097

STALK LAMP (RIGHT 60°)

- Surface Mount
- Cable Length: 370mm
- EPDM Rubber Housing
- Extra Flexible



VOLT 10-30	LED 8	IP 67	ECE REG 7
WATT 1.0	LENS PMMA	BASE EPDM	OPER TEMP -40°C to +65°C



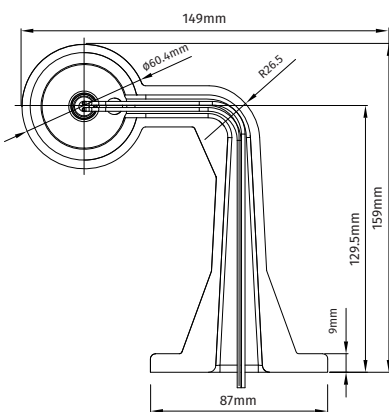
CA 6196

STALK LAMP (LEFT 90°)

CA 6197

STALK LAMP (RIGHT 90°)

- Surface Mount
- Cable Length: 370mm
- EPDM Rubber Housing
- Extra Flexible



VOLT 10-30	LED 8	IP 67	ECE REG 7
WATT 1.0	LENS PMMA	BASE EPDM	OPER TEMP -40°C to +65°C



LED Stalk Lamps

CA 6193V

STALK LAMP (LEFT 45°)

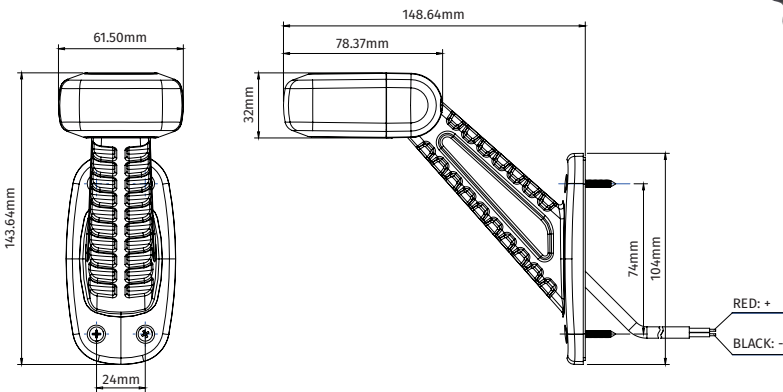
CA 6194V

STALK LAMP (RIGHT 45°)

- Vertical Mount
- Cable Length: 200mm
- EPDM Rubber Housing

VOLT 12-24	LED 5	IP 67	ECE REG 7 / 91
WATT 1.5	LENS PMMA	BASE EPDM	OPER TEMP -40°C to +65°C

- LED Front
- LED Rear
- LED Side



CA 6193

STALK LAMP (LEFT 45°)

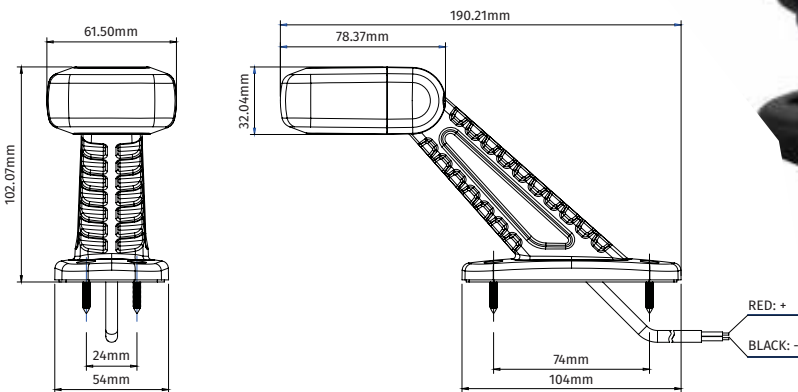
CA 6194

STALK LAMP (RIGHT 45°)

- Horizontal Mount
- Cable Length: 200mm
- EPDM Rubber Housing

VOLT 12-24	LED 5	IP 67	ECE REG 7 / 91
WATT 1.5	LENS PMMA	BASE EPDM	OPER TEMP -40°C to +65°C

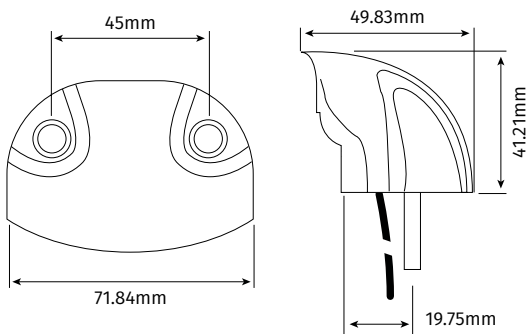
- LED Front
- LED Rear
- LED Side



CA 7085 NUMBERPLATE LAMP

- Surface Mount
- Cable Length: 240mm

VOLT 10-30	LED 4	IP 67	ECE REG 4
WATT 1.0	LENS PC	BASE ABS	OPER TEMP -40°C to +65°C



CA 9550

MAGNETIC TRAILER LIGHTS

• 7.5 Metre Cable (2.5m between lamps)

CA 9550L

EXTRA LENS FOR:

CA 9550, CA 9500, 9501, CA 9502, CA 9509.

CA 9200

MODULE FOR:

CA 9550, CA 9500, 9501, CA 9502, CA 9509.

- Light Source - BULB
- 7 Pin Power Connection



VOLT 12	LED -	IP 67	ECE REG 4 / 6 / 7
WATT 42.5	LENS ACR	BASE PVC	OPER TEMP -
STOP ✓	TAIL ✓	D.I. ✓	REV. -
FOG -	REF. -	N.P. ✓	



CA 9553

LED MAGNETIC TRAILER LIGHTS

• 7.5 Metre Cable (2.5m between lamps)

CA 9554

LED MAGNETIC TRAILER LIGHTS

• 12 Metre Cable (2.5m between lamps)

- Light Source - LED
- 7 Pin Power Connection



VOLT 12	LED 66	IP 67	ECE REG 3 / 4 / 6 / 7
WATT 5.6	LENS ACR	BASE PVC	OPER TEMP -
STOP ✓	TAIL ✓	D.I. ✓	REV. -
FOG -	REF. ✓	N.P. ✓	



CA 9500

TRAILER BOARDS WITH FOG LIGHTS

- 4ft Board Length
- 7 Metre Cable

VOLT 12	LED -	IP 67	ECE REG 3 / 4 / 6 / 7 / 38
WATT 63.2	LENS ACR	BASE PVC	OPER TEMP -
STOP ✓	TAIL ✓	D.I. ✓	REV. -
FOG ✓	REF. ✓	N.P. ✓	

CA 9502

TRAILER BOARDS WITH FOG LIGHTS

- 4ft Board Length
- 10 Metre Cable

- Light Source - BULB
- 7 Pin Power Connection



CA 9504

LED TRAILER BOARDS WITH FOG LIGHTS

- 4ft Board Length
- 7 Metre Cable

VOLT 12	LED 44	IP 67	ECE REG 3 / 4 / 6 / 7 / 38
WATT 5.6	LENS ACR	BASE PVC	OPER TEMP -
STOP ✓	TAIL ✓	D.I. ✓	REV. -
FOG ✓	REF. ✓	N.P. ✓	

CA 9507

LED TRAILER BOARDS WITH FOG LIGHTS

- 5ft Board Length
- 12 Metre Cable

CA 9505

LED TRAILER BOARDS WITH FOG LIGHTS

- 4ft Board Length
- 12 Metre Cable

- Light Source - LED
- 7 Pin Power Connection

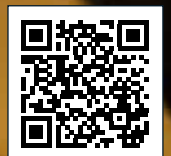






Interior Lights Inspection Lamps

Visit our website to view all Lighting Product information
www.247lighting.net

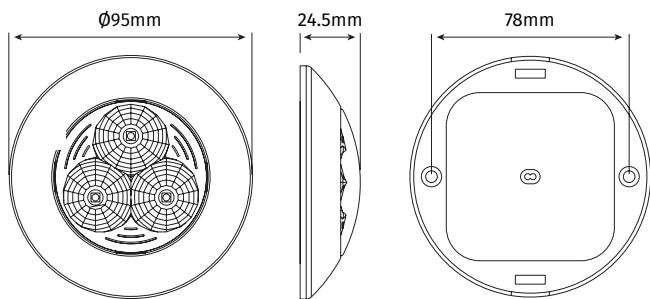


CA 6151

4" ROUND DOME INTERIOR LIGHT

- 400mm Cable
- Surface Mount

VOLT 12-24	WATT 3	LED 3	IP -	EMC ✓
LUMEN 300	LENS PC	BASE ABS	OPER TEMP 26° C	

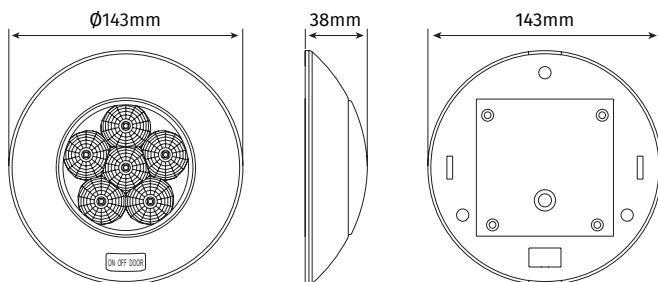


CA 6150

6" ROUND DOME INTERIOR LIGHT (C/W SWITCH)

- 400mm Cable
- Surface Mount
- On / Off / Door Switch

VOLT 12-24	WATT 6	LED 6	IP -	EMC ✓
LUMEN 600	LENS PC	BASE ABS	OPER TEMP 26° C	



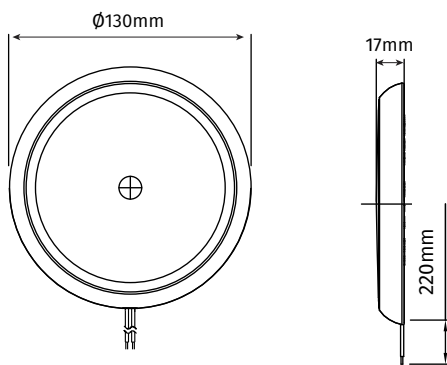
CA 6152

5" ROUND INTERIOR LIGHT

FROSTED LENS

- 200mm Cable
- Self Tapping bolt
- Illuminated Touch Switch

VOLT 12-24	WATT 18	LED 35	IP 67	ECE R10
LUMEN 2100	LENS PC	BASE PC	OPER TEMP -45°C to +60°C	

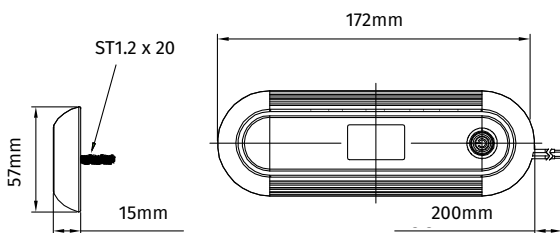


CA 6153

6.75" OVAL INTERIOR LIGHT

- 200mm Cable
- Surface Mount
- Illuminated Touch Switch

VOLT 12-24	WATT 10	LED 20	IP 67	ECE R10
LUMEN 1400	LENS PC	BASE PC	OPER TEMP -45°C to +60°C	

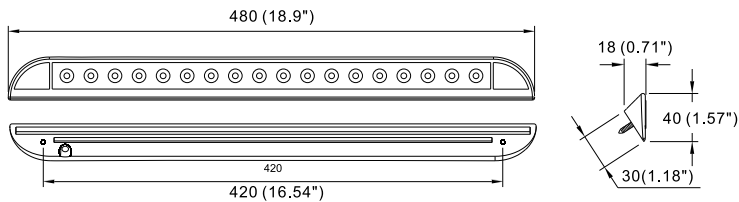


CA 7081

CORNER INTERIOR LIGHT

- Fits comfortably into a 90° Corner
- SMD LEDs
- Surface Mount without Switch
- CE Approved
- 480*18*40mm

VOLT 12-28	WATT 3.6	LED 18	IP 67	EMC ✓
LUMEN 360	LENS PC	BASE ABS	OPER TEMP -20°C to +50°C	

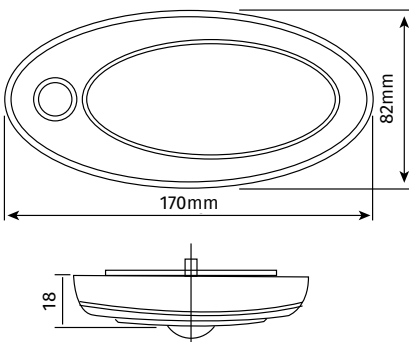


CA 7072

OVAL INTERIOR LIGHT - 170mm

- Potted Sealed Lens
- Screw Mount
- Illuminated Touch Switch
- 170*82*18mm

VOLT 10-30	WATT 5	LED 20	IP 67	ECE R10
LUMEN 800	LENS PC	BASE PC	OPER TEMP -40°C to +65°C	



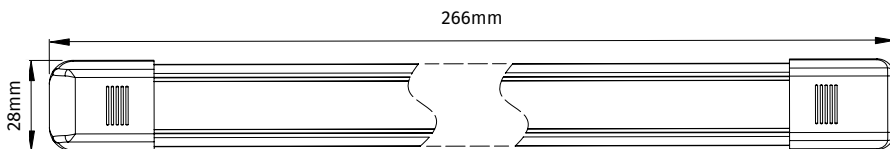
CA 7079

INTERIOR LIGHT - 266mm

- SMD Technology
- S/Steel Fixing
- On / Off Switch
- 266*28*13.5mm

VOLT 12-28	WATT 3	LED 18	IP 65	EMC ✓
LUMEN 380	LENS ACR	BASE ALUM	OPER TEMP -10°C to +50°C	

** TWIN PACK



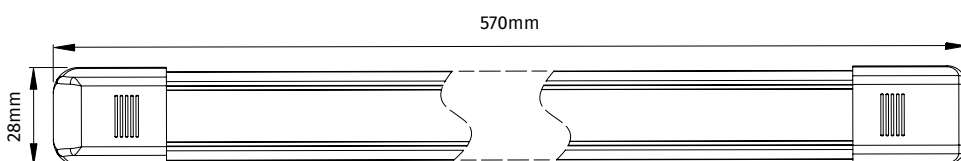
CA 7080

INTERIOR LIGHT - 570mm

- SMD Technology
- S/Steel Fixing
- On / Off Switch
- 570*28*13.5mm

VOLT 12-28	WATT 6	LED 45	IP 65	EMC ✓
LUMEN 900	LENS ACR	BASE ALUM	OPER TEMP -10°C to +50°C	

** TWIN PACK



CA 6078

INTERIOR SWIVEL LIGHT - 225mm

VOLT 12-28	WATT 2	LED 10	IP 65	EMC ✓
LUMEN 200	LENS ACR	BASE ALUM	OPER TEMP -10°C to +50°C	

CA 6077

INTERIOR SWIVEL LIGHT - 470mm

- 400mm Cable
- S/Steel Fixing
- On / Off Switch
- CA 6078: 225*35*33mm
- CA 6077: 470*35*33mm

VOLT 12-28	WATT 6	LED 30	IP 65	EMC ✓
LUMEN 660	LENS ACR	BASE ALUM	OPER TEMP -10°C to +50°C	

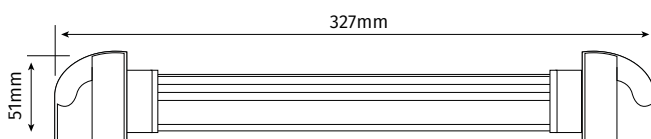


CA 6075

INTERIOR SWIVEL LIGHT - 327mm

- 400mm Cable
- S/Steel Fixing
- On / Off Switch
- Robust Design & Housing
- Rotate 180 deg (0< +/- 90 Deg)
- 327*51*46mm

VOLT 12-24	WATT 6	LED 6	IP 65	EMC ✓
LUMEN 600	LENS ACR	BASE ALUM	OPER TEMP -10°C to +50°C	

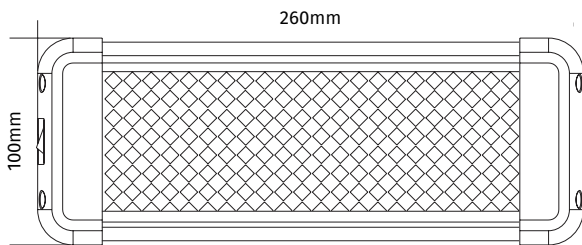
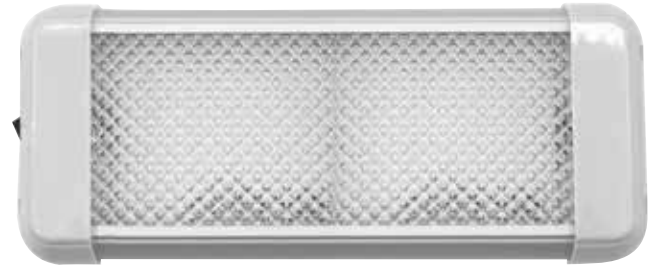


CA 7078

INTERIOR LIGHT - 262mm

- SMD Technology
- Shock Resistance - 20g
- Surface Mount
- On / Off Switch
- 260*100*28mm

VOLT 12-28	WATT 12	LED 48	IP 65	EMC ✓
LUMEN 960	LENS ACR	BASE ALUM	OPER TEMP -10°C to +50°C	

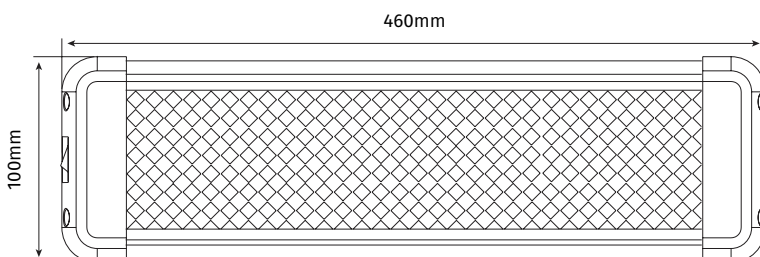
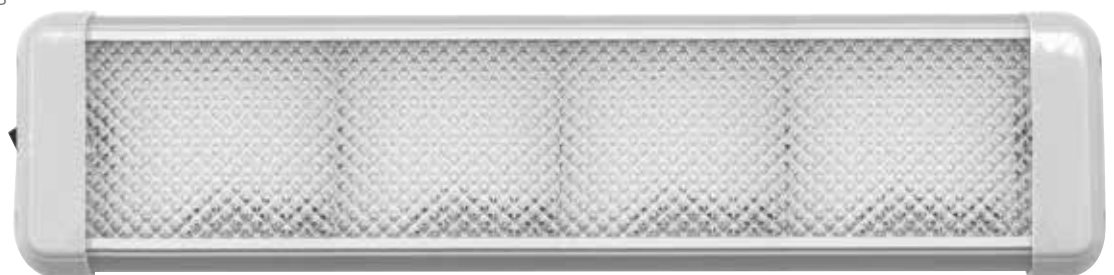


CA 7077

INTERIOR LIGHT - 462MM

- SMD Technology
- Shock Resistance - 20g
- Surface Mount
- On / Off Switch
- 460*100*28mm

VOLT 12-28	WATT 17.8	LED 96	IP 65	EMC ✓
LUMEN 1920	LENS ACR	BASE ALUM	OPER TEMP -10°C to +50°C	

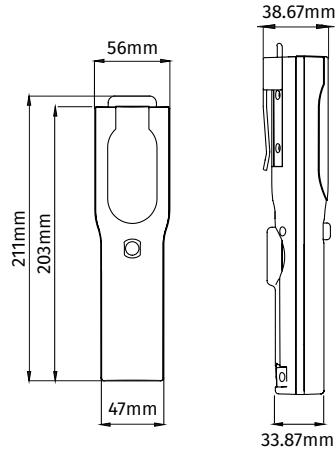


LED Inspection Lamps

EP 068

LED RECHARGEABLE INSPECTION LAMP & TORCH COMPACT

- 2 in 1 LED Lamp
- SMD Technology
- Front (500lm) & Top (80lm) LEDs
- Heavy Duty Magnet
- Belt Clip / Swivel Hooks
- Charger: Mains/Car/USB
- Optional EU mains
- 3-5 Hours Work Time



VOLT 100-240	WATT 5+1	LED 10	IP 54	IR IK07
LUMEN 500+80	LENS PC	BASE ABS	OPER TEMP -5°C to +45°C	

AC/DC Adaptor Head
UK 3 PIN: **EP 064ADAPT**
EU 2 PIN: **EP 065ADAPT**

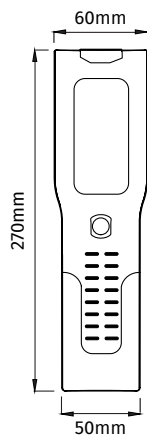
Counter Display
Box Available



EP 069

LED RECHARGEABLE INSPECTION LAMP & TORCH

- 2 in 1 LED Lamp
- SMD Technology
- Front (300lm) & Top (80lm) LEDs
- 2 Heavy Duty Magnets
- Swivel Handling Shank
- Rotates at Base
- Charger: Mains/Car/USB
- Optional EU mains
- 3-5 Hours Work Time



VOLT 110-240	WATT 5+1	LED 6	IP 20	IR IK07
LUMEN 300+80	LENS PC	BASE ABS	OPER TEMP -10°C to +45°C	

AC/DC Adaptor Head
UK 3 PIN: **EP 064ADAPT**
EU 2 PIN: **EP 065ADAPT**

Counter Display
Box Available



EP 066

LED INSPECTION LAMP & TORCH

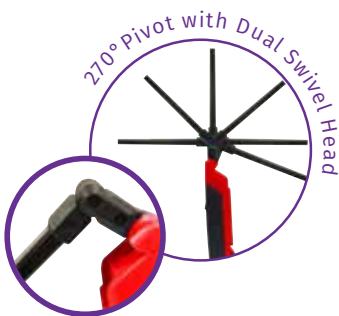
COB LED TECHNOLOGY

- 2 in 1 LED Lamp
- 270° Dual Pivot Head
- Rechargeable Lithium Battery
- Strong Magnetic Stand / Metal Hook
- 3 Brightness Settings (100%/50%/10%)
- Front (500lm) and Top (80lm) LEDs
- Light Output 500 Lumens
- Ultra Slim, Compact design
- Charger: Mains/Car/USB
- 3-5 Hours Work Time

Dimensions: 320*34*40mm

VOLT 100-240	WATT 5+1	LED SMD	IP 20	IR IK07
LUMEN 500+80	LENS PC	BASE ABS	OPER TEMP -5°C to +50°C	

Counter Display
Box Available





Contents

Reversing Camera Kits

7" Reversing Camera Kit (Wired)	104
7" Rear View Mirror Kit	105
7" Quad Screen Wireless Kit	106
7" Wireless Kit	107
Cameras	108
Monitors	109
Accessories	110

Reversing Aids

Warning Devices	111
Back Up Alarms.....	112 - 113

Mirrors

Universal Mirror Heads	114 - 115
Commercial Mirror Heads.....	116 - 117

247 Safety

Visit our website to view all Safety Product information
www.247lighting.net



Reversing Camera Kits

CA 9770

7" REVERSING CAMERA KIT

7" (178mm) TFT LCD Monitor

2 Channel Input

ECE approved

On Screen Display Menu Function

Camera Rated IP69

Night Vision: 10m

20 Metre Cable included



with Audio



CA 9773
Monitor for CA 9770
177*122*26mm



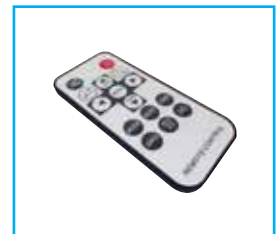
CA 9774
Camera for CA 9770
70*45*60mm



U Bracket
for CA 9770



CA 9776**
Cable for CA 9770
20 Metres



Remote Control
for CA 9770

** see pg 91 for additional cable lengths and extra accessories

Monitor Code	Voltage	Power	IP Rated	Display Resolution	Video Input	Audio Output	Format	Brightness / Contrast	Operating Temperatue	Sun Visor
CA 9773	12 - 24v	9 Pin (M) (1.5 Metre)	-	800 RGB (H) x 480 (V) Dot	2AV	0.2-0.4A / <10w	PAL/NTSC Auto	300 cd / m2 / 350:1	-10°C - +65°	✓

Camera Code	Voltage	Power	IP Rated	Infrared Lens	Image Sensor	Night Vision	Effective Pixels	Horizontal Resolution	Video Output	Operating Temperatue	Audio
CA 9774	12v	4 Pin (F) (550mm)	IP69	18 LEDs 2.5mm Built-in	CMOS	✓ (10m)	NTSC: 720*576 PAL: 720*487	550TVL	1.0Vpp / 75Ω	-20°C - +70°C	✓

CA 9772

7" REAR VIEW MIRROR CAMERA KIT

7" (178mm) TFT LCD Monitor

2 Channel Input

ECE approved

On Screen Display Menu Function

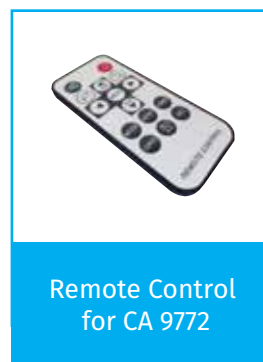
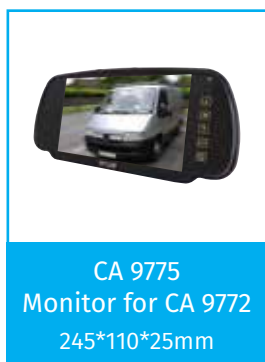
Camera Rated IP69

Night Vision: 10m

20 Metre Cable included



with Audio



** see pg 91 for additional cable lengths and extra accessories

Monitor Code	Voltage	Power	IP Rated	Display Resolution	Video Input	Audio Input	Format	Brightness / Contrast	Operating Temperatue
CA 9775	12 - 32v	9 Pin (M) (1.5 Metre)	-	480 RGB (H) x 234 (V) Dot	2AV	0.2-0.4A/<10W	PAL/NTSC Auto	300 cd/m2 / 350:1	-20°C - +70°

Camera Code	Voltage	Power	IP Rated	Infrared Lens	Image Sensor	Night Vision	Effective Pixels	Horizontal Resolution	Video Output	Operating Temperatue
CA 9774	12v	4 Pin (F) (550mm)	IP69	18 LEDs 2.5mm Built-in	CMOS	✓ (10m)	NTSC: 720*576 PAL: 720*487	550TVL	1.0Vpp / 75Ω	-20°C - +70°

Reversing Camera Kits

CA 9790

7" QUAD SCREEN WIRELESS KIT

7" (178mm) Quad Split Digital DVR HD Monitor

4 Wireless Channel Input

ECE approved

On Screen Display Menu Function

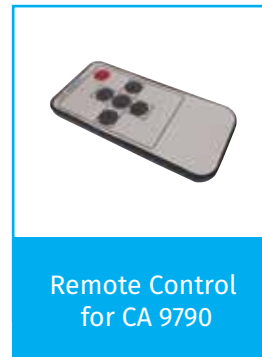
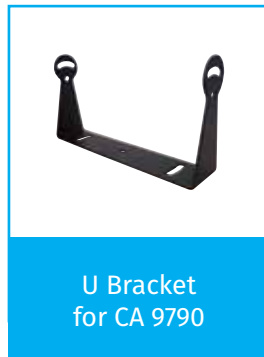
Dvr Recording Function

Camera Rated IP67

Night Vision: 15m



with Audio



see pg 91 for extra accessories

Monitor Code	Voltage	Power	IP Rated	Display Resolution	Video Input	Audio Output	Format	Brightness / Contrast	Operating Temperatue	Sun Visor
CA 9791	12 - 32v	8 Pin	-	800 RGB (H) x 480 (V) Dot	4AV	✓ 1 Channel	PAL/NTSC Auto	450cd/m2 / 450:1	-20°C - +70°	✓

Camera Code	Voltage	Power	IP Rated	Infrared Lens	Image Sensor	Night Vision	Effective Pixels	Horizontal Resolution	Video Output	Operating Temperatue	Audio
CA 9797	12 - 32v	DC Conn.	IP67	18 LEDs 2.8mm Built-in	CMOS	✓ (15m)	NTSC: 976*494 PAL: 976*494	600TVL	1.0Vpp / 75Ω	-20°C - +70°C	✓

CA 9780

7" WIRELESS REVERSING CAMERA KIT

7" (178mm) TFT LCD Monitor

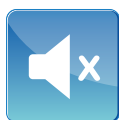
2 Channel Input: 1 x Wireless, 1 x Wired

ECE Approved

On Screen Display Menu Function

Camera Rated IP67

Night Vision: 10m



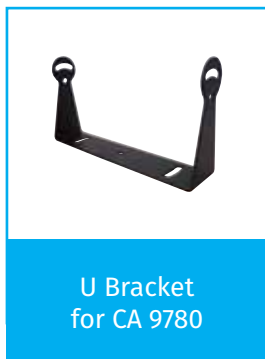
No Audio



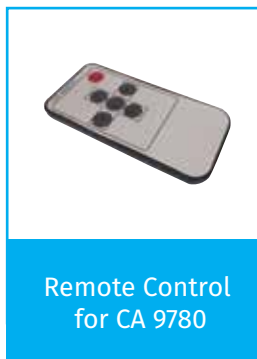
CA 9781
Monitor for CA 9780
204*141*78mm



CA 9782
Camera for CA 9780
95*70*65mm



U Bracket
for CA 9780



Remote Control
for CA 9780



Wireless Signal
up to 100m

see pg 91 for extra accessories

Monitor Code	Voltage	Power	IP Rated	Display Resolution	Video Input	Format	Brightness / Contrast	Operating Temperature	Sun Visor
CA 9781	9 - 32v	4 Pin (1.8 Metre)	-	800 RGB (H) x 480 (V) Dot	2 Way	PAL/NTSC Auto	300 cd/m2 / 400:1	-20°C - +70°C	✓

Camera Code	Voltage	Power	IP Rated	Infrared Lens	Image Sensor	Night Vision	Effective Pixels	Horizontal Resolution	Video Output	Operating Temperature
CA 9782	9 - 32v	4 Pin (450mm)	IP67	18 LEDs 2.8mm Built-in	CMOS 1099	✓ (10m)	NTSC: 960*576 PAL: 960*576	600TVL	1.0Vpp / 75Ω	-20°C - +70°C

CA 9774

247 COLOUR CAMERA

- Fitting: 4 Pin Cable (550mm)
- Bracket Mount

- Dimensions:
- (w) 70mm
- (h) 45mm
- (d) 60mm



CA 9782

247 WIRELESS COLOUR CAMERA

- Fitting: 4 Pin Cable (450mm)
- Bracket Mount

- Dimensions:
- (w) 95mm
- (h) 70mm
- (d) 65mm



CA 9797

247 WIRELESS COLOUR CAMERA

- Night Vision: 15m
- Bracket Mount

- Dimensions:
- (w) 75mm
- (h) 63mm
- (d) 48mm



CA 9784

247 LARGE SIDE MOUNT COLOUR CAMERA

- Fitting: 4 Pin Cable (550mm)
- Screw Mount

- Dimensions:
- (w) 78mm
- (h) 68mm
- (d) 70mm



CA 9785

247 FIX MOUNT COLOUR CAMERA

- Fitting: 4 Pin Cable (550mm)
- Screw Mount

- Dimensions:
- (w) 73mm
- (h) 60mm
- (d) 51mm



CA 9786

247 DOME MOUNT COLOUR CAMERA

- Fitting: 4 Pin Cable (550mm)
- Screw Mount

- Dimensions:
- (w) Ø95mm
- (h) 63mm
- (d) Ø95mm



CA 9787

247 SMALL SIDE MOUNT COLOUR CAMERA

- Fitting: 4 Pin Cable (550mm)
- Screw Mount

- Dimensions:
- (w) 50mm
- (h) 42mm
- (d) 70mm



Product Code	Sensor Type	H. Res. TVL	TV System	Effective Pixels	Video Output	Viewing Angle	Built-in Lens	Night Vision	Audio	Infrared LEDs	ECE	IP Rated
CA 9774	CMOS	550	PAL/NTSC	N: 720*576, P: 720*487	1.0Vp.p / 75Ω	120°	2.5mm	10m	✓	18	✓	IP69
CA 9782	CMOS	600	PAL/NTSC	N: 960*576, P: 960*576	1.0Vp.p / 75Ω	120°	2.8mm	10m	-	18	✓	IP67
CA 9797	CMOS	600	PAL/NTSC	N: 976*494, P: 976*494	1.0Vp.p / 75Ω	120°	2.8mm	15m	✓	18	✓	IP67
CA 9784	CMOS	550	PAL/NTSC	N: 720*576, P: 720*487	1.0Vp.p / 75Ω	120°	2.5mm	10m	-	12	✓	IP69
CA 9785	CMOS	550	PAL/NTSC	N: 720*576, P: 720*487	1.0Vp.p / 75Ω	120°	2.5mm	10m	-	10	✓	IP69
CA 9786	CMOS	550	PAL/NTSC	N: 720*576, P: 720*487	1.0Vp.p / 75Ω	120°	2.5mm	10m	-	12	✓	-
CA 9787	CMOS	700	PAL/NTSC	N: 960*576, P: 960*576	1.0Vp.p / 75Ω	120°	8.5mm	10m	-	6	✓	IP69

CA 9773

7" (178mm) TFT LCD MONITOR

Compatible with CA 9770

- 2 Channel Input / OSD Menu Function
- Dimensions: 177mm*122mm*26mm



with Audio



Remote Control



CA 9778

5" (146mm) TFT LCD MONITOR

Compatible with CA 9770

- 2 Channel Input / OSD Menu Function
- Dimensions: 146mm*110mm*26mm



with Audio



Remote Control



CA 9781

7" (178mm) TFT LCD MONITOR

Compatible with CA 9780

- 1 Channel Input / OSD Menu Function
- Dimensions: 204mm*141mm*78mm



No Audio



Remote Control



CA 9775

7" (178mm) TFT LCD MONITOR

Compatible with CA 9772

- 2 Channel Input / OSD Menu Function
- Dimensions: 245mm*110mm*25mm



with Audio



Remote Control



Product Code	Voltage	Power	IP Rated	Display Resolution	Video Input	Audio Output	Format	Brightness / Contrast	Operating Temperature	Sun Visor
CA 9773	12 - 32v	9 Pin (1.5 Metre)	-	800 RGB (H) x 480 (V) Dot	2AV	0.2~0.4A / <10w	PAL/NTSC Auto	300 cd/m2 / 350:1	-20°C - +70°C	✓
CA 9778	12 - 32v	9 Pin (1.5 Metre)	-	800 RGB (H) x 480 (V) Dot	2AV	0.2~0.4A / <10w	PAL/NTSC Auto	300 cd/m2 / 350:1	-20°C - +70°C	✓
CA 9781	9 - 32v	4 Pin (1.8 Metre)	-	800 RGB (H) x 480 (V) Dot	2 Way	-	PAL/NTSC Auto	300 cd/m2 / 400:1	-20°C - +70°C	✓
CA 9775	12 - 32v	9 Pin (1.5 Metre)	-	480 RGB (H) x 234 (V) Dot	2AV	0.2~0.4A/<10W	PAL/NTSC Auto	300 cd/m2 / 350:1	-20°C - +70°C	-

CA 9776

EXTENSION CABLE

- Length: 20 Metre
- Compatible with CA 9770 / CA 9772



CA 9776.05

EXTENSION CABLE

- Length: 5 Metre
- Compatible with CA 9770 / CA 9772



CA 9776.10

EXTENSION CABLE

- Length: 10 Metre
- Compatible with CA 9770 / CA 9772



CA 9776.15

EXTENSION CABLE

- Length: 15 Metre
- Compatible with CA 9770 / CA 9772



CA 9689

UNIVERSAL STAND FOR COLOUR MONITOR

- Fan Type
- Compatible with CA 9770 / CA 9772



CA 9657

UNIVERSAL STAND FOR COLOUR MONITOR

- Suction Type
- Compatible with CA 9770 / CA 9772



CA 9757

SUZIE CABLE KIT

- 2m Spring Cable / Coil / 2 x 7 Pin Female Connection
- Compatible with CA 9770 / CA 9772



CA 9783

ANTENNA FOR WIRELESS CAMERA / MONITOR

- Adhesive Type
- Compatible with CA 9780 / CA 9790



BLEP 780

WARNING BUZZER*

- Colour: Black
- Voltage: 12v
- dB level: 85dB @ 30cm
- Frequency: 400Hz
- Current: 30mA
- Size: 40mm x 35mm
- Fixing: Single Bolt
- Lucas Terminal
- Low Air Pressure



BLEP 781

WARNING BUZZER*

- Colour: Red
- Voltage: 24v
- dB level: 85dB @ 30cm
- Frequency: 400Hz
- Current: 30mA
- Size: 40mm x 35mm
- Fixing: Single Bolt
- Lucas Terminal
- Low Air Pressure



BLEP 817

ELECTRIC HORN*

- Voltage: 12v DC
- Size: Ø90mm
- Powder Coated, Chromed Body
- Fixing: Universal Mount Bracket
- Lucas Terminal
- Water Spray Proof



BLEP 816

ELECTRIC HORN*

- Voltage: 24v DC
- Size: Ø90mm
- Powder Coated, Chromed Body
- Fixing: Universal Mount Bracket
- Lucas Terminal
- Water Spray Proof



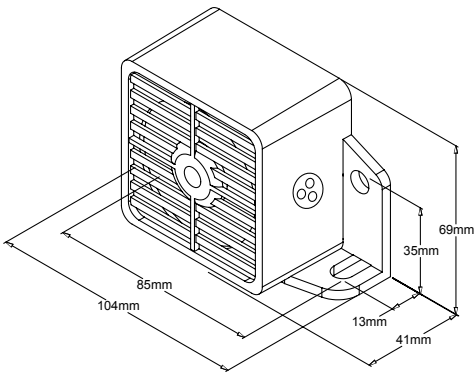
*This item is Blister Packed & barcoded ready for resale. To purchase this item in bulk without packaging please use the same part number without the "BL" prefix

EP 1207

EPOXY RESIN POTTED

BACK UP REVERSING ALARM / 97dB

- Sound Level: 97dB
- Tone Type: BEEP
- Heavy Duty, Weatherproof
- Contact Connector: Wire

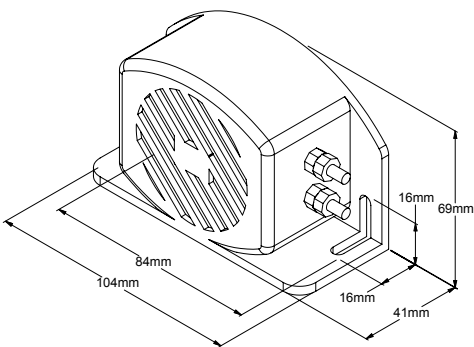


EP 1208

EPOXY RESIN POTTED

BACK UP REVERSING ALARM / 107dB

- Sound Level: 107dB
- Tone Type: BEEP
- Heavy Duty, Weatherproof
- Contact Connector: Screw / Stud



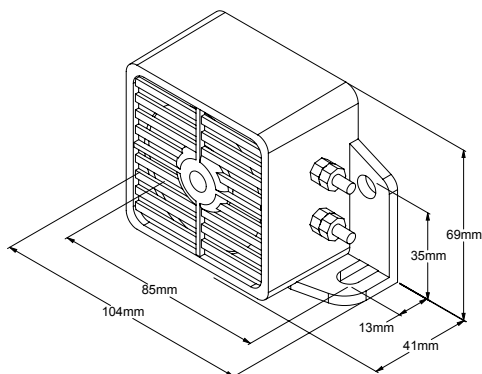
Product Code	Voltage	ECE Reg	IP Rated	Sound Level	Tone Type	Frequency (kHz)	Housing Material	Mounting	Operating Temperature
EP 1207	12 - 24v	Reg 10	IP67	97dB	BEEP	800 - 1400Hz	ABS	Screw / Stud	-40°C to +70°C
EP 1208	12 - 24v	Reg 10	IP67	107dB	BEEP	800 - 1400Hz	ABS	Screw / Stud	-40°C to +70°C

EP 1209

EPOXY RESIN POTTED

WHITE NOISE REVERSING ALARM / 97dB

- Sound Level: 97dB
- Tone Type: White Noise
- Heavy Duty, Weatherproof
- Contact Connector: Screw / Stud

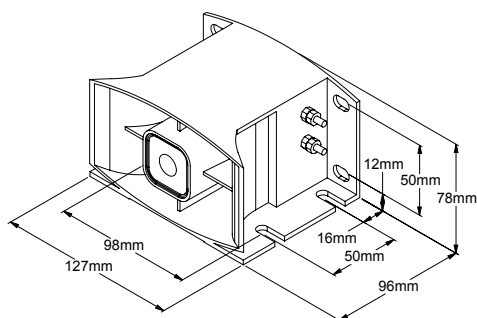


EP 1211

EPOXY RESIN POTTED

WHITE NOISE REVERSING ALARM / 107dB

- Sound Level: 107dB
- Tone Type: White Noise
- Heavy Duty, Weatherproof
- Contact Connector: Screw / Stud



Product Code	Voltage	ECE Reg	IP Rated	Sound Level	Tone Type	Frequency (kHz)	Housing Material	Mounting	Operating Temperature
EP 1209	12 - 24v	Reg 10	IP67	97dB	White Noise	800 - 1400Hz	ABS	Screw / Stud	-40°C to +70°C
EP 1211	12 - 24v	Reg 10	IP67	107dB	White Noise	800 - 4000Hz	ABS	Screw / Stud	-40°C to +70°C

Universal Mirror Heads

CA 200R

FLAT MIRROR HEAD

CA 200GR

Replacement Glass for CA 200R



CA 202R

FLAT MIRROR HEAD

CA 202GR

Replacement Glass for CA 202R



CA 262R

CONVEX MIRROR HEAD

CA 262GR

Replacement Glass for CA 262R



CA 206R

CONVEX MIRROR HEAD

CA 206GR

Replacement Glass for CA 206R



CA 228R

CONVEX MIRROR HEAD

CA 228GR

Replacement Glass for CA 228R



Product Code	Type	ECE	Length	Width	Arm	Vehicle
CA 200R	Flat	Reg 46	180mm	125mm	Fits: 8 - 12mm	Universal
CA 202R	Flat	Reg 46	232mm	145mm	Fits: 15 - 18mm	Universal
CA 262R	Convex	Reg 46	240mm	160mm	Fits: 10 - 24mm	Universal
CA 206R	Convex	Reg 46	375mm	183mm	Fits: 15 - 28mm	Universal
CA 228R	Convex	Reg 46	260mm	160mm	Fits: 15 - 28mm	Universal

CA 205R

FLAT MIRROR HEAD

CA 205GR

Replacement Glass for CA 205R



CA 260R

CONVEX MIRROR HEAD

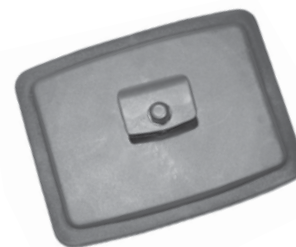
CA 260GR

Replacement Glass for CA 200R



CA 2912R

CONVEX MIRROR HEAD



CA 2920R

BLIND SPOT MIRROR HEAD



CA 295R

BLIND SPOT CONVEX MIRROR HEAD

CA 295GR

Replacement Glass for CA 295R



Product Code	Type	ECE	Length	Width	Arm	Vehicle
CA 205R	Flat	Reg 46	325mm	175mm	Fits: 18mm	Universal
CA 260R	Convex	Reg 46	377mm	189mm	Fits: 16 - 24mm	Universal
CA 2912R	Convex	Reg 46	236mm	180mm	Fits: 16 - 20mm	Universal
CA 2920R	Blind Spot	Reg 46	255mm	150mm	Fits: 15 - 28mm	Universal
CA 295R	Blind Spot	Reg 46	190mm	189mm	Fits: 6,8mm	Universal

CA 280R

CONVEX MIRROR HEAD



CA 281R

CONVEX MIRROR HEAD



CA 282R

CONVEX MIRROR HEAD



CA 283R

FLAT MIRROR HEAD



CA 284R

FLAT MIRROR HEAD



Product Code	Type	ECE	Length	Width	Arm	Vehicle
CA 280R	Flat	Reg 46	426mm	200mm	Fits: 15 - 32mm	Commercial Vehicle
CA 281R	Convex	Reg 46	440mm	220mm	Fits: 15 - 28mm	Commercial Vehicle
CA 282R	Convex	Reg 46	250mm	165mm	Fits: 10 - 18mm	Commercial Vehicle
CA 283R	Flat	Reg 46	263mm	160mm	Fits: 10 - 24mm	Commercial Vehicle
CA 284R	Flat	Reg 46	290mm	175mm	Fits: 10 - 18mm	Commercial Vehicle

CONVEX MIRROR HEAD

CA 285R



CONVEX MIRROR HEAD

CA 286R



CONVEX MIRROR HEAD

CA 287R



CONVEX MIRROR HEAD

CA 288R



Product Code	Type	ECE	Length	Width	Arm	Vehicle
CA 285R	Convex	Reg 46	295mm	215mm	Fits: 10 - 24mm	Commercial Vehicle
CA 286R	Convex	Reg 46	314mm	228mm	Fits: 18mm	Commercial Vehicle
CA 287R	Convex	Reg 46	375mm	200mm	Fits: 15 - 28mm	Commercial Vehicle
CA 288R	Convex	Reg 46	410mm	205mm	Fits: 15 - 32mm	Commercial Vehicle



Contents

Electrical Components

Plugs & Sockets	121 - 124	Fuse Holders	133
Automotive Cable	125 - 126	Booster Cables	134
Starter Cable	126	Battery Connectors	135 - 136
Cable Accessories	127 - 128	Electrical Switches	137 - 146
Wiring Accessories	129 - 130	Warning Lights	146
Fuses	131 - 132		

247 Electrical

Visit our website to view all electrical product information
www.247lighting.net





BLCA 9506*

TRAILER TESTER CONNECTOR

- 7 PIN Socket/Plug
- 12V Trailer Board Bulb Tester
- Battery Not Included
- Battery: LR61 9V CELL ALKALINE EP1091



CA 9523

TRAILER TESTER

- 13 PIN Socket/Plug
- 12V Trailer Board Bulb Tester
- Battery Not Included
- Battery: LR61 9V CELL ALKALINE EP1091



BLCA 300*

2 POLE CONNECTOR - 175 AMP

- Housing : PC
- Voltage: 600V
- Sliver Plate Wire Contact
- AWG : #4 TO 1/0
- MM2 : 21.1mm² TO 53.5mm²



CA 305

2 POLE CONNECTOR - 50 AMP

- Housing : PC
- Voltage: 600V
- Sliver Plate Wire Contact
- AWG : #12 TO 1/0
- MM2 : 3.3mm² TO 53.5mm²



EP 600C

3 PIN MALE PLASTIC PLUG

- 12V 3 PIN Plastic Plug
- Nickel Plated Pins
- 6.3mm and 4.8mm Blade Terminals
- Rated at 2 x 25 + 1 x 5 amps Continuous



EP 601C

3 PIN FEMALE PLASTIC SOCKET

- 12V 3 PIN Plastic Socket
- Nickel Plated Pins
- 6.3mm and 4.8mm Blade Terminals
- Rated at 2 x 25 + 1 x 5 amps Continuous



EP 750

SINGLE POLE PLUG

- Single Pole DIN Plug
- 16A Max @ 12V
- 6V - 12V - 24V



EP 751

SINGLE POLE SOCKET

- Single Pole DIN Socket with Cover
- Fits 18mm round
- 6V - 12V - 24V
- 6.3mm flat spade terminals



BLEP 750-1

Blister Pack Available

*This item is Blister Packed and barcoded ready for resale. To purchase this item in bulk without packaging please use the same part number without the "BL" prefix

Plugs & Sockets

CA 310

12V 7 PIN PLUG (ALUMINIUM)

· 'N' type



CA 310P

12V 7 PIN PLUG (PLASTIC)

· 'N' type



CA 311

12V 7 PIN SOCKET (ALUMINIUM)

· 'N' type



CA 311P

12V 7 PIN SOCKET (PLASTIC)

· 'N' type



CA 330P

12V 13 PIN SOCKET (PLASTIC)

· With Fog Pin



CA 331P

12V 13 PIN PLUG (PLASTIC)



CA 318

12V 7 PIN PRE-WIRED SOCKET KIT (PLASTIC)

· 2.05 Metre Cable

· Trailer Socket Bracket



*This item is Blister Packed and barcoded ready for resale. To purchase this item in bulk without packaging please use the same part number without the "BL" prefix

CA 332P

12V 13 PIN PLUG TO 7 PIN SOCKET (PLASTIC)

· 'N' type



CA 333P

12V 7 PIN PLUG TO 13 PIN SOCKET (PLASTIC)

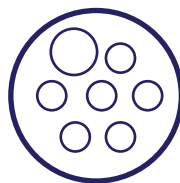
· 'N' type



BLCA 315*

24V 7 PIN COMMERCIAL PLUG (ALUMINIUM)

· 'N' type



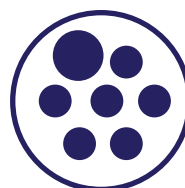
'N-Type' : 7F (One Large)



BLCA 316*

24V 7 PIN COMMERCIAL SOCKET (ALUMINIUM)

· 'N' type



'N-Type' : 7M (One Large)



*This item is Blister Packed and barcoded ready for resale. To purchase this item in bulk without packaging please use the same part number without the "BL" prefix

BLCA 400*

ELECTRICAL SUZIE EXTENSION (c/w 2 x 12v 7 Pin Plug)

- 3 Meter Coil Extended / 12v
- 'N' type Plug



BLCA 401*

ELECTRICAL SUZIE EXTENSION (c/w 2 x 12v 7 Pin Plug)

- 6 Meter Coil Extended / 12v
- 'N' type Plug

BLCA 416*

ELECTRICAL SUZIE EXTENSION (c/w N-Type 12v 7 Pin Plug & Socket)

- 3 Meter Coil Extended / 12v
- 'N' type Plug



BLCA 405*

ELECTRICAL SUZIE EXTENSION (c/w 2 x 12v 7 Pin Sockets)

- 3 Meter Coil Extended / 24v
- 'N' type Plug



CA 402

ELECTRICAL SUZIE EXTENSION (c/w 2 x 12v 13 Pin Sockets)

- 4.5 Meter Coil Extended / 12v
- Plastic Plug
- Ø 70mm Coil Plastic Sheathing



*This item is Blister Packed and barcoded ready for resale. To purchase this item in bulk without packaging please use the same part number without the "BL" prefix

AUTO CABLE SUPPLIED IN REELS / PVC COVER



Product Code	Core	Strand	Wire ϕ mm	Cross Section mm^2	Diameter ϕ mm	Current Amps	Colour	Coil Length Metres
EP 610	Single	14	0.30	1	2.7	8.75	Black	50
EP 610R	Single	14	0.30	1	2.7	8.75	Red	50
EP 611	Single	28	0.30	2	3.4	17.5	Black	50
EP 611R	Single	28	0.30	2	3.4	17.5	Red	50
EP 612	Single	44	0.30	3	4.2	27.5	Black	30
EP 612R	Single	44	0.30	3	4.2	27.5	Red	30
EP 612BR	Single	44	0.30	3	4.2	27.5	Brown	30
EP 613	Single	65	0.30	4.5	5.1	35	Black	30
EP 613R	Single	65	0.30	4.5	5.1	35	Red	30
EP 613BR	Single	65	0.30	4.5	5.1	35	Brown	30
EP 614	2 Core	14	0.30	2 x 1	7 x 4.1	8.75	Black	30
EP 615	2 Core	28	0.30	2 x 2	7.9 x 4.8	17.5	Black	30
EP 616	3 Core	14	0.30	3 x 1	7.5	8.75	Black	30
EP 617	5 Core	14	0.30	5 x 1	8.9	8.75	Black	30
EP 618	7 Core	7 x 9	0.30	7 x 0.65	9.0	5.75	Black	30
EP 6181	7 Core	6 x 14, 1 x 28	0.30	6 x 1, 1 x 2	10.2	6 x 8.75, 1 x 17.5	Black	30
EP 623.10	8 Core	7 x 14, 1 x 28	0.30	7 x 1, 1 x 2.5	10.8	8.75 - 17.5	Black	10
EP 625.10	13 Core	12 x 21, 1 x 35	0.30	12 x 1.5, 1 x 2.5	15.1	12.75 - 21.75	Black	10
EP 614.100M	2 Core	14	0.30	2 x 1	7 x 4.1	8.75	Black	100
EP 615.100M	2 Core	28	0.30	2 x 2	7.9 x 4.8	17.5	Black	100
EP 618 100M	7 Core	7 X 9	0.30	7 x 0.65	9.0	5.75	Black	100

AUTO CABLE SUPPLIED IN RETAIL PACKS / PVC COVER



Product Code	Core	Strand	Wire ϕ mm	Cross Section mm^2	Diameter ϕ mm	Current Amps	Colour	Coil Length Metre
EP 610.10	Single	14	0.30	1	2.7	8.75	Black	10
EP 611.10	Single	28	0.30	2	3.4	17.5	Black	10
EP 612.10	Single	44	0.30	3	4.2	27.5	Black	10
EP 613.10	Single	65	0.30	4.5	5.1	35	Black	10
EP 614.10	2 Core	14	0.30	2 x 1	7 x 4.1	8.75	Black	10
EP 615.10	2 Core	28	0.30	2 x 2	7.9 x 4.8	17.5	Black	10
EP 616.10	3 Core	14	0.30	3 x 1	7.5	8.75	Black	10
EP 617.10	5 Core	14	0.30	5 x 1	8.9	8.75	Black	10
EP 617.05	5 Core	14	0.30	5 x 1	8.9	8.75	Black	5
EP 618.10	7 Core	7 x 9	0.30	7 x 0.65	9.0	5.75	Black	10
EP 618.05	7 Core	7 x 9	0.30	7 x 0.65	9.0	5.75	Black	5

STARTER CABLE SUPPLIED IN REELS / PVC COVER



Product Code	Core	Strand	Wire ϕ mm	Cross Section mm^2	Diameter ϕ mm	Current Amps	Colour	Coil Length Metre
EP 619	Single	196	0.40	25	9.5	170	Black	10
EP 619R	Single	196	0.40	25	9.5	170	Red	10
EP 621	Single	315	0.40	40	12.2	300	Black	10
EP 621R	Single	315	0.40	40	12.2	300	Red	10
EP 620	Single	474	0.40	60	14.5	415	Black	10
EP 620R	Single	474	0.40	60	14.5	415	Red	10

CABLE TIES (Blistered & Barcoded)



Code	Colour	Width	Length	Qty. in Pack
EP 220C	Black	2.5mm	100mm	100
EP 222C	Black	2.5mm	160mm	100
EP 223C	Black	3.6mm	200mm	100
EP 224C	Black	4.8mm	200mm	100
EP 226C	Black	4.8mm	280mm	100
EP 228C	Black	4.8mm	380mm	100
EP 219C	Black	7.6mm	200mm	100
EP 227C	Black	7.6mm	300mm	100
EP 229C	Black	7.6mm	380mm	100
EP 240C	Black	8.8mm	450mm	100
EP 241C	Black	8.8mm	550mm	100
EP 242C	Black	8.8mm	750mm	100
EP 230C	Black	12.4mm	650mm	100
EP 223WC	White	3.6mm	200mm	100
EP 224WC	White	4.8mm	200mm	100
EP 226WC	White	4.8mm	280mm	100
EP 228WC	White	4.8mm	380mm	100
EP 229WC	White	7.6mm	380mm	100
EP 242WC	White	8.8mm	750mm	100
EP 237C	Silver	4.8mm	300mm	100
EP 238C	Silver	4.8mm	380mm	100

BLEP 235

ADHESIVE CABLE TIE BASE

· Qty: 25 / 4.7mm x 28 x 28mm

EP 235

· Qty: 100 / 4.7mm x 28 x 28mm



BLEP 410*

BLACK PVC INSULATION ADHESIVE TAPE

· Qty: 2 / Blistered / 20 Metre Roll / 19mm Wide

EP 410

· Qty: 10 / 20 Metre Roll / 19mm Wide



*This item is Blister Packed and barcoded ready for resale. To purchase this item in bulk without packaging please use the same part number without the "BL" prefix

NYLON CONDUIT



Product	Type	∅ Inside	∅ Outside	Coil Length
EP 146	Split	6.9mm	10mm	25m
EP 147	Split	10.1mm	13mm	25m
EP 148	Split	11.8mm	16mm	25m
EP 149	Split	14.5mm	18.5mm	25m
EP 1495	Split	16.9mm	21.2mm	25m
EP 1521	Split	21.3mm	25.6mm	25m
EP 1525	Split	23.5mm	28.3mm	25m
EP 180	Unsplit	6.9mm	10mm	25m
EP 181	Unsplit	10.1mm	13mm	25m
EP 182	Unsplit	11.8mm	16mm	25m
EP 183	Unsplit	14.5mm	18.5mm	25m
EP 184	Unsplit	16.9mm	21.2mm	25m
EP 185	Unsplit	20.1mm	24.5mm	25m
EP 186	Unsplit	23.5mm	28.3mm	25m

HEAT SHRINK SLEEVE

Product	Colour	∅ Diameter	Coil Length
EP 114	■	4.8mm	75m
EP 114R	■	4.8mm	75m
EP 115	■	6.4mm	75m
EP 115R	■	6.4mm	75m
EP 116	■	9.5mm	75m
EP 116R	■	9.5mm	75m
EP 117	■	3.2mm	150m



AP 250

HEAT SHRINK SUPPLIED IN ASSORTED BOX


Product	Colour	∅ Diameter	Coil Length
AP 250	■ ■	3.2mm, 4.8mm, 6.4mm, 9.5mm, 12.7mm, 19.1mm	Assorted



RED

RED WIRING TERMINAL


Red Term Speaker
EP 339
4.8mm | Qty: 100




Red Term F/ins Spade
EP 341
4.8mm | Qty: 100




Red Term Spade
EP 340
6.3mm | Qty: 100




Red Term F/ins Spade
EP 344
6.3mm | Qty: 100




Red Term Male Blade
EP 343
6.3mm | Qty: 100




Red Term Piggyback
EP 345
6.3mm | Qty: 100




Red Red Term Butt
EP 342
4mm | Qty: 100




Red Term Bullet
EP 346
5mm | Qty: 100




Red Term Socket
EP 347
4mm | Qty: 100



Red Red Ring
EP 352
4.8mm | Qty: 100




Red Term Bullet
EP 353
6.3mm | Qty: 100




BLUE

BLUE WIRING TERMINAL


Blue Term Spade small
EP 299
4.8mm | Qty: 100




Blue Term Spade
EP 300
6.3mm | Qty: 100




Blue Term F/ins Spade
EP 301
6.3mm | Qty: 100




Blue Term Piggyback
EP 302
6.3mm | Qty: 100




Blue Term Male Blade
EP 303
6.3mm | Qty: 100




Blue Term Bullet
EP 304
5mm | Qty: 100




Blue Term Socket
EP305
5mm | Qty: 100




Blue Term Butt
EP 307
5mm | Qty: 100




Blue Term Fork
EP 308
5.3mm | Qty: 100




Blue Term Ring
EP 319
5.3mm | Qty: 100




Blue Term Ring
EP 320
6.4mm | Qty: 100




Blue Term Ring
EP 321
8.4mm | Qty: 100



Blue Term Ring
EP 322
10.5mm | Qty: 100




Blue Term Ring
EP 323
13mm | Qty: 100



YELLOW

YELLOW WIRING TERMINAL


Yellow Term Spade
EP 324
6.3 mm | Qty: 100



Yellow Term F/ins Spade
EP 325
6.3 mm | Qty: 100




Yellow Term Dynamo
EP 326
9.5 mm | Qty: 100




Yellow Term Spade
EP 334
F/ins Dynamo
9.5 mm | Qty: 100



Yellow Term Male Blade
EP 327
6.3 mm | Qty: 100




Yellow Term Piggyback
EP 336
6.3 mm | Qty: 100




Yellow Term Butt
EP 328
6mm | Qty: 100




Yellow Term Bullet
EP 337
5.0 mm | Qty: 100




Yellow Term Socket
EP 338
5.0 mm | Qty: 100




Yellow Term Ring
EP 329
6.3 mm | Qty: 100



Yellow Term Ring
EP 330
8.4 mm | Qty: 100



Yellow Term Ring
EP 331
10.5 mm | Qty: 100



Yellow Term Ring
EP 332
13 mm | Qty: 100




HANDY PACKS AND RETAIL PACKS ALSO AVAILABLE

STRIP CONNECTORS

Code	Description	Amp	Unit
BLEP 380	Strip Connectors	5 Amp	2
BLEP 381	Strip connectors	15 Amp	2
BLEP 382	Strip Connector	30 Amp	1
EP 380	Strip Connectors	5 Amp	10
EP 381	Strip connectors	15 Amp	10
EP 382	Strip Connectors	30 Amp	10



HEATSHRINK WIRE JOINERS

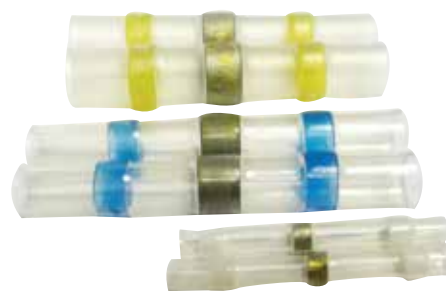
Code	Description	Size	Colour	Unit
EP 100	Insulated Wire Joiner	Small	Red	100
EP 101	Insulated Wire Joiner	Medium	Blue	100
EP 102	Insulated Wire Joiner	Large	Yellow	100



Handy Pack Available

SOLDERED HEATSHRINK WIRE JOINERS

Code	Description	Size	Colour	Unit
EP 110	Heatshrink	0.1mm - 0.5mm ²	Clear	10
EP 111	Heatshrink	0.5mm - 1.5mm ²	Red	25
EP 112	Heatshrink	1.5mm - 2.5mm ²	Blue	25
EP 113	Heatshrink	3.2mm - 6.0mm ²	Yellow	10



Handy Pack Available

EP 360

SCOTHLOCKS

Qty: 100



Handy Pack Available

*This item is Blister Packed and barcoded ready for resale. To purchase this item in bulk without packaging please use the same part number without the "BL" prefix

STANDARD BLADE FUSES



Code	Description	Current	Colour	Unit
EP 020	Standard Blade Fuse	3 Amp	Violet	100
EP 021	Standard Blade Fuse	4 Amp	Pink	100
EP 022	Standard Blade Fuse	5 Amp	Tan	100
EP 023	Standard Blade Fuse	7.5 Amp	Brown	100
EP 024	Standard Blade Fuse	10 Amp	Red	100
EP 025	Standard Blade Fuse	15 Amp	Blue	100
EP 026	Standard Blade Fuse	20 Amp	Yellow	100
EP 027	Standard Blade Fuse	25 Amp	Clear	100
EP 028	Standard Blade Fuse	30 Amp	Green	100
EP 029	Standard Blade Fuse	40 Amp	Brown	100

Handy Pack Available

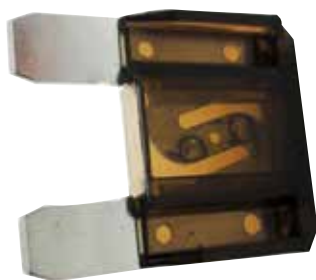
MINI BLADE FUSES



Code	Description	Current	Colour	Unit
EP 019 MINI	Mini Blade Fuse	2 Amp	Gray	50
EP 020 MINI	Mini Blade Fuse	3 Amp	Violet	50
EP 021 MINI	Mini Blade Fuse	4 Amp	Pink	50
EP 022 MINI	Mini Blade Fuse	5 Amp	Tan	100
EP 023 MINI	Mini Blade Fuse	7.5 Amp	Brown	100
EP 024 MINI	Mini Blade Fuse	10 Amp	Red	100
EP 025 MINI	Mini Blade Fuse	15 Amp	Blue	100
EP 026 MINI	Mini Blade Fuse	20 Amp	Yellow	100
EP 027 MINI	Mini Blade Fuse	25 Amp	Clear	100
EP 028 MINI	Mini Blade Fuse	30 Amp	Green	100

Handy Pack Available

MAXI BLADE FUSES



Code	Description	Current	Colour	Unit
EP 026 Maxi	Maxi Blade Fuse	20 Amp	Yellow	10
EP 028 Maxi	Maxi Blade Fuse	30 Amp	Green	10
EP 029 Maxi	Maxi Blade Fuse	40 Amp	Orange	10
EP 030 Maxi	Maxi Blade Fuse	50 Amp	Red	10
EP 031 Maxi	Maxi Blade Fuse	60 Amp	Blue	10
EP 032 Maxi	Maxi Blade Fuse	70 Amp	Amber/Tan	10
EP 033 Maxi	Maxi Blade Fuse	80 Amp	Clear	10
EP 034 Maxi	Maxi Blade Fuse	100 Amp	Violet	10

Handy Pack Available

AP 235

ASSORTED STANDARD BLADE FUSES

- 180 Pieces
- EP 020 3A - EP 029 40A Standard Fuses
- 18 compartments



AP 237

ASSORTED MINI BLADE FUSES

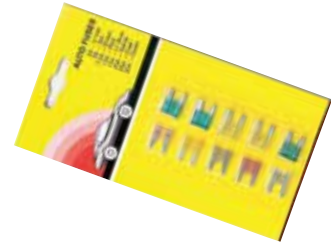
- 105 Pieces
- EP 022 5A - EP 028 30A Mini Fuses
- 7 compartments



AP 233

ASSORTED STANDARD BLADE FUSES

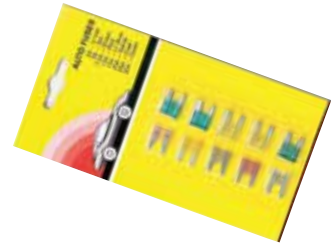
10 Pieces



AP 234

ASSORTED MINI BLADE FUSES

10 Pieces



BOLT ON FUSES



Handy Pack Available

Code	Description	Current	Unit
EP 420	Bolt On Fuse	40 Amp	1
EP 422	Bolt On Fuse	60 Amp	1
EP 424	Bolt On Fuse	80 Amp	1
EP 426	Bolt On Fuse	100 Amp	1
EP 428	Bolt On Fuse	125 Amp	1
EP 430	Bolt On Fuse	150 Amp	1
EP 432	Bolt On Fuse	175 Amp	1
EP 434	Bolt On Fuse	200 Amp	1
EP 436	Bolt On Fuse	225 Amp	1
EP 438	Bolt On Fuse	250 Amp	1
EP 439	Bolt On Fuse	300 Amp	1
EP 441	Bolt On Fuse	500 Amp	1

BLEP 039* / Qty: 2

IN-LINE BLADES FUSE HOLDER

- Interlock To Make Fuse Block
- 1-35 Amp Fuse Holder
- 6.3mm X 2 Blade Terminal



BLEP 039 MAXI*

MAXI BLADE FUSE HOLDER

- Interlock To Make Fuse Block
- 4mm - 6mm Blade Terminal



EP 039 / Qty: 10

Handy Pack Available

BLEP 044*

MEGA BLADE FUSE HOLDER

- Interlock To Make Fuse Block
- 2mm - 8mm Cable Stud Connector



BLEP 773*

8 WAY JUNCTION BOX



STANDARD BLADE FUSE BOX*

Code	Description	Function	Unit
BLEP 785	8 X 6.3mm Male Terminal Fitting	4 Way	1
BLEP 786	12 X 6.3mm Male Terminal Fitting	6 Way	1



BLEP 042*

SPLASH PROOF BLADE FUSE HOLDER

Standard Type / Qty: 2

- Standard Blade Fuse up to 35A Fuse
- Fitted with 130mm of 4mm (12 AWG) cable at each end



EP 045

Mini Type / Qty: 10

- Mini Blade Fuse up to 30A Fuse
- Fitted with 130mm of 4mm (12 AWG) cable at each end



EP 042

Standard Type / Qty: 10

Handy Pack Available on some products

EP 046

Maxi Type / Qty: 10

- Maxi Blade Fuse up to 100A Fuse



RELAYS

Handy Pack Available



Code	Description	Voltage	Current
EP REL6	4 Pin	24v	20 Amp

Code	Description	Voltage	Current
BLEP REL15	4 Pin	12v	35/40 Amp
BLEP REL7	5 Pin	12v	20/30 Amp
BLEP REL8	5 Pin	24v	10/20 Amp

*This item is Blister Packed and barcoded ready for resale. To purchase this item in bulk without packaging please use the same part number without the "BL" prefix

Booster Cables

BOOSTER CABLES

· Copper Coated Aluminium

Code	Description	Metres	Diameter	AMP
EP 059	Light Duty	2.5 metres	16mm	400 Amp
EP 061	Medium Duty	3.5 metres	25mm	500 Amp
EP 060	Heavy Duty	3.5 metres	35mm	600 Amp
EP 062	Extra Heavy Duty	4.5 metres	50mm	800 Amp



BOOSTER CABLE GRIPS (LIGHT DUTY)

BLEP 060B

BLEP 060R

BOOSTER CABLE GRIPS (HEAVY DUTY)

BLEP 063B

BLEP 063R

Code	Description	Grip	Colour
BLEP 060B	Light Duty	✓	Black
BLEP 060R	Light Duty	✓	Red
BLEP 063B	Heavy Duty	✓	Black
BLEP 063R	Heavy Duty	✓	Red



REP 392

CROCODILE CLIPS (25 AMP)

Handy Pack Available

EP 393

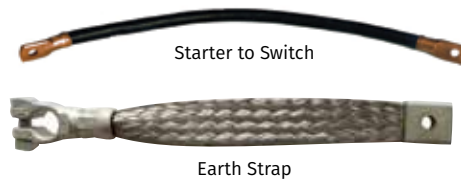
CROCODILE CLIPS (50 AMP)



*This item is Blister Packed and barcoded ready for resale. To purchase this item in bulk without packaging please use the same part number without the "BL" prefix

BATTERY LEADS & EARTH STRAPS

EXTRA HEAVY DUTY



Product	Type	Size	Cable Dia	Pole	Description	Length (in)
Ep 820	Battery to Battery	40mm ² x 245mm	Ø13mm	Ø17mm	PVC Coated, Brass Tin Plated	12 Inch
Ep 821	Battery to Battery	40mm ² x 380mm	Ø13mm	Ø17mm	PVC Coated, Brass Tin Plated	18 Inch
Ep 830	Starter to Switch	50mm ² x 225mm x Ø8mm Hole	Ø12mm	-	PVC Coated, Brass Tin Plated	12 Inch
Ep 831	Starter to Switch	50mm ² x 380mm x Ø8mm Hole	Ø12mm	-	PVC Coated, Brass Tin Plated	18 Inch
Ep 832	Starter to Switch	50mm ² x 530mm x Ø8mm Hole	Ø12mm	-	PVC Coated, Brass Tin Plated	24 Inch
Ep 840	Earth Strap	50mm ² x 180mm x Ø8mm Hole	-	17mm	Braided Copper Wire, Tinned, Brass Tin Plated	9 Inch
Ep 841	Earth Strap	50mm ² x 225mm x Ø8mm Hole	-	17mm	Braided Copper Wire, Tinned, Brass Tin Plated	12 Inch
Ep 843	Earth Strap	50mm ² x 410mm x Ø8mm Hole	-	17mm	Braided Copper Wire, Tinned, Brass Tin Plated	18 Inch
Ep 844	Earth Strap	50mm ² x 560mm x Ø8mm Hole	-	17mm	Braided Copper Wire, Tinned, Brass Tin Plated	24 Inch
Ep 850	Earth Strap & Ins.*	50mm ² x 225mm x Ø10mm Hole	Ø13mm	17mm	PVC Coated, Brass Tin Plated	12 Inch
Ep 851	Earth Strap & Ins.*	50mm ² x 385mm x Ø10mm Hole	Ø13mm	17mm	PVC Coated, Brass Tin Plated	18 Inch
Ep 852	Earth Strap & Ins.*	50mm ² x 600mm x Ø10mm Hole	Ø13mm	17mm	PVC Coated, Brass Tin Plated	24 Inch

CABLE LUGS

Handy Pack Available



BLEP 210





Cable Lug 12pce Assortment

Code	Hole	Cable	Inner	Outer	Size (L x W)	Type	Unit
BLEP 200*	Ø8mm	35mm ²	Ø8.6mm	Ø10.8mm	16 x 36mm	Bell shape, Tin Coated	2
EP 200*	Ø8mm	35mm ²	Ø8.6mm	Ø10.8mm	16 x 36mm	Bell shape, Tin Coated	10
BLEP 201*	Ø10mm	35mm ²	Ø8.6mm	Ø10.8mm	16 x 40mm	Bell shape, Tin Coated	2
EP 201*	Ø10mm	35mm ²	Ø8.6mm	Ø10.8mm	16 x 40mm	Bell shape, Tin Coated	10
BLEP 202*	Ø12mm	35mm ²	Ø8.6mm	Ø10.8mm	18 x 44mm	Bell shape, Tin Coated	2
EP 202*	Ø12mm	35mm ²	Ø8.6mm	Ø10.8mm	18 x 44mm	Bell shape, Tin Coated	10
BLEP 203*	Ø8mm	50mm ²	Ø9.6mm	Ø11.8mm	18 x 42mm	Bell shape, Tin Coated	2
EP 203*	Ø8mm	50mm ²	Ø9.6mm	Ø11.8mm	18 x 42mm	Bell shape, Tin Coated	10
BLEP 204*	Ø10mm	50mm ²	Ø9.6mm	Ø11.8mm	18 x 42mm	Bell shape, Tin Coated	2
EP 204*	Ø10mm	50mm ²	Ø9.6mm	Ø11.8mm	18 x 42mm	Bell shape, Tin Coated	10
BLEP 205*	Ø10mm	70mm ²	Ø12mm	Ø15mm	22 x 47mm	Bell shape, Tin Coated	2
EP 205*	Ø10mm	70mm ²	Ø12mm	Ø15mm	22 x 47mm	Bell shape, Tin Coated	10
EP 209	Ø12mm	50mm ²	Ø9.6mm	Ø11.8mm	19 x 43mm	Bell shape, Tin Coated	10
EP 206	Ø12mm	70mm ²	Ø12mm	Ø15mm	22 x 47mm	Bell shape, Tin Coated	10
EP 207	Ø12mm	95mm ²	Ø13.5mm	Ø16.5mm	24 x 52mm	Bell shape, Tin Coated	10
EP 208	Ø14mm	120mm ²	Ø15mm	Ø19mm	26 x 57mm	Bell shape, Tin Coated	10

*This item is Blister Packed and barcoded ready for resale. To purchase this item in bulk without packaging please use the same part number without the "BL" prefix

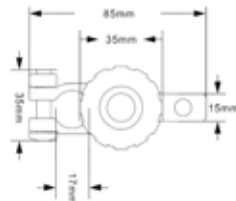
BATTERY TERMINALS

Handy Pack Available

	Code	Hole/Size	Cable	Pole	Type	Description	Unit
 Car	EP 164	Ø9mm	25 - 35mm ²	+ / Ø19mm	Car	Brass Tin Plated	10
	EP 163	Ø9mm	25 - 35mm ²	- / Ø17mm	Car	Brass Tin Plated	10
 Tractor	BLEP 153-4	Ø11mm	-	+ / -	Tractor	-	2
	EP 153	Ø11mm	35 - 50mm ²	+ / Ø19mm	Tractor	Brass Tin Plated	10
	EP 154	Ø11mm	35 - 50mm ²	- / Ø17mm	Tractor	Brass Tin Plated	10
 Truck	EP 157	Ø14mm	50 - 70mm ²	+ / Ø19mm	Truck	Brass Tin Plated	10
	EP 158	Ø14mm	50 - 70mm ²	- / Ø17mm	Truck	Brass Tin Plated	10
 Stud Lug Bolt	EP 167	Ø8mm x 22mm	25 - 70mm ²	- / Ø17mm	Stud Lug Bolt	Brass Tin Plated	10
	EP 168	Ø8mm x 22mm	25 - 70mm ²	+ / Ø19mm	Stud Lug Bolt	Brass Tin Plated	10
	BLEP 165-6	Ø10mm	-	+ / -	Stud Lug Bolt	Brass Tin Plated	2
	EP 165	Ø10mm x 22mm	25 - 70mm ²	+ / Ø19mm	Stud Lug Bolt	Brass Tin Plated	10
	EP 166	Ø10mm x 22mm	25 - 70mm ²	- / Ø17mm	Stud Lug Bolt	Brass Tin Plated	10

EP 155*

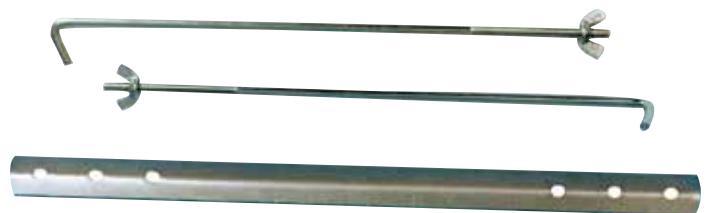
BRASS BATTERY CUT OFF TERMINAL



Product	Cable	Voltage	Amps	Features	Finish
EP 155	25 - 75mm ²	12v/24v	5000 Amp Surge, 125 Amp Continuous@12v	Terminal Fits on Negative Post Heavy Duty, Power Disconnect, Easy Installation	Zinc, Brass Colour

EP 145

BATTERY HOLDING BRACKET



*This item is Blister Packed and barcoded ready for resale. To purchase this item in bulk without packaging please use the same part number without the "BL" prefix

BLEP 740*

BATTERY ISOLATOR SWITCH

- Supplied individually boxed with one key
- 66mm*57mm*Ø24mm Hole
- M10
- Removeable Switch



BLEP 735*

Replacement Key

BLEP 741

12V MASTER BATTERY ISOLATOR SWITCH

- Battery Isolator with removable key and splashproof cover
- With Independent ignition switching and controlled earth leakage through a resistor to avoid damage through load dumping
- M10 Studs



BLEP 742*

BATTERY ISOLATOR SWITCH

- Supplied individually boxed with one key
- 123mm*120mm*Ø65mm Hole
- M24
- Removeable Switch



BLEP 742K*

Replacement Key

Product	Description	Amp	Functions	Splashproof
BLEP 740	Isolator / Light duty	100A cont.@12v / 500A peak for 5 seconds	Removable Key, Fixed Handle	✓ (Cover)
BLEP 741	12v Isolator Switch	100A cont.@12v / 500A peak for 5 seconds	Removable Key	✓ (Cover)
BLEP 742	Isolator / Heavy Duty	250A cont.@12v / 2500A peak for 10 seconds	Removable Key, Fixed Handle	✓ (Cover)

*This item is Blister Packed and barcoded ready for resale. To purchase this item in bulk without packaging please use the same part number without the "BL" prefix

BLEP 745

EMERGENCY STOP HEAVY DUTY PUSH BUTTON BATTERY ISOLATOR SWITCH

- Heavy Duty
- 12/24V Compatible
- Fixed Key



BLEP 744*

FIXED HANDLE ISOLATOR SWITCH

- Heavy Duty
- 133mm*68mm*Ø68mm Hole
- M10
- Fixed Key



BLEP 719*

ISOLATOR SWITCH

- 90mm*43mm*Ø10mm Hole
- M10
- Fixed Key



BLEP 711*

ECONOMY IGNITION SWITCH

Off / Ignit / Pre-Heat / Start

BLEP 714*

Spare Key to suit

BLEP 711 / BLEP 718



BLEP 718*

LUCAS IGNITION SWITCH

Off / Ignit / Pre-Heat / Start

BLEP 714*

Spare Key to suit

BLEP 711 / BLEP 718



Product	Description	Amp	Fitting	Functions	Splashproof
BLEP 745	Emergency Stop Isolator Switch	250A continuous @24v / 2500A peak for 10 Sec	-	Fixed Key	✓
BLEP 744	Fixed Handle Isolator Switch	250A continuous @24v / 2500A Peak for 10 sec.	30mm	Fixed Handle	✓
BLEP 719	Isolator / Light Duty	100A continuous @24v / 500A Peak for 10 sec.	19mm	Fixed Handle	✓
BLEP 711	Economy Switch	Not Insulated	16mm Hole	4 Position Switch	-
BLEP 718	Lucas Ignition Switch	Not Insulated	16mm Hole	4 Position Switch	-

*This item is Blister Packed and barcoded ready for resale. To purchase this item in bulk without packaging please use the same part number without the "BL" prefix

BLEP 730*
HEAD LAMP SWITCH*



BLEP 722C
RED SWITCH (AIRCRAFT STYLE) COVER

Used for: EP 701 / EP 709Q
EP 706 / BLEP 700 / BLEP 707



EP 747
3 HOLE ALUMINIUM PANEL WITH SWITCHES

Comes with:

- EP 701 (2 way Flick Switch)
- EP 796 (Red warning Light)
- EP 729Q (Horn Button)
- EP 722C (Aircraft Style Switch Cover)



EP 748
5 HOLE ALUMINIUM PANEL WITH SWITCHES

Comes with:

- EP 701 x 2 (2 way Flick Switch)
- EP 796 x 1 (Red warning Light)
- EP 729Q x 1 (Horn Button)
- EP 797 x 1 (Green Warning Light)
- EP 722C x 1 (Aircraft Style Switch Cover)



Product	Description	Fitting	Functions
BLEP 730	Horn / Head Light	Suit: Massey / David Brown	3 Position Switch
BLEP 733	Head Light	Suit: Ford	On
BLEP 722C	Aircraft Style Switch Cover	Suit: EP 701 / EP 706 / BLEP 700 / BLEP 707 / EP 709Q	-
EP 747	3 Hole Aluminium Panel w/Switches	Incl: EP 701 / BLEP 796 / BLEP 729Q / BLEP 722C	-
EP 748	5 Hole Aluminium Panel w/Switches	Incl: EP 701 X 2 / BLEP 796 X 1 / BLEP 729Q X 1 / BLEP 797 X 1 / BLEP 722C X 1	-

*This item is Blister Packed and barcoded ready for resale. To purchase this item in bulk without packaging please use the same part number without the "BL" prefix

BLEP 723*

PUSH BUTTON SWITCH

Handy Pack Available



BLEP 725*

PUSH BUTTON SWITCH

Splashproof



BLEP 736

PUSH BUTTON MOMENTARY SWITCH



BLEP 734

PUSH BUTTON MOMENTARY SWITCH



BLEP 729Q

PUSH BUTTON MOMENTARY SWITCH

Heavy Duty · Screw Terminals

Comes with Splashproof Cover



Product	Description	Position	Amp	Volts	Fitting	Connection	SplashProof
BLEP 723	Push Button Switch	Momentary On	12.5 Amp	12v	Ø21mm (Round)	Screw Terminal	✓
BLEP 725	Push Button Switch	Momentary On	16 Amp	12v	Ø19mm (Round)	Screw Terminal	✓
BLEP 736	Brass Plated Switch	Momentary On	20 Amp	12v	Ø19mm (Round)	Screw Terminal	-
BLEP 734	Push Button Switch	Momentary On	16 Amp	12v	42 x 26mm (Slot)	2 Pins	-
BLEP 729Q	Push Button Die Cast Switch	Momentary On	30 Amp	12v	Ø16mm (Round)	Screw Terminal	✓

*This item is Blister Packed and barcoded ready for resale. To purchase this item in bulk without packaging please use the same part number without the "BL" prefix

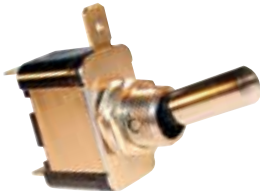
BLEP 705*
PUSH PULL SWITCH



BLEP 702*
SPRING LOADED SWITCH



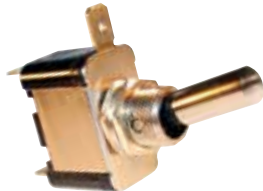
BLEP 701*
2 WAY SWITCH



BLEP 701C
 Cover Available

Handy Pack Available

BLEP 706*
2 WAY SWITCH



Handy Pack Available

EP 737
DOOR / ALARM SWITCH

Short Plunger



EP 738
DOOR / ALARM SWITCH

Long Plunger



Product	Description	Amp	Volts	Fitting	LED	Functions	Field Connection
BLEP 705	Push / Pull Switch	16 Amp	12v	7.5mm Hole	-	On / Off	-
BLEP 702	2 Way Switch	25 Amp	12v	12.5mm	-	Biased Off	2 Pin
BLEP 701	2 Way Switch	25 Amp	12v	12.5mm	-	On / Off	2 Pin
BLEP 706	2 Way Switch	25 Amp	12v	12.5mm	Amber	On / Off	2 Pin
EP 737	Door Alarm Switch - Short	20 Amp	-	34mm x 16.3mm	-	On / Off	-
EP 738	Door Alarm Switch - Long	20 Amp	-	34mm x 16.3mm	-	On / Off	-

*This item is Blister Packed and barcoded ready for resale. To purchase this item in bulk without packaging please use the same part number without the "BL" prefix

Electrical Switches

BLEP 703Q*
3 WAY SWITCH

BLEP 701C
Cover Available

Handy Pack Available



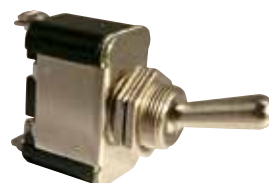
BLEP 709Q*
3 WAY SWITCH

BLEP 701C
Cover Available

Handy Pack Available



BLEP 700
2 WAY FLICK TOGGLE SWITCH



BLEP 775A
2 WAY FLICK SWITCH



BLEP 775B
2 WAY FLICK SWITCH



BLEP 775G
2 WAY FLICK SWITCH



BLEP 775R
2 WAY FLICK SWITCH



Product	Description	Position	Amp	Volts	Bulb	Panel Fitting	Connection	Colour
BLEP 703Q	3 Way Switch / Spring	Biased Off	25 Amp	12v	-	12.5mm	3 Pins	-
BLEP 709Q	3 Way Switch	On / Off / On	25 Amp	12v	-	12.5mm	3 Pins	-
BLEP 700	2 Way Toggle Switch	On / Off	25 Amp	12v	-	Ø12.5mm (Round)	Screw Terminal	-
BLEP 775A	2 Way Flick Switch	On / Off	20 Amp	12v	12v	Ø12.5mm (Round)	3 Pins	Amber
BLEP 775B	2 Way Flick Switch	On / Off	20 Amp	12v	12v	Ø12.5mm (Round)	3 Pins	Blue
BLEP 775G	2 Way Flick Switch	On / Off	20 Amp	12v	12v	Ø12.5mm (Round)	3 Pins	Green
BLEP 775R	2 Way Flick Switch	On / Off	20 Amp	12v	12v	Ø12.5mm (Round)	3 Pins	Red

*This item is Blister Packed and barcoded ready for resale. To purchase this item in bulk without packaging please use the same part number without the "BL" prefix

BLEP 752*
ROCKER SWITCH



BLEP 761*
ROCKER SWITCH



BLEP 765*
MINI ROCKER SWITCH



BLEP 766
BLEP 767
BLEP 768
BLEP 769
LED MINI ROCKER SWITCHES



Handy Pack Available

Product	Description	Position	Amp	Volts	Panel Fitting	Connection	Colour
BLEP 752	Rocker Switch	On / Off	16 Amp	12v	12 x 30mm	2 Male Pins	-
BLEP 761	Rocker Switch	On / Off	20 Amp	12v	20 x 34.5mm	2 Double Pins	-
BLEP 765	Mini Rocker Switch	On / Off	16 Amp	12v	13 x 18.5mm	2 Double Pins	-
BLEP 766	Mini Rocker Switch	On / Off	10 Amp	12v	20mm	3 Pins	Amber
BLEP 767	Mini Rocker Switch	On / Off	10 Amp	12v	20mm	3 Pins	Blue
BLEP 768	Mini Rocker Switch	On / Off	10 Amp	12v	20mm	3 Pins	Green
BLEP 769	Mini Rocker Switch	On / Off	10 Amp	12v	20mm	3 Pins	Red

BLEP 762*
 BLEP 763*
 BLEP 764*
 LED ROCKER SWITCHES*



BLEP 753*
 BLEP 754*
 BLEP 755*
 BLEP 756*
 ILLUMINATED ROCKER SWITCHES*



BLEP 757*
 BLEP 758*
 BLEP 759*
 BLEP 760*
 ILLUMINATED ROCKER SWITCHES*



Product	Description	Position	Amp	Volts	Panel Fitting	Connection	Colour
BLEP 762	LED Rocker Switch	On / Off	20 Amp	12v	20 x 34.5mm	2 Double Pins	Amber
BLEP 763	LED Rocker Switch	On / Off	20 Amp	12v	20 x 34.5mm	2 Double Pins	Green
BLEP 764	LED Rocker Switch	On / Off	20 Amp	12v	20 x 34.5mm	2 Double Pins	Red
BLEP 753	Illuminated Rocker Switch	On / Off	20 Amp	12v	12 x 30mm	3 Pins	Amber
BLEP 754	Illuminated Rocker Switch	On / Off	20 Amp	12v	12 x 30mm	3 Pins	Blue
BLEP 755	Illuminated Rocker Switch	On / Off	20 Amp	12v	12 x 30mm	3 Pins	Green
BLEP 756	Illuminated Rocker Switch	On / Off	20 Amp	12v	12 x 30mm	3 Pins	Red
BLEP 757	Illuminated Rocker Switch	On / Off	16 Amp	12v	12.5mm	3 Pins	Amber
BLEP 758	Illuminated Rocker Switch	On / Off	16 Amp	12v	12.5mm	3 Pins	Blue
BLEP 759	Illuminated Rocker Switch	On / Off	16 Amp	12v	12.5mm	3 Pins	Green
BLEP 760	Illuminated Rocker Switch	On / Off	16 Amp	12v	12.5mm	3 Pins	Red

*This item is Blister Packed and barcoded ready for resale. To purchase this item in bulk without packaging please use the same part number without the "BL" prefix

BLEP 774A
ROCKER SWITCH



BLEP 774B
ROCKER SWITCH



BLEP 774G
ROCKER SWITCH



BLEP 774R
ROCKER SWITCH



BLEP 771
MINI ROCKER SWITCH



BLEP 772
MINI ROCKER SWITCH



Product	Description	Position	Amp	Volts	Bulb	Panel Fitting	Connection	Colour
BLEP 774A	Illuminated Rocker Switch	On / Off	10 Amp	12v	12v	Ø20mm (Round)	3 Pins	Amber
BLEP 774B	Illuminated Rocker Switch	On / Off	10 Amp	12v	12v	Ø20mm (Round)	3 Pins	Blue
BLEP 774G	Illuminated Rocker Switch	On / Off	10 Amp	12v	12v	Ø20mm (Round)	3 Pins	Green
BLEP 774R	Illuminated Rocker Switch	On / Off	10 Amp	12v	12v	Ø20mm (Round)	3 Pins	Red
BLEP 771	Mini Rocker Switch	On / On	10 Amp	12v	-	Ø20mm (Round)	3 Pins	-
BLEP 772	Mini Rocker Switch	On / Off / On	10 Amp	12v	-	Ø20mm (Round)	3 Pins	-

*This item is Blister Packed and barcoded ready for resale. To purchase this item in bulk without packaging please use the same part number without the "BL" prefix

BLEP 776

ROCKER SWITCH

4 Pin

· Comes with assorted symbols / lenses



BLEP 777

ROCKER SWITCH

3 Pin

· Comes with assorted symbols / lenses



Product	Description	Position	Amp	Volts	Bulb	Panel Fitting	Connection	Colour
BLEP 776	Illuminated Rocker Switch	On / Off	20 Amp	12v	12v	24 x 34mm (Slot)	4 Pins	Assorted
BLEP 777	Illuminated Rocker Switch	On / Off	20 Amp	12v	12v	24 x 34mm (Slot)	3 Pins	Assorted

BLEP 795

BLEP 796*

BLEP 797

BLEP 798

WARNING LIGHTS



Bulb Illuminated

BLEP 804*

WARNING LIGHTS



Handy Pack Available

Product	Description	Amp	Volts	Panel Fitting	Connection	Colour
BLEP 795	Bulb Illuminated Warning Light	1 Amp	12v	12mm	2 Pins	Amber
BLEP 796*	Bulb Illuminated Warning Light	1 Amp	12v	12mm	2 Pins	Red
BLEP 797	Bulb Illuminated Warning Light	1 Amp	12v	12mm	2 Pins	Green
BLEP 798	Bulb Illuminated Warning Light	1 Amp	12v	12mm	2 Pins	Blue
BLEP 804	Warning Light	-	12v	18mm	Screw Terminal	Red

*This item is Blister Packed and barcoded ready for resale. To purchase this item in bulk without packaging please use the same part number without the "BL" prefix





WWW.247LIGHTING.NET



WWW.247LIGHTING.NET



Various small automotive electrical components in red packaging, including fuses, relays, and connectors.

Various automotive electrical components in red packaging, including fuses, relays, and connectors.

Various automotive electrical components in red packaging, including fuses, relays, and connectors.

Jump Lead Grip, 8 Way Junction Box, and other automotive electrical components in red packaging.

Battery Leads, Five Core Automotive Cables, and other automotive electrical components in red packaging.

Cable Ties in clear plastic packaging.

Heavy Duty Booster Cables in large circular packaging.

LED Work Lamp in red packaging.

LED Work Lamp in red packaging.

LED Work Lamp in red packaging.

LED Work Lamp in red packaging.

LED Magnetic Trailer Lamp in red packaging.

LED Magnetic Trailer Lamp in red packaging.

Small automotive electrical components in red packaging.

Small automotive electrical components in red packaging.

Small automotive electrical components in red packaging.

Small automotive electrical components in red packaging.

Small automotive electrical components in red packaging.



merchandisers

Mechandisers to fit all our customer needs, from small & compact to larger wall displays.

In addition to optimising your shop floor space, these stands display the products effectively, highlighting their benefits and features.

All merchandisers fit together creating an impressive display for any shop unit.

The following pages illustrate the various merchandisers now available including our two working display models.

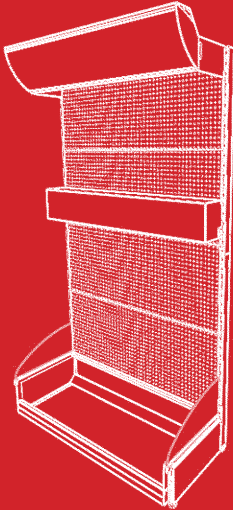
247 MERCHANDISER SPECIFICATIONS

CA 9972

Lighting Stand

W128cm x H233cm x D55cm

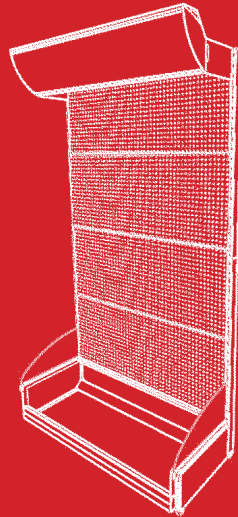
(Includes working Display Unit)



CA 9920

Electrical Stand

W128cm x H233cm x D55cm

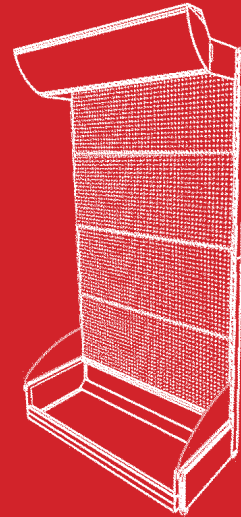


CA 9940

Combi Stand

W128cm x H233cm x D55cm

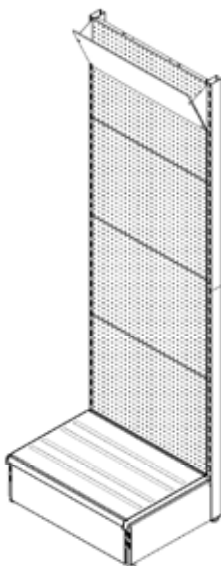
(Includes working Display Unit)



CA 9916 (Mini Display)

247 Electrical Merchandiser

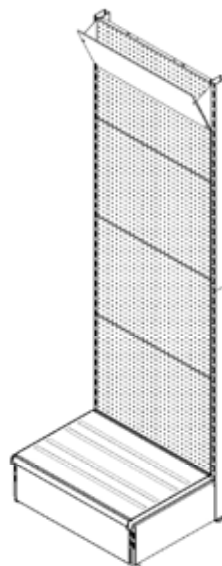
W70cm x H224cm x D55cm



CA 9914 (Mini Display)

247 LED Merchandiser

W70cm x H224cm x D55cm



Allows for optimisation of space.

Presents products in an appealing and attractive display.

Utilizes working display unit for visual demonstration, highlighting their features and benefits.

Educates the customer about products in an effective and creative way.

Related products are easily located, making it easier for customers to self-select.

CA 9972

247 LIGHTING STAND

- 1280mm x 2330mm Stand
- Working Display Unit

WORKING
DISPLAY UNIT



2330mm

1280mm

CA 9920

247 ELECTRICAL STAND

• 1280mm x 2330mm Stand



1280mm

CA 9940

247 COMBI STAND

- 1280mm x 2330mm Stand
- Lighting and Electrical Combination

WORKING DISPLAY UNIT

2330mm



1280mm

CA 9914

247 LED MERCHANDISER

CA 9916

247 ELECTRICAL MERCHANDISER

- 2340mm x 700mm Stand
- Both Sold Separately



CA 9906

247 MIRROR
FLOOR DISPLAY STAND



CA 9902

EXPLORER
COUNTER DISPLAY STAND

· Working Display Unit



CA 9909

4 X BEACON
COUNTER DISPLAY STAND

· Working Display Unit



CA 9903

REG65 BEACON
COUNTER
DISPLAY STAND

· Working Display Unit



CA 9761

REVERSING CAMERA
COUNTER DISPLAY STAND



247 BEACON STAND

247 BEACON
FLOOR DISPLAY STAND



247 COUNTER DISPLAYS

CONTACT SALES FOR DETAILS



247 Handy Packs



Maintenance in the Palm of your Hand...



👍 ELECTRICAL CONNECTORS



👍 FASTENERS

👍 GREASING



👍 TUBE FITTINGS

👍 HOSE CONNECTORS

Part No: AP 1000

*A Little Bit of What You Need
When You Need It ...*

** FULL RANGE OF PRODUCT AVAILABLE ON REQUEST



IRELAND: 090 9673232

UK: 0121 6474857

INTL: ++353 90 9673232

sales@247lighting.net

www.247lighting.net